



Chipsmall Limited consists of a professional team with an average of over 10 year of expertise in the distribution of electronic components. Based in Hongkong, we have already established firm and mutual-benefit business relationships with customers from,Europe,America and south Asia,supplying obsolete and hard-to-find components to meet their specific needs.

With the principle of “Quality Parts,Customers Priority,Honest Operation,and Considerate Service”,our business mainly focus on the distribution of electronic components. Line cards we deal with include Microchip,ALPS,ROHM,Xilinx,Pulse,ON,Everlight and Freescale. Main products comprise IC,Modules,Potentiometer,IC Socket,Relay,Connector.Our parts cover such applications as commercial,industrial, and automotives areas.

We are looking forward to setting up business relationship with you and hope to provide you with the best service and solution. Let us make a better world for our industry!



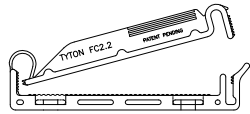
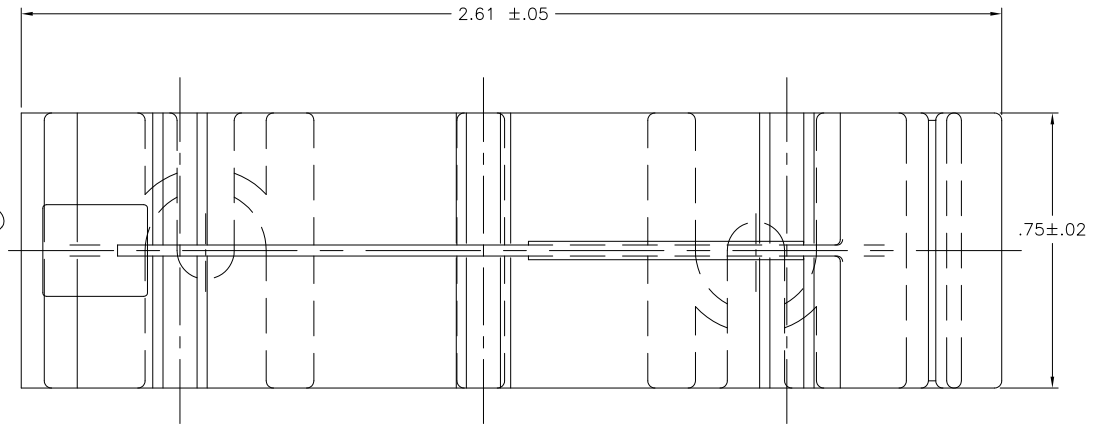
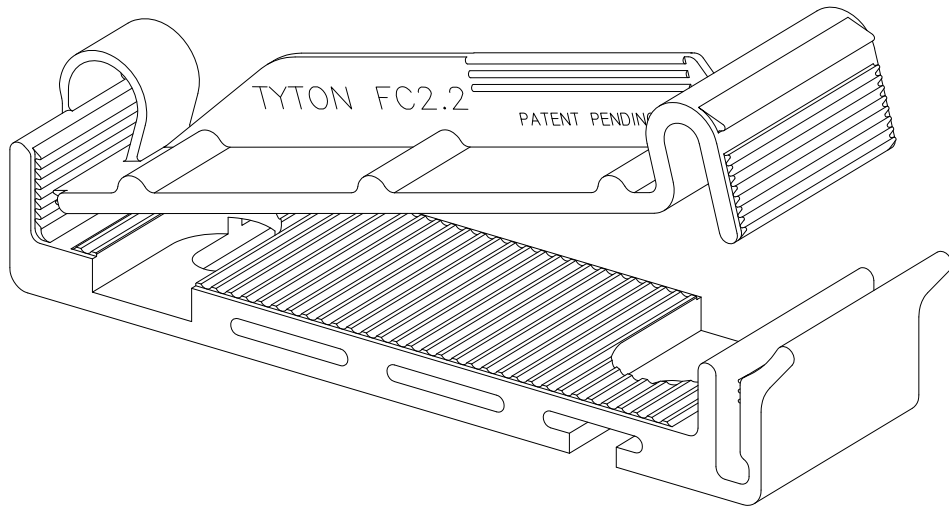
## Contact us

Tel: +86-755-8981 8866 Fax: +86-755-8427 6832

Email & Skype: info@chipsmall.com Web: www.chipsmall.com

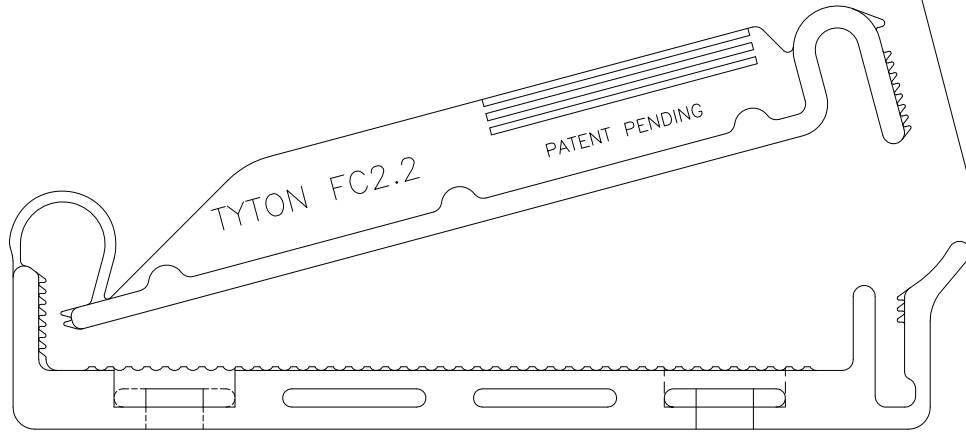
Address: A1208, Overseas Decoration Building, #122 Zhenhua RD., Futian, Shenzhen, China



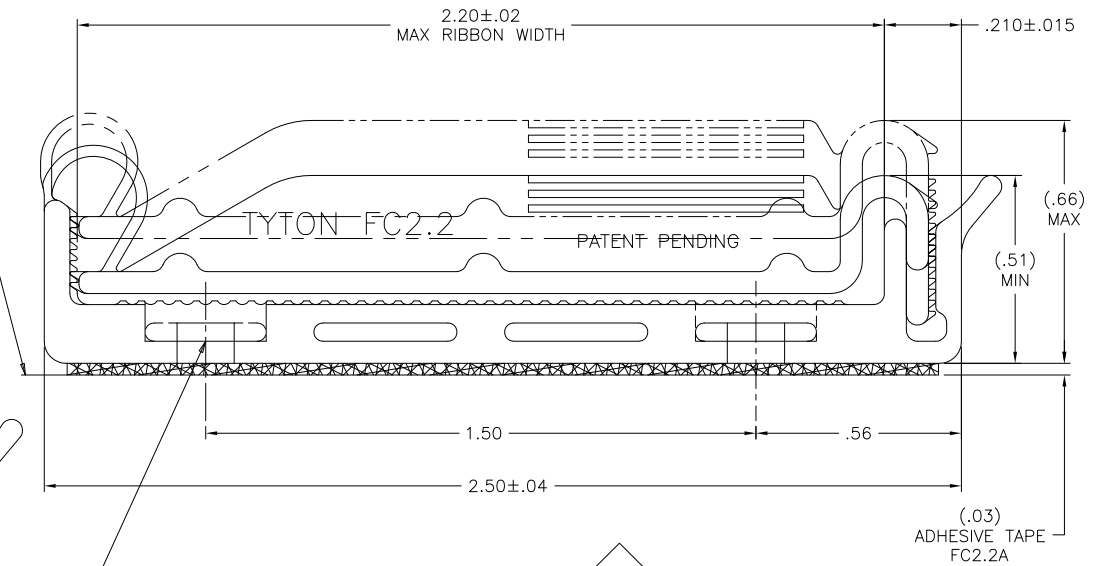


AS MOLDED  
FULL SIZE

EXTENDED TAB ON  
RELEASABLE LINER



AS MOLDED



SLOTTED FOR #6 MOUNTING SCREW

REDUCED  
NO SCALE

CATALOG NUMBER	MOUNTING METHOD	CLAMP RANGE	
		MIN	MAX
FC2.2	#6 SCREW	.030	.180
FC2.2A	ADHESIVE TAPE		

**HellermannTyton**

ALL PROPRIETARY RIGHTS IN THE SUBJECT MATTER SHOWN ON THIS DRAWING ARE EXCLUSIVE PROPERTY OF HELLERMANNTYTON

name	date	city, state
X XXXXXX	XX/XX/XX	XXXXXXXX, WI

NOTES

1. WIRE CAPACITY = 1 TO 5 (28 AWG 7/36) FLAT RIBBON CABLES WITH UP TO 40 CONDUCTORS.

REVISION	level	02
	date	05/18/10
	by	AAC
	ECN #	011xxx
	part level	E

DIMENSIONS	.xxx = ±.0005
	.xxx = ±.005
	.xx = ±.01
	.x = ±.03
	∠ = ±0.5°
unless otherwise specified	
units inches	

PART	number	SEE CHART	phase	PRODUCTION
	name	FC2.2 ADJUSTABLE FLAT RIBBON CLAMP		
	material	NYLON 6/6 NATURAL, GRAY, OR BLACK		

DRAWING	FORNAT C version	M	CAD	ACAD	scale	4X
	computer file number	CP\CST\3002003_02			previous number	
	date	07/05/95	date	05/18/10	approved	
	type	CUSTOMER			sheet	1 of 1
	number	CP3002003CST				