



Chipsmall Limited consists of a professional team with an average of over 10 year of expertise in the distribution of electronic components. Based in Hongkong, we have already established firm and mutual-benefit business relationships with customers from,Europe,America and south Asia,supplying obsolete and hard-to-find components to meet their specific needs.

With the principle of “Quality Parts,Customers Priority,Honest Operation,and Considerate Service”,our business mainly focus on the distribution of electronic components. Line cards we deal with include Microchip,ALPS,ROHM,Xilinx,Pulse,ON,Everlight and Freescale. Main products comprise IC,Modules,Potentiometer,IC Socket,Relay,Connector.Our parts cover such applications as commercial,industrial, and automotives areas.

We are looking forward to setting up business relationship with you and hope to provide you with the best service and solution. Let us make a better world for our industry!



## Contact us

Tel: +86-755-8981 8866 Fax: +86-755-8427 6832

Email & Skype: info@chipsmall.com Web: www.chipsmall.com

Address: A1208, Overseas Decoration Building, #122 Zhenhua RD., Futian, Shenzhen, China



## MEMS functional sensor: smart 3D orientation and click detection standalone device

### Features

- 3D orientation sensor: 3 orthogonal directions (6 positions)
- Embedded click/double-click functionality
- Low power consumption
- Power down mode
- High shock survivability
- -40 °C to +85 °C temperature range
- Excellent quality and reliability
- Testable after assembly without movement
- Housed in a small, thin 3x5x0.9 SMD package
- ECOPACK<sup>®</sup>, RoHS and “Green” compliant

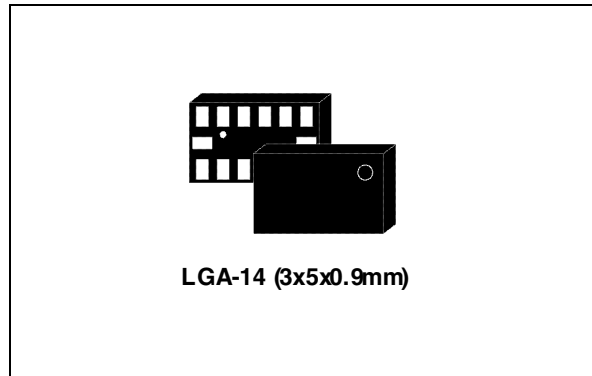
### Applications

- Image rotation in mobile phones and portable devices
- Digital photo frames
- Orientation detection
- Button replacement
- Motion triggered wake up

### Description

The FC30 is a stand-alone 3D orientation and click/double-click detection device.

When in a steady position, it is able to detect 6 different orientations with respect to the gravity field, with notification provided through dedicated signal lines.



The device can be used for image rotation (portrait/landscape) and position-based applications.

When a single or double mechanical tap is detected, the FC30 provides an interrupt signal, enabling a “mouse button-like” function for intuitive man-machine interface solutions.

A power-down mode selectable through a dedicated input pin ensures very low current consumption in battery-operated devices.

The FC30 is available in an LGA-14 3x5x0.9mm SMD plastic full-moulded package compliant with lead-free, RoHS and halogen-free regulations. Compatible with a -40 °C to +85 °C temperature range, the FC30 is shipped in standard tape and reels for automatic pick and place machines and is washable after reflow due to its completely sealed and hermetic structure.

**Table 1. Order codes**

Order code	Temp range (°C)	Package	Packing
FC30	-40 to +85	LGA-14	Tray
FC30TR	-40 to +85	LGA-14	Tape and reel

# Contents

- 1 Pin configuration and description ..... 3**
- 2 Device functionality ..... 4**
  - 2.1 Orientation detection ..... 4
    - 2.1.1 Output response vs. orientation ..... 4
  - 2.2 Tap detection ..... 5
  - 2.3 Post assembly device verification ..... 6
  - 2.4 Power down ..... 6
- 3 Electrical specifications ..... 7**
  - 3.1 Electrical characteristics ..... 7
  - 3.2 Absolute maximum ratings ..... 7
- 4 Device and technology information ..... 9**
- 5 Application hints ..... 10**
  - 5.1 Soldering information ..... 10
- 6 Package information ..... 11**
- 7 Revision history ..... 12**

# 1 Pin configuration and description

Figure 1. Pin configuration

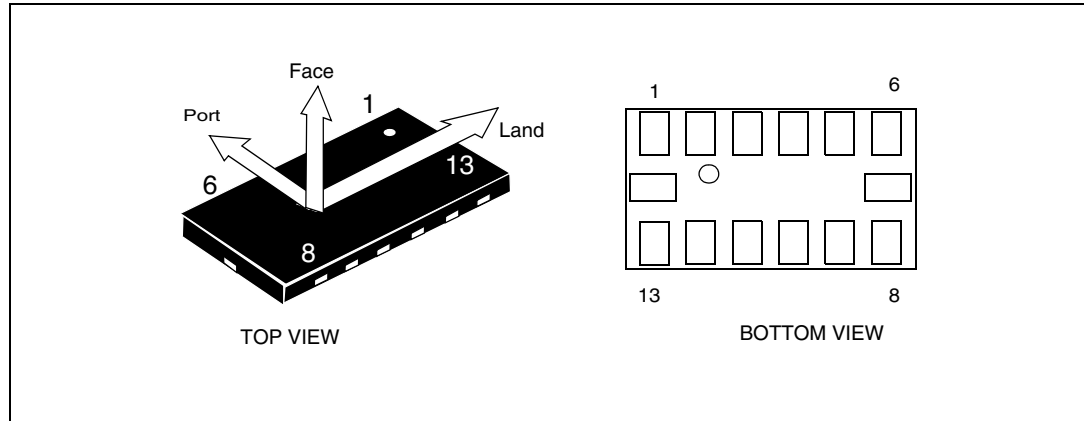


Table 2. Pin description

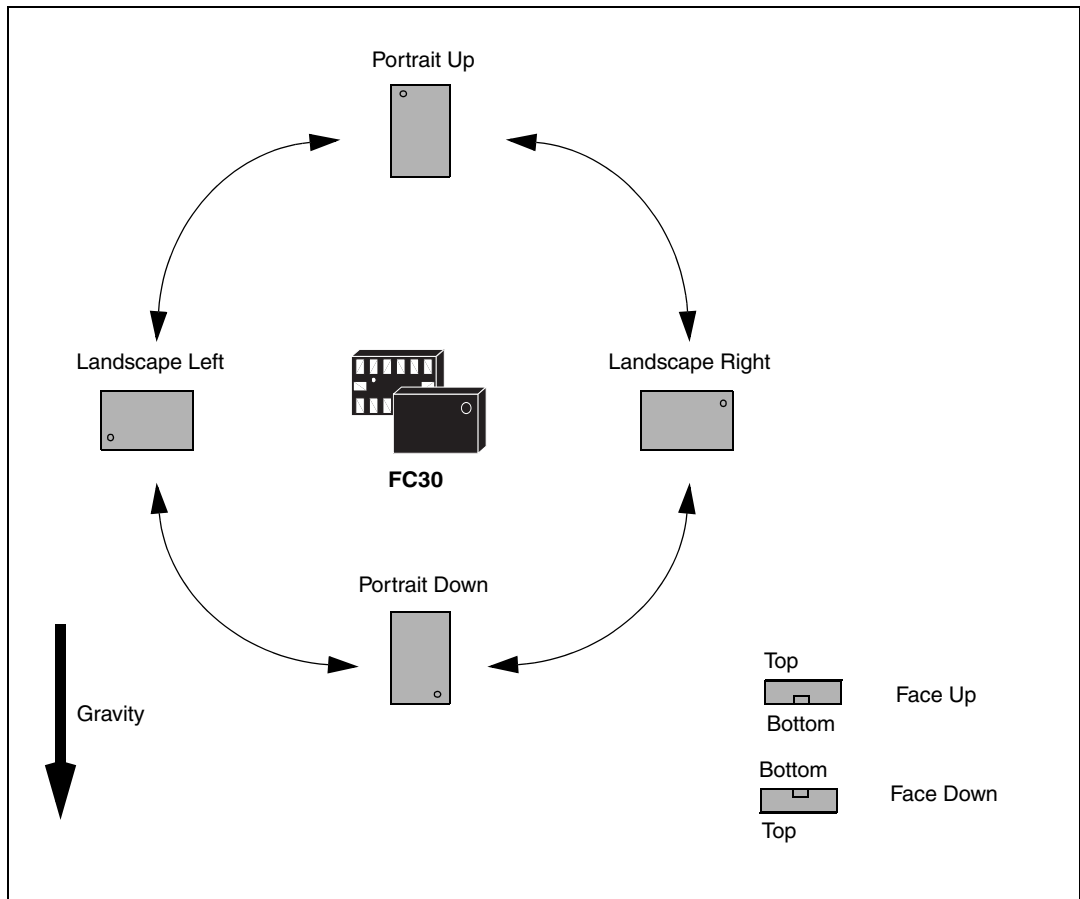
Pin#	Name	Function
1	Vdd_IO	Power supply for I/O pins
2	GND	0V supply
3	Vdd	Power supply
4	Res	Connect to 0V supply
5	GND	0V supply
6	Vdd	Power supply
7	Res	Leave unconnected
8	PC	Portrait interrupt (logic 1: portrait orientation)
9	LC	Landscape interrupt (logic 1: landscape orientation)
10	Res	Connect to 0V supply
11	PD	Power-down (logic 0: power-down mode; logic 1: normal mode)
12	SIGN	Sign interrupt for landscape/portrait/face orientation
13-14	Res	Leave unconnected

## 2 Device functionality

### 2.1 Orientation detection

The device output can be configured to provide its orientation relative to gravity based on orientation definitions, as illustrated in [Figure 2](#) below.

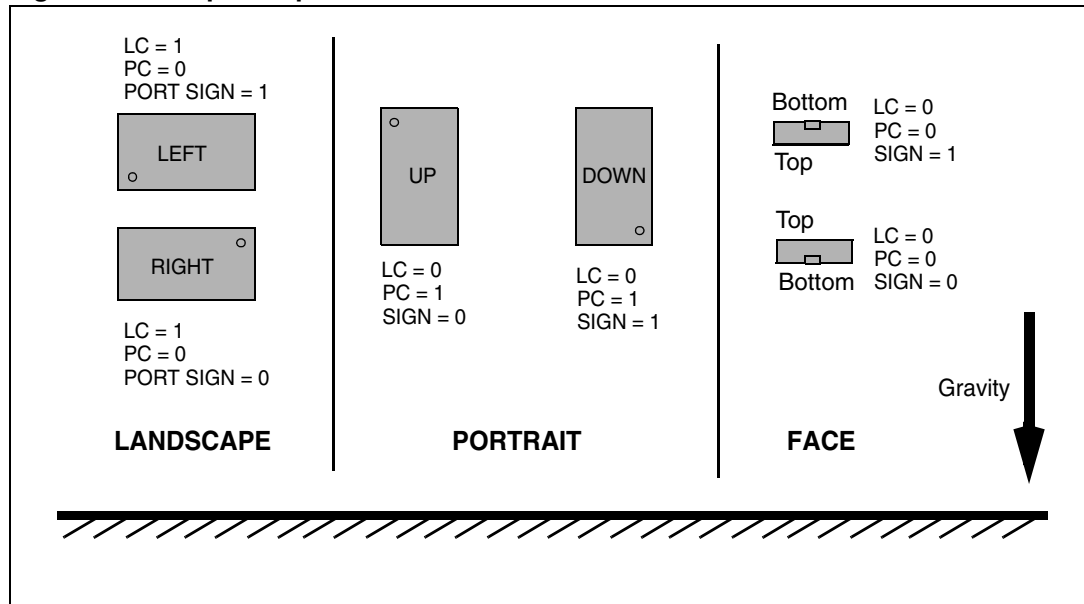
**Figure 2. Orientation definitions**



#### 2.1.1 Output response vs. orientation

[Figure 3](#) shows the three interrupt output lines for the selected orientation.

**Figure 3. Output response vs. orientation**



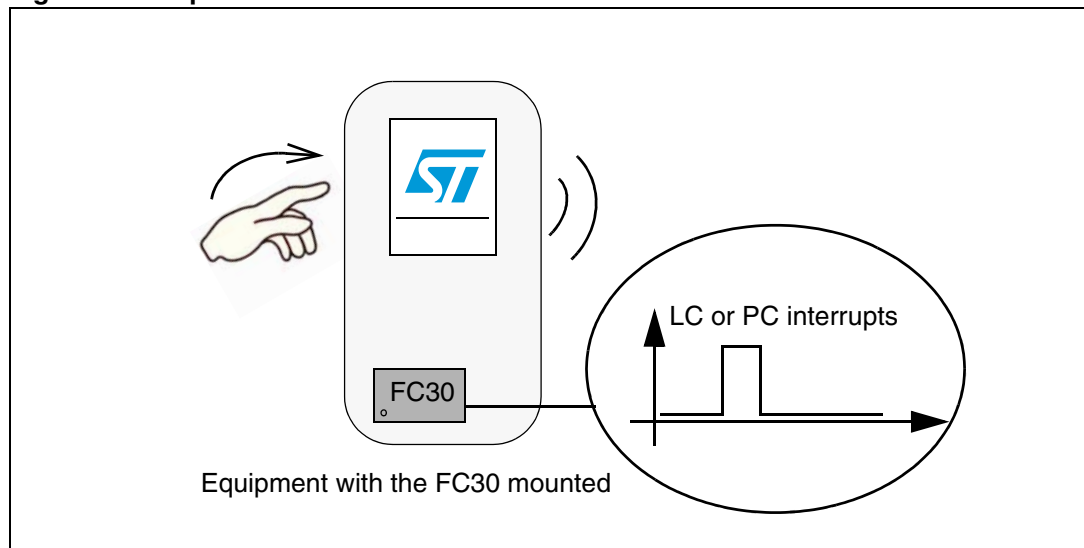
## 2.2 Tap detection

The device can be configured to send an interrupt signal on a dedicated pin when “clicked” in any direction (see [Figure 4](#)).

A more advanced feature also allows the detection of a “double click” event, with a programmable time interval between the first and second click, to enable a “mouse button-like” functionality.

These functions can be fully programmed. For additional information, please contact your local STMicroelectronics sales office.

**Figure 4. Tap or “click” detection**



## 2.3 Post assembly device verification

A special function allows the user to check the sensor functionality without moving the device (device verification). This functionality is enabled by connecting the FC30 to an MCU. For the connection scheme and additional information, please contact your local STMicroelectronics sales office.

## 2.4 Power down

The power down function allows the device to be put in an ultra-low power consumption mode by applying a "logic 0" voltage value to the PD pad. In this state the measurement chain is powered off.

### 3 Electrical specifications

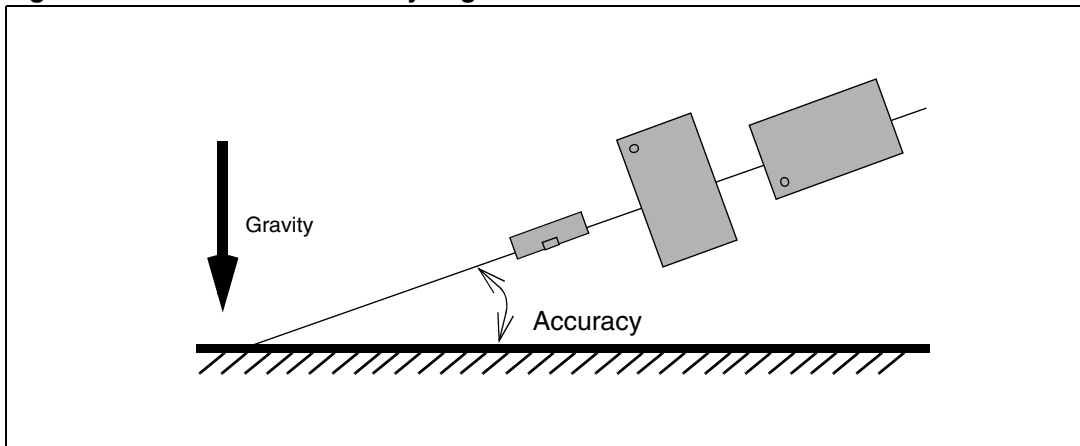
#### 3.1 Electrical characteristics

**Table 3. Electrical characteristics<sup>(1) (2)</sup>**

Symbol	Parameter	Test conditions	Min.	Typ. <sup>(3)</sup>	Max.	Unit
Vdd	Supply voltage		2.16	2.5	3.6	V
Vdd_IO	I/O pins supply voltage		1.71		Vdd+0.1	V
Idd	Supply current	T = 25°C		0.3	0.4	mA
IddPdn	Current consumption in power-down mode	T = 25°C		1		µA
Ton	Turn-on time <sup>(4)</sup>			30		ms
Ac	Accuracy <sup>(5)</sup>			±3		deg
Top	Operating temperature range		-40		+85	°C
Wh	Product weight			30		mg

1. The product is factory calibrated at 2.5 V. The device can be used from 2.16 V to 3.6 V
2. All the parameters are specified @ Vdd=2.5 V, T = 25 °C unless otherwise noted
3. Typical specification are not guaranteed
4. Time to obtain valid data after exiting power-down mode
5. Accuracy defines the angle around the three orthogonal directions where orientation is detected (see [Figure 5](#))

**Figure 5. Orientation accuracy angle**



#### 3.2 Absolute maximum ratings

Stresses above those listed as “absolute maximum ratings” may cause permanent damage to the device. This is a stress rating only and functional operation of the device under these conditions is not implied. Exposure to maximum rating conditions for extended periods may affect device reliability.



**Table 4. Absolute maximum ratings**

Symbol	Ratings	Maximum Value	Unit
V <sub>dd</sub> , V <sub>dd_IO</sub>	Supply voltage and I/O pins supply voltage	-0.3 to 6	V
V <sub>in</sub>	Input voltage on any control pin	-0.3 to V <sub>dd_IO</sub> +0.3	V
A <sub>MAX</sub>	Acceleration (any axis, powered and unpowered)	10000 g for 0.1ms	g
T <sub>OP</sub>	Operating temperature range	-40 to +85	°C
T <sub>STG</sub>	Storage temperature range	-40 to +125	°C
ESD	Electrostatic discharge protection	4.0 (HBM)	kV
		200 (MM)	V
		1.5 (CDM)	kV



This is a Mechanical Shock sensitive device, improper handling can cause permanent damage to the part



This is an ESD sensitive device, improper handling can cause permanent damage to the part

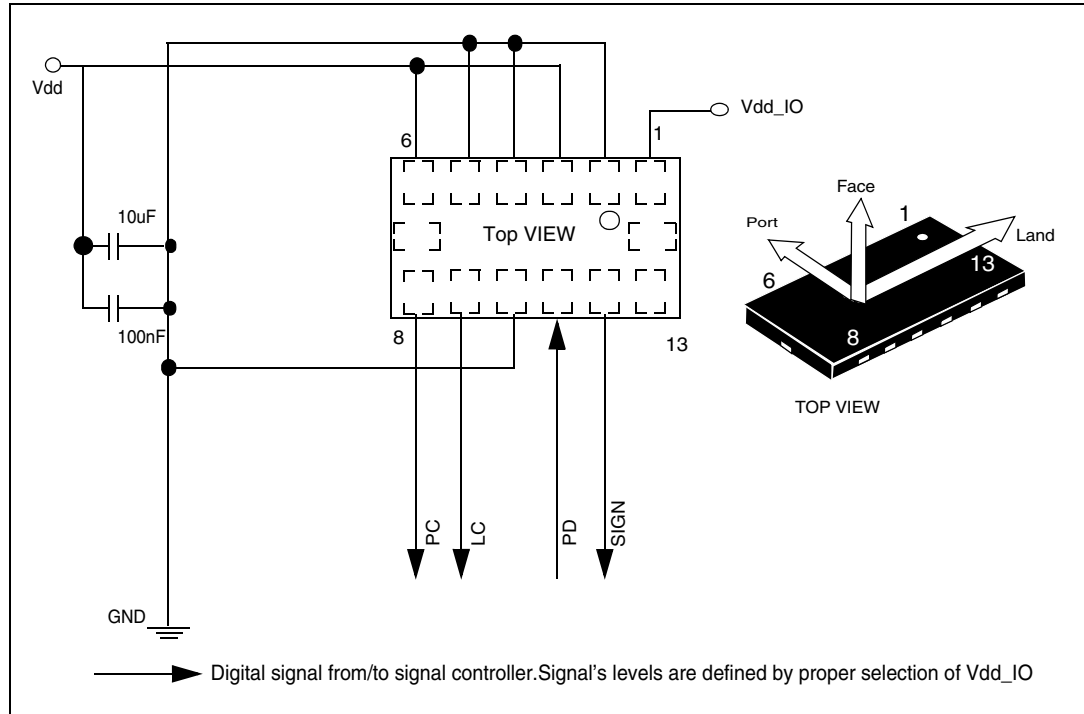
## 4 Device and technology information

The FC30 is an ultra-compact, low power 3-dimensional orientation and click/double-click sensor. Manufactured with MEMS technology, the FC30 offers many advantages compared to the conventional fabrication technology used nowadays in portable devices, including:

- Potential for additional strong miniaturization, leveraging the characteristics of micromachining technology
- No surface friction effects, wear effects and acoustic noise generation
- Embedded electronic signal conditioning allows reduced power consumption

## 5 Application hints

Figure 6. FC30 electrical connection for 3D orientation detection



The diagram above refers to the electrical connection scheme for application of 3D orientation detection.

The device core is supplied through the Vdd line while the I/O pads are supplied through the Vdd\_IO line. Power supply decoupling capacitors (100 nF ceramic, 10 µF Al) should be placed as near as possible to pin 6 of the device (common design practice).

All the voltage and ground supplies must be present at the same time for proper behavior of the IC ([Figure 6](#)).

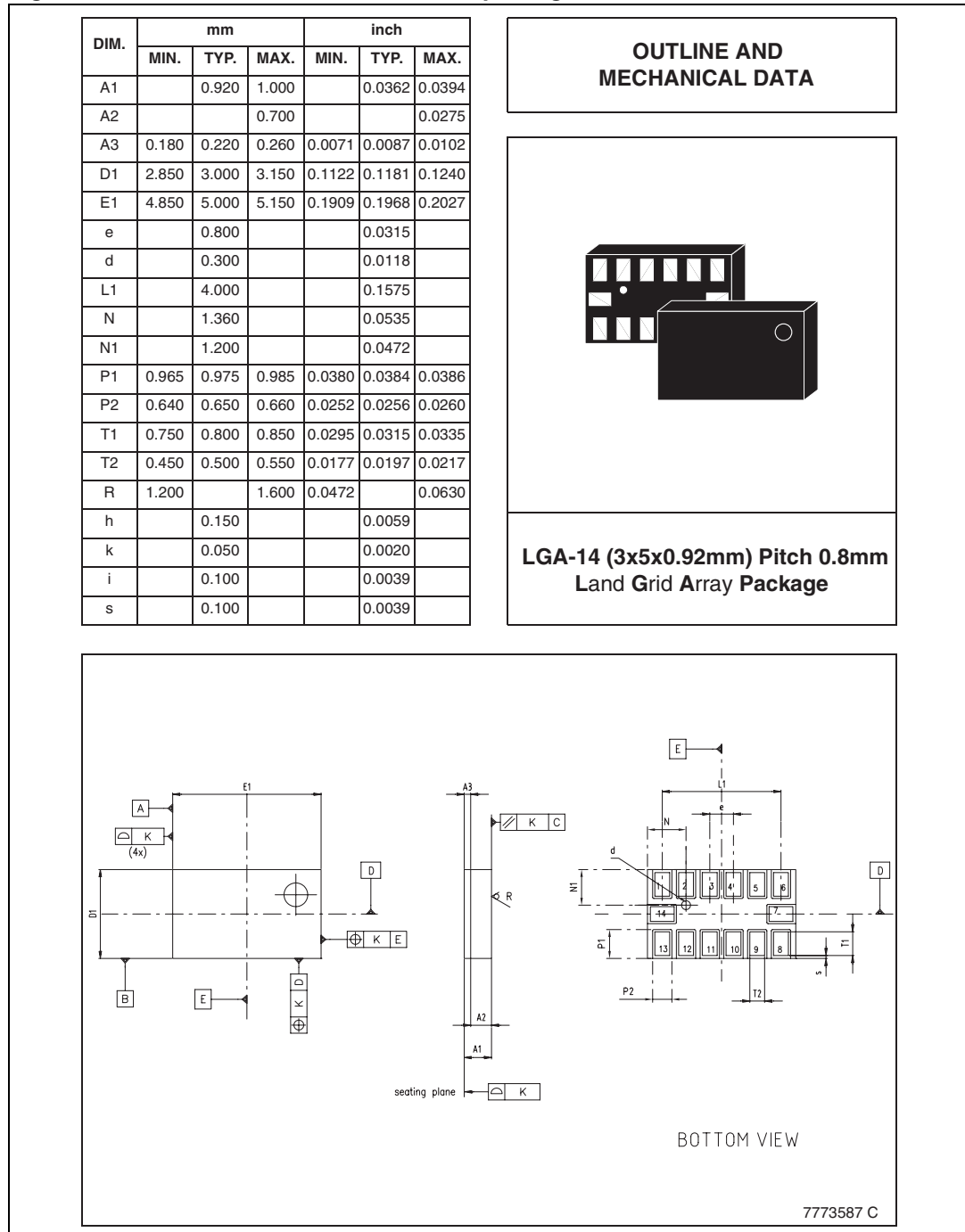
### 5.1 Soldering information

The LGA package is compliant with the ECOPACK, RoHS and “green” standards. Leave the pin 1 indicator unconnected during soldering. Land pattern and soldering recommendations are available at [www.st.com](http://www.st.com)

## 6 Package information

In order to meet environmental requirements, ST offers these devices in different grades of ECOPACK® packages, depending on their level of environmental compliance. ECOPACK® specifications, grade definitions and product status are available at: [www.st.com](http://www.st.com). ECOPACK is an ST trademark.

**Figure 7. LGA-14: mechanical data and package dimensions**



## 7 Revision history

**Table 5. Document revision history**

Date	Revision	Changes
29-May-2008	1	Initial release
10-Feb-2010	2	Updated <a href="#">Table 2: Pin description</a> .

**Please Read Carefully:**

Information in this document is provided solely in connection with ST products. STMicroelectronics NV and its subsidiaries ("ST") reserve the right to make changes, corrections, modifications or improvements, to this document, and the products and services described herein at any time, without notice.

All ST products are sold pursuant to ST's terms and conditions of sale.

Purchasers are solely responsible for the choice, selection and use of the ST products and services described herein, and ST assumes no liability whatsoever relating to the choice, selection or use of the ST products and services described herein.

No license, express or implied, by estoppel or otherwise, to any intellectual property rights is granted under this document. If any part of this document refers to any third party products or services it shall not be deemed a license grant by ST for the use of such third party products or services, or any intellectual property contained therein or considered as a warranty covering the use in any manner whatsoever of such third party products or services or any intellectual property contained therein.

**UNLESS OTHERWISE SET FORTH IN ST'S TERMS AND CONDITIONS OF SALE ST DISCLAIMS ANY EXPRESS OR IMPLIED WARRANTY WITH RESPECT TO THE USE AND/OR SALE OF ST PRODUCTS INCLUDING WITHOUT LIMITATION IMPLIED WARRANTIES OF MERCHANTABILITY, FITNESS FOR A PARTICULAR PURPOSE (AND THEIR EQUIVALENTS UNDER THE LAWS OF ANY JURISDICTION), OR INFRINGEMENT OF ANY PATENT, COPYRIGHT OR OTHER INTELLECTUAL PROPERTY RIGHT.**

**UNLESS EXPRESSLY APPROVED IN WRITING BY AN AUTHORIZED ST REPRESENTATIVE, ST PRODUCTS ARE NOT RECOMMENDED, AUTHORIZED OR WARRANTED FOR USE IN MILITARY, AIR CRAFT, SPACE, LIFE SAVING, OR LIFE SUSTAINING APPLICATIONS, NOR IN PRODUCTS OR SYSTEMS WHERE FAILURE OR MALFUNCTION MAY RESULT IN PERSONAL INJURY, DEATH, OR SEVERE PROPERTY OR ENVIRONMENTAL DAMAGE. ST PRODUCTS WHICH ARE NOT SPECIFIED AS "AUTOMOTIVE GRADE" MAY ONLY BE USED IN AUTOMOTIVE APPLICATIONS AT USER'S OWN RISK.**

Resale of ST products with provisions different from the statements and/or technical features set forth in this document shall immediately void any warranty granted by ST for the ST product or service described herein and shall not create or extend in any manner whatsoever, any liability of ST.

ST and the ST logo are trademarks or registered trademarks of ST in various countries.

Information in this document supersedes and replaces all information previously supplied.

The ST logo is a registered trademark of STMicroelectronics. All other names are the property of their respective owners.

© 2010 STMicroelectronics - All rights reserved

STMicroelectronics group of companies

Australia - Belgium - Brazil - Canada - China - Czech Republic - Finland - France - Germany - Hong Kong - India - Israel - Italy - Japan - Malaysia - Malta - Morocco - Philippines - Singapore - Spain - Sweden - Switzerland - United Kingdom - United States of America

[www.st.com](http://www.st.com)

