



Chipsmall Limited consists of a professional team with an average of over 10 year of expertise in the distribution of electronic components. Based in Hongkong, we have already established firm and mutual-benefit business relationships with customers from,Europe,America and south Asia,supplying obsolete and hard-to-find components to meet their specific needs.

With the principle of “Quality Parts,Customers Priority,Honest Operation,and Considerate Service”,our business mainly focus on the distribution of electronic components. Line cards we deal with include Microchip,ALPS,ROHM,Xilinx,Pulse,ON,Everlight and Freescale. Main products comprise IC,Modules,Potentiometer,IC Socket,Relay,Connector.Our parts cover such applications as commercial,industrial, and automotives areas.

We are looking forward to setting up business relationship with you and hope to provide you with the best service and solution. Let us make a better world for our industry!



Contact us

Tel: +86-755-8981 8866 Fax: +86-755-8427 6832

Email & Skype: info@chipsmall.com Web: www.chipsmall.com

Address: A1208, Overseas Decoration Building, #122 Zhenhua RD., Futian, Shenzhen, China



Distributor Stocking Part

Fox Part Number: FQ3225BR-12.000



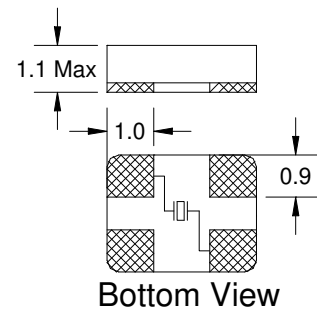
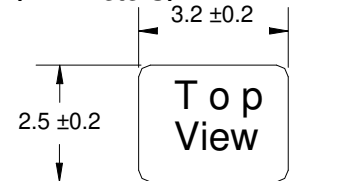
RESIN-SEALED, SMD, CRYSTAL
MODEL: FQ3225B Series

RoHS / REACH Compliant / Pb Free

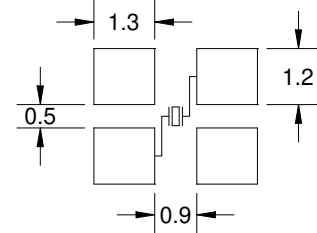
A. Specifications

Parameters	
Frequency	12.000 MHz
Resonance Mode	Fundamental
Frequency Tolerance @ 25°C	±50 PPM Max
Frequency Stability, ref @ 25°C Over Operating Temp. Range	±50 PPM Max
Temperature Range Operating (T _{OPR}) Storage (T _{STG})	-40°C ~ +85°C -55°C ~ +125°C
Equivalent Series Resistance (ESR)	100 Ohms Max
Shunt Capacitance (C _O)	7 pF Max
Load Capacitance (C _L)	20 pF
Drive Level	0.1 mW Max
Aging per year	±5 PPM Max
Maximum Soldering Temp / Time	260°C / 10 Seconds
Moisture Sensitivity Level (MSL)	1
Termination Finish:	Au

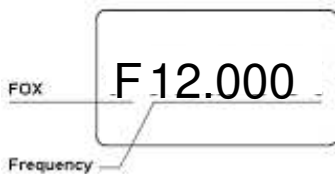
B. Mechanical / Dimensions (millimeters):



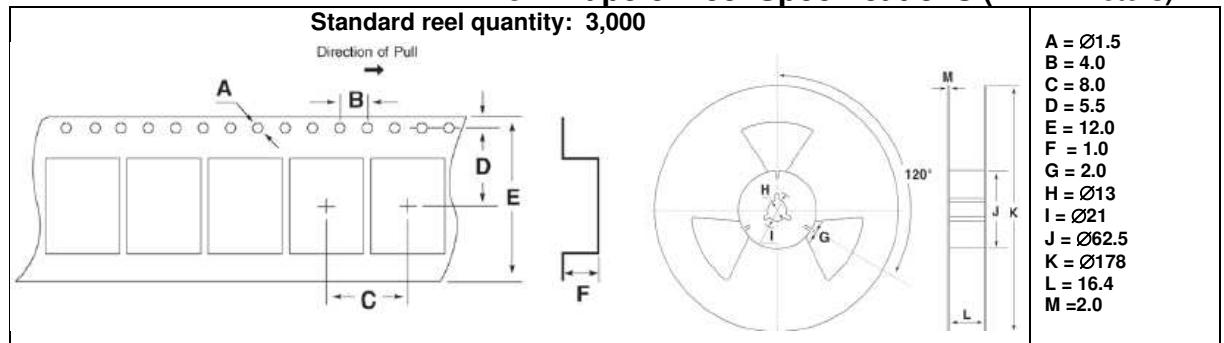
Recommended Solder pad layout



FQ Series Marking Identification



C. Tape & Reel Specifications (in millimeters)



NOTE: The above specifications, having been carefully prepared and checked, is believed to be accurate at the time of publication; however, no responsibility is assumed by Fox Electronics for inaccuracies.

Reference / Comments	Title / Description: <i>Product Specifications</i>		
Initial release	Drawing Number: DOC101003	Rev: 1	Size: A
	Part Number: FQ3225BR-12.000		Cage: 61429
	Draftsperson: AR	Approved: GB	Date: 05-20-2014