



Chipsmall Limited consists of a professional team with an average of over 10 year of expertise in the distribution of electronic components. Based in Hongkong, we have already established firm and mutual-benefit business relationships with customers from,Europe,America and south Asia,supplying obsolete and hard-to-find components to meet their specific needs.

With the principle of “Quality Parts,Customers Priority,Honest Operation,and Considerate Service”,our business mainly focus on the distribution of electronic components. Line cards we deal with include Microchip,ALPS,ROHM,Xilinx,Pulse,ON,Everlight and Freescale. Main products comprise IC,Modules,Potentiometer,IC Socket,Relay,Connector.Our parts cover such applications as commercial,industrial, and automotives areas.

We are looking forward to setting up business relationship with you and hope to provide you with the best service and solution. Let us make a better world for our industry!



Contact us

Tel: +86-755-8981 8866 Fax: +86-755-8427 6832

Email & Skype: info@chipsmall.com Web: www.chipsmall.com

Address: A1208, Overseas Decoration Building, #122 Zhenhua RD., Futian, Shenzhen, China



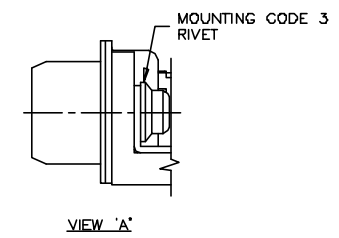
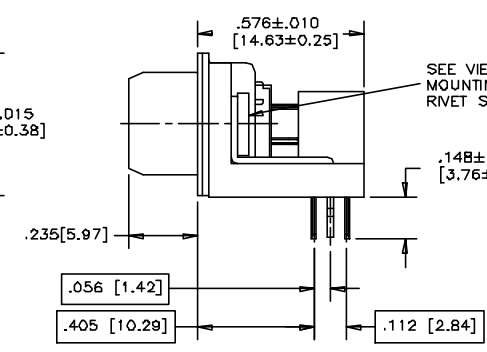
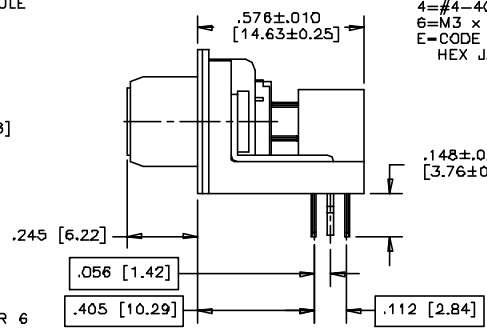
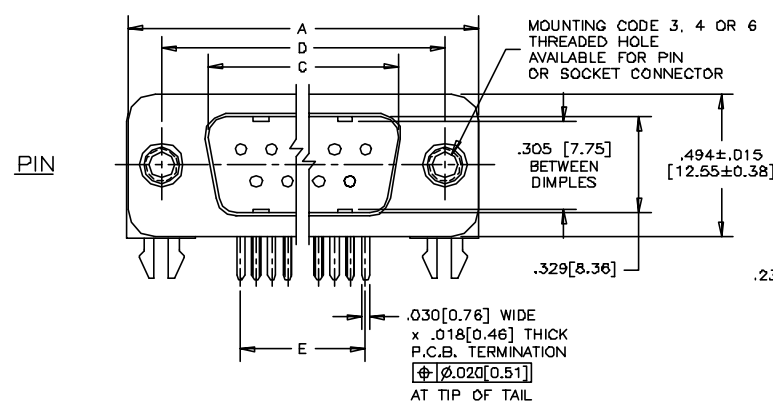
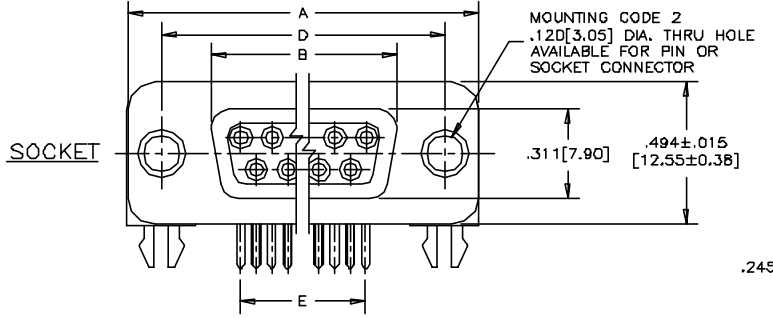
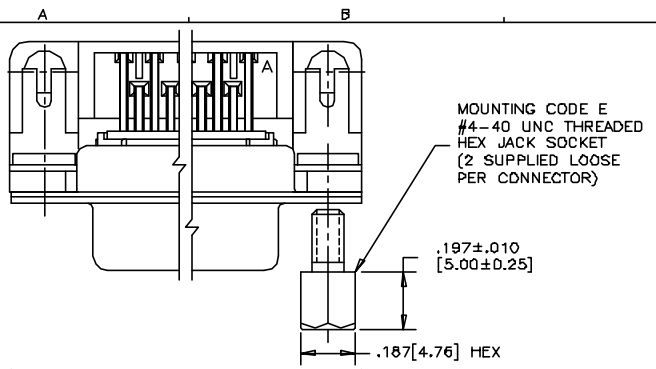
REVISIONS				
SYM	ZONE	EGN, ERN NO.	DATE	APPRD.
A		PRODUCT DRAWING	99/09/23	K.L.

THIS IS A CAD DRAWING. DO NOT MANUALLY REVISE!

ORDERING CODE: F C C 1 7 - E 0 9 P B - 4 4 0 G

SERIES
SIZE/NUMBER OF CONTACTS
 E09, A15, B25, OR C37
CONNECTOR STYLE
 P=PIN
 S=SOCKET
TERMINATION TYPE
 B=.405" [10.29] FOOTPRINT
MOUNTING
 2=.120 [3.05] DIA THROUGH HOLE
 3=#4-40 UNC SELF-LOCKING THREAD
 4=#4-40 UNC THREAD
 6=M3 x 0.5 THREAD
 E=CODE 4 MOUNTING WITH #4-40 UNC HEX JACK SOCKET SUPPLIED.

CONTACT FINISH/GOLD THICKNESS
 NO DIGIT-STANDARD 15 μINCHES [0.38 MICRONS] GOLD
 G=50 μINCHES [1.27 MICRONS] GOLD
MODIFIER
 0-STANDARD
FILTER CAPACITANCE
 D=50 pF 5=1000 pF
 0=180 pF E=2200 pF
 1=470 pF 9=5600 pF
 4=820 pF 8=47000 pF
 REFER TO AMPHENOL CATALOGUE FOR FILTER PERFORMANCE CHARACTERISTICS



NOTES:

- MATERIALS: - SHELLS - TIN PLATED STEEL
 - CONTACTS - PHOSPHOR BRONZE PLATED WITH GOLD OVER NICKEL ON THE MATING AREA AND TIN-LEAD ON THE TERMINALS
 - INSULATOR - ENGINEERING THERMOPLASTIC, FLAMMABILITY RATING UL94V-0, BLACK.
- CONTACT RESISTANCE: 15 MILLIOHMS MAXIMUM.
- INSULATION RESISTANCE: 3000 MEGOHMS MINIMUM
- CURRENT RATING: 5 AMPS MAXIMUM
 2 AMPS FILTERING MAXIMUM
- OPERATING TEMPERATURE: -40°C TO 85°C.
- TOLERANCE, UNLESS INDICATED OTHERWISE, ±.005 [0.13].

SIZE	STYLE	A±.015 [0.38]	B±.005 [0.13]	C±.005 [0.13]	D±.005 [0.13]	E BSC.
E09	PIN	1.213 [30.81]	-----	.666 [16.92]	.984 [24.99]	.432 [10.97]
	SOCKET		.643 [16.33]	-----		
A15	PIN	1.541 [39.14]	-----	.994 [25.25]	1.312 [33.32]	.756 [19.20]
	SOCKET		.971 [24.68]	-----		
B25	PIN	2.088 [53.04]	-----	1.534 [38.96]	1.852 [47.04]	1.304 [33.12]
	SOCKET		1.511 [38.38]	-----		
C37	PIN	2.729 [69.32]	-----	2.182 [55.42]	2.500 [63.50]	1.956 [49.68]
	SOCKET		2.159 [54.84]	-----		

THIS DOCUMENT CONTAINS PROPRIETARY INFORMATION AND SUCH INFORMATION MAY NOT BE DISCLOSED TO OTHERS FOR ANY PURPOSE OR USED FOR MANUFACTURING PURPOSES WITHOUT WRITTEN PERMISSION FROM AMPHENOL CANADA CORP.

MATERIAL	DRAWN I.ESSAJEE	DATE 08/03/11	TITLE FCC17 FILTERED D-SUB, RIGHT ANGLE .405" [10.29] F/P, PIN & SOCKET - PLASTIC MTG. BRACKET & BOARDLOCK
	DESIGNED		
FINISH	CHECKED K.LAMBIE	99/09/23	DWG DRAWING NO. P-FCC17-XXXXB-XXOX
	I. E. APPRD.		
	Q. A. APPRD.		REV. A
	DWG. APPRD.		
	ENG. REL. NO.		
	REF. EAR C1085B		
	DIMENSIONS ARE IN INCHES [mm]	CODE ID. NO. 03554	SCALE N.T.S. SURF. SHEET 7 OF 7