



Chipsmall Limited consists of a professional team with an average of over 10 year of expertise in the distribution of electronic components. Based in Hongkong, we have already established firm and mutual-benefit business relationships with customers from,Europe,America and south Asia,supplying obsolete and hard-to-find components to meet their specific needs.

With the principle of “Quality Parts,Customers Priority,Honest Operation,and Considerate Service”,our business mainly focus on the distribution of electronic components. Line cards we deal with include Microchip,ALPS,ROHM,Xilinx,Pulse,ON,Everlight and Freescale. Main products comprise IC,Modules,Potentiometer,IC Socket,Relay,Connector.Our parts cover such applications as commercial,industrial, and automotives areas.

We are looking forward to setting up business relationship with you and hope to provide you with the best service and solution. Let us make a better world for our industry!



Contact us

Tel: +86-755-8981 8866 Fax: +86-755-8427 6832

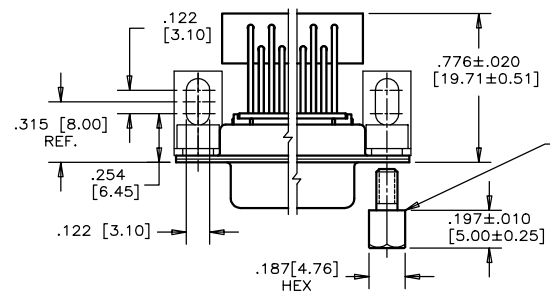
Email & Skype: info@chipsmall.com Web: www.chipsmall.com

Address: A1208, Overseas Decoration Building, #122 Zhenhua RD., Futian, Shenzhen, China



REVISIONS				
SYM	ZONE	ECN, ERN NO.	DATE	APPRD.
C		PRODUCT DRAWING	03/06/18	ATP

THIS IS A CAD DRAWING. DO NOT MANUALLY REVISE!



MOUNTING CODE E
#4-40 UNC THREADED
HEX JACK SOCKET
(2 SUPPLIED LOOSE
PER CONNECTOR)

ORDERING CODE: F C C 1 7 - E O 9 P C - 4 4 B G

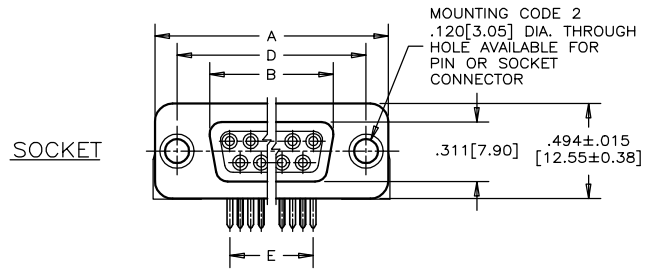
SERIES
SIZE/NUMBER OF CONTACTS
E09, A15, B25, OR C37
CONNECTOR STYLE
P=PIN
S=SOCKET
TERMINATION TYPE
C=.590" [14.99] FOOTPRINT

CONTACT FINISH/GOLD THICKNESS
NO DIGIT=STANDARD 15 MICRONS
[0.38 MICRONS] GOLD
G=50 MICRONS [1.27 MICRONS]
GOLD

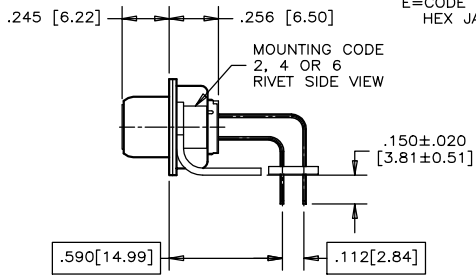
MODIFIER
B=METAL MOUNTING BRACKETS
FILTER CAPACITANCE

MOUNTING
2=.120 [3.05] DIA THROUGH HOLE
3=#4-40 UNC SELF-LOCKING THREAD
4=#4-40 UNC THREAD
6=M3 x 0.5 THREAD
E=CODE 4 MOUNTING WITH #4-40 UNC
HEX JACK SOCKET SUPPLIED.

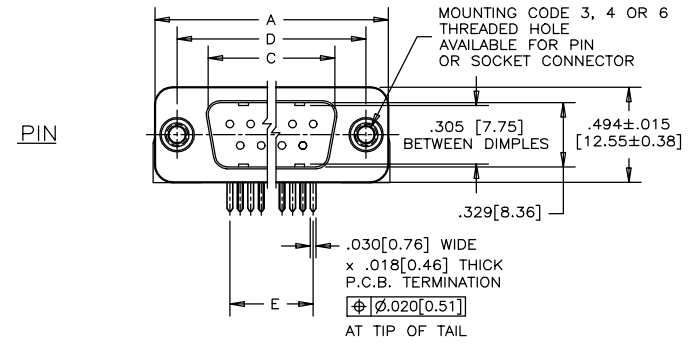
0=180 pF 9=5600 pF
1=470 pF 8=47000 pF
4=820 pF E=2200 pF
5=1000 pF F=330 pF
REFER TO AMPHENOL
CATALOGUE FOR FILTER
PERFORMANCE CHARACTERISTICS



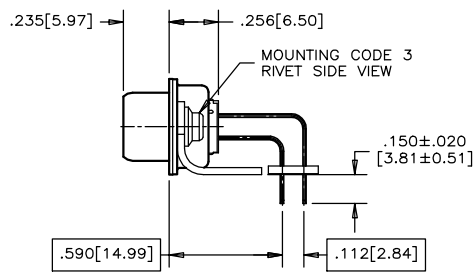
MOUNTING CODE 2
.120 [3.05] DIA THROUGH
HOLE AVAILABLE FOR
PIN OR SOCKET
CONNECTOR



MOUNTING CODE
2, 4 OR 6
RIVET SIDE VIEW



MOUNTING CODE 3, 4 OR 6
THREADED HOLE
AVAILABLE FOR PIN
OR SOCKET CONNECTOR



MOUNTING CODE 3
RIVET SIDE VIEW

NOTES:

- MATERIALS: - SHELLS - TIN PLATED STEEL
- CONTACTS - PHOSPHOR BRONZE PLATED WITH GOLD OVER NICKEL ON THE MATING AREA AND TIN-LEAD ON THE TERMINALS
- INSULATOR - ENGINEERING THERMOPLASTIC, FLAMMABILITY RATING UL94V-0, BLACK.
- CONTACT RESISTANCE: 15 MILLIOHMS MAXIMUM.
- INSULATION RESISTANCE: 3000 MEGOHMS MINIMUM
- CURRENT RATING: 5 AMPS MAXIMUM
2 AMPS FILTERING MAXIMUM
- OPERATING TEMPERATURE: -40°C TO 85°C.
- TOLERANCE, UNLESS INDICATED OTHERWISE, ±.005 [0.13].

SIZE	STYLE	A±.015 [0.38]	B±.005 [0.13]	C±.005 [0.13]	D±.005 [0.13]	E BSC.
E09	PIN	1.213 [30.81]	-----	.666 [16.92]	.984 [24.99]	.432 [10.97]
	SOCKET		.643 [16.33]	-----		
A15	PIN	1.541 [39.14]	-----	.994 [25.25]	1.312 [33.32]	.756 [19.20]
	SOCKET		.971 [24.66]	-----		
B25	PIN	2.088 [53.04]	-----	1.534 [38.96]	1.852 [47.04]	1.304 [33.12]
	SOCKET		1.511 [38.38]	-----		
C37	PIN	2.729 [69.32]	-----	2.182 [55.42]	2.500 [63.50]	1.956 [49.68]
	SOCKET		2.159 [54.84]	-----		

MATERIAL -----	DRAWN I.ESSAJEE	DATE 98/03/13	Amphenol Canada Corp.
	DESIGNED K.LAMBIE	98/03/04	
	CHECKED		
	I. E. APPRD.		
FINISH -----	Q. A. APPRD.		TITLE FCC17 FILTERED D-SUB, RIGHT ANGLE .590 [14.99] F/P, PIN & SOCKET - METAL MOUNTING BRACKET
	DWG. APPRD.		
	ENG. REL. NO.		
	REF. EAR C10684		
DIMENSIONS ARE IN INCHES [mm]		CODE ID. NO. 03554	DWG. DRAWING NO. P-FCC17-XXXXC-XXBX
SCALE 2/1		WT. -----	SURF. -----
			SHEET 1 OF 1

THIS DOCUMENT CONTAINS PROPRIETARY INFORMATION AND SUCH INFORMATION MAY NOT BE DISCLOSED TO OTHERS FOR ANY PURPOSE OR USED FOR MANUFACTURING PURPOSES WITHOUT WRITTEN PERMISSION FROM AMPHENOL CANADA CORP.