



Chipsmall Limited consists of a professional team with an average of over 10 year of expertise in the distribution of electronic components. Based in Hongkong, we have already established firm and mutual-benefit business relationships with customers from,Europe,America and south Asia,supplying obsolete and hard-to-find components to meet their specific needs.

With the principle of “Quality Parts,Customers Priority,Honest Operation,and Considerate Service”,our business mainly focus on the distribution of electronic components. Line cards we deal with include Microchip,ALPS,ROHM,Xilinx,Pulse,ON,Everlight and Freescale. Main products comprise IC,Modules,Potentiometer,IC Socket,Relay,Connector.Our parts cover such applications as commercial,industrial, and automotives areas.

We are looking forward to setting up business relationship with you and hope to provide you with the best service and solution. Let us make a better world for our industry!



Contact us

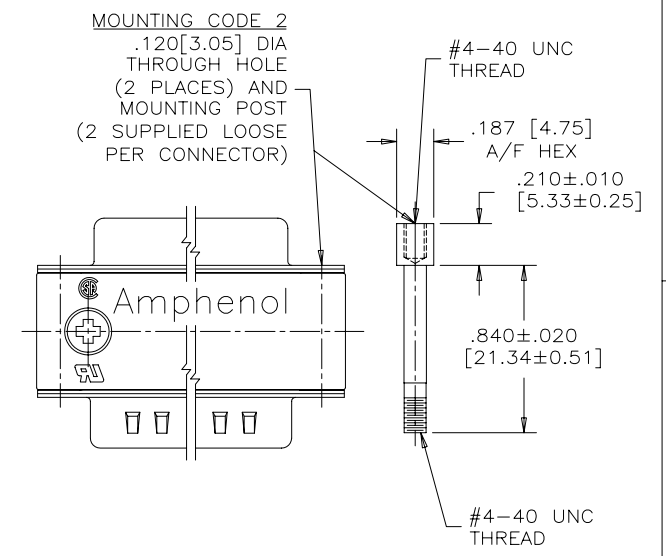
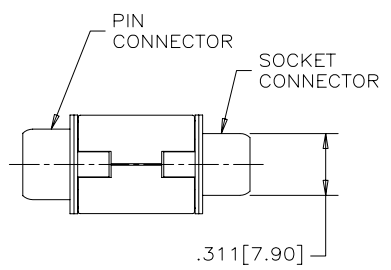
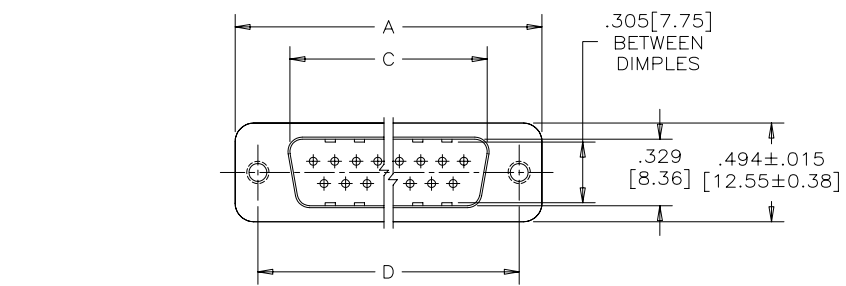
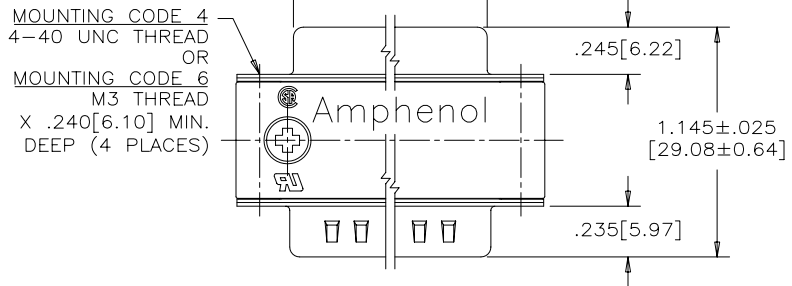
Tel: +86-755-8981 8866 Fax: +86-755-8427 6832

Email & Skype: info@chipsmall.com Web: www.chipsmall.com

Address: A1208, Overseas Decoration Building, #122 Zhenhua RD., Futian, Shenzhen, China



REVISIONS			
REV	ECN, ERN NO.	DATE	APPRD.
D	PRODUCT DRAWING	APR29/05	K.L.



SIZE	A ± .015 [0.38]	B ± .005 [0.13]	C ± .005 [0.13]	D ± .005 [0.13]
E09	1.213 [30.81]	.643 [16.33]	.666 [16.92]	.984 [24.99]
A15	1.541 [39.14]	.971 [24.66]	.994 [25.25]	1.312 [33.32]
B25	2.088 [53.04]	1.511 [38.38]	1.534 [38.96]	1.852 [47.04]
C37	2.729 [69.32]	2.159 [54.84]	2.182 [55.42]	2.500 [63.50]

ORDERING CODE: F C C 1 7 - E 0 9 A D - 4 F 0 G

SERIES _____

SIZE/NUMBER OF CONTACTS _____
E09, A15, B25, OR C37

CONNECTOR STYLE _____
AD=PIN/SOCKET ADAPTER

MOUNTING _____
2=.120 [3.05] DIA. THROUGH HOLE WITH MOUNTING POST
3=OLD DESIGNATION FOR #4-40 THREAD - USE MOUNTING CODE 4.
4=#4-40 UNC THREAD
6=M3 THREAD

CONTACT FINISH/GOLD THICKNESS _____
NO DIGIT=STANDARD 15 MICRONS [0.38 MICRONS] GOLD
G=50 MICRONS [1.27 MICRONS] GOLD

MODIFIER _____
0=STANDARD

FILTER CAPACITANCE _____
D=50 pF 4=820 pF
B=100 pF 5=1000 pF
0=180 pF 7=1200 pF
F=330 pF E=2200 pF
L=380 pF 9=5600 pF
1=470 pF 8=47000 pF
REFER TO AMPHENOL CATALOGUE FOR FILTER PERFORMANCE CHARACTERISTICS

- NOTES:**
- MATERIALS: - SHELLS - TIN PLATED STEEL
- CONTACTS - PHOSPHOR BRONZE PLATED WITH GOLD OVER NICKEL ON THE MATING AREA.
- INSULATOR - ENGINEERING THERMOPLASTIC, FLAMMABILITY RATING UL94V-0, BLACK.
- OUTSIDE SHELLS: ZINC DIECAST, TIN PLATED
 - INSULATION RESISTANCE: 3000 MEGOHMS MINIMUM
 - CURRENT RATING: 5 AMPS MAXIMUM
2 AMPS FILTERING MAXIMUM
 - OPERATING TEMPERATURE: -40°C TO 85°C.
 - TOLERANCE, UNLESS INDICATED OTHERWISE, ±.005 [0.13].

THIS DOCUMENT CONTAINS PROPRIETARY INFORMATION AND SUCH INFORMATION MAY NOT BE DISCLOSED TO OTHERS FOR ANY PURPOSE OR USED FOR MANUFACTURING PURPOSES WITHOUT WRITTEN PERMISSION FROM AMPHENOL CANADA CORP.

MATERIAL -----	DRAWN I.ESSAJEE	DATE 99/03/10	Amphenol Canada Corp.	
	DESIGNED K.LAMBIE	99/03/09		
	CHECKED			
	I. E. APPRD.			
FINISH -----	Q. A. APPRD.		TITLE FCC17 SERIES MALE/FEMALE ADAPTER	
	DWG. APPRD.		DWG DRAWING NO. C P-FCC17-XXXAD-XXOX	
	ENG. REL. NO.		REF. EAR C10727	
	REF. EAR C10727		DIMENSIONS ARE IN INCHES [mm] 03554	
SCALE 2/1		WT. -----	SURF. -----	SHEET 1 OF 1