



Chipsmall Limited consists of a professional team with an average of over 10 year of expertise in the distribution of electronic components. Based in Hongkong, we have already established firm and mutual-benefit business relationships with customers from,Europe,America and south Asia,supplying obsolete and hard-to-find components to meet their specific needs.

With the principle of "Quality Parts,Customers Priority,Honest Operation,and Considerate Service",our business mainly focus on the distribution of electronic components. Line cards we deal with include Microchip,ALPS,ROHM,Xilinx,Pulse,ON,Everlight and Freescale. Main products comprise IC,Modules,Potentiometer,IC Socket,Relay,Connector.Our parts cover such applications as commercial,industrial, and automotives areas.

We are looking forward to setting up business relationship with you and hope to provide you with the best service and solution. Let us make a better world for our industry!



## Contact us

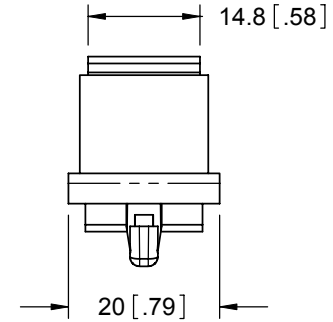
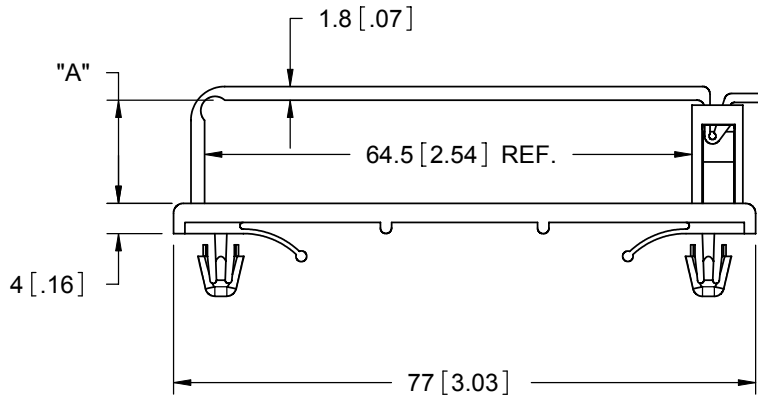
Tel: +86-755-8981 8866 Fax: +86-755-8427 6832

Email & Skype: info@chipsmall.com Web: www.chipsmall.com

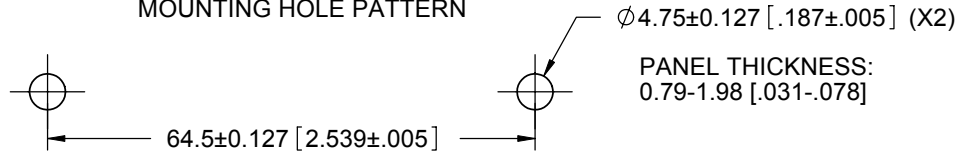
Address: A1208, Overseas Decoration Building, #122 Zhenhua RD., Futian, Shenzhen, China



PART. NO.	"A" REF.
FCCB-1	7.2 [.28]
FCCB-2	13.7 [.54]



MOUNTING HOLE PATTERN



- NOTES:
1. MATERIAL: NYLON 6/6 UL 94 V-2 (RMS-01).  
NYLON 6/6 UL 94 V-0 (RMS-19) AVAILABLE BY SPECIAL ORDER ONLY.
  2. COLOR: NATURAL.
  3. PART DESIGNED IN METRIC - ENGLISH UNITS ARE FOR REFERENCE ONLY.

TITLE: <b>FLAT CABLE CLAMP - ARROWHEAD MOUNTED</b>					DWG IN MM [IN]	
CREATED USING SOLIDWORKS	FILE #: FCCB	DWN: S.J.	APP: SJ	FINAL		
TOLERANCES UNLESS NOTED $\pm 0.25$	SHEET: 1 OF 1	SHEET SIZE: A	DT: 1.2.06	CHKD: SK	PART #	PRINT TYPE
RE: RICHCO, INC. --	RICHCO, INC. ENG@RICHCO-INC.COM (773) 539-4060			SEE TABLE		CA

B	SEE ECN #1301 FOR CHANGES	SK	03/27/07
A	RELEASED FOR PRODUCTION	SK	01/02/06
REV.	DESCRIPTION	ENGR.	DATE