



Chipsmall Limited consists of a professional team with an average of over 10 year of expertise in the distribution of electronic components. Based in Hongkong, we have already established firm and mutual-benefit business relationships with customers from,Europe,America and south Asia,supplying obsolete and hard-to-find components to meet their specific needs.

With the principle of “Quality Parts,Customers Priority,Honest Operation,and Considerate Service”,our business mainly focus on the distribution of electronic components. Line cards we deal with include Microchip,ALPS,ROHM,Xilinx,Pulse,ON,Everlight and Freescale. Main products comprise IC,Modules,Potentiometer,IC Socket,Relay,Connector.Our parts cover such applications as commercial,industrial, and automotives areas.

We are looking forward to setting up business relationship with you and hope to provide you with the best service and solution. Let us make a better world for our industry!



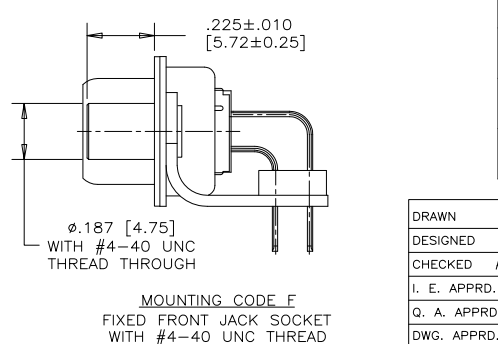
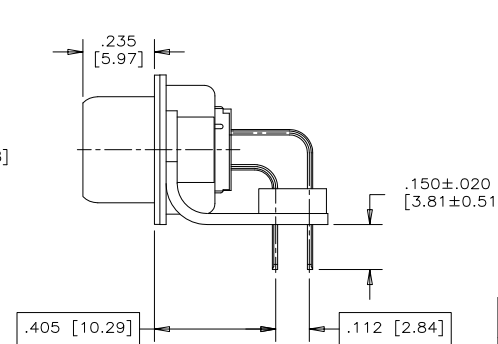
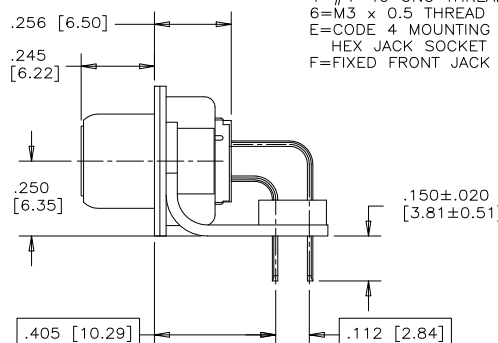
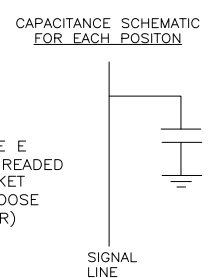
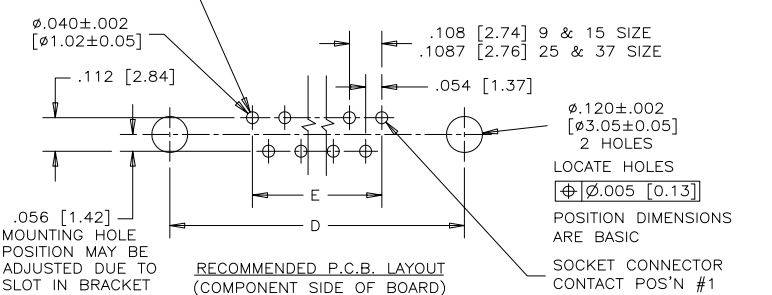
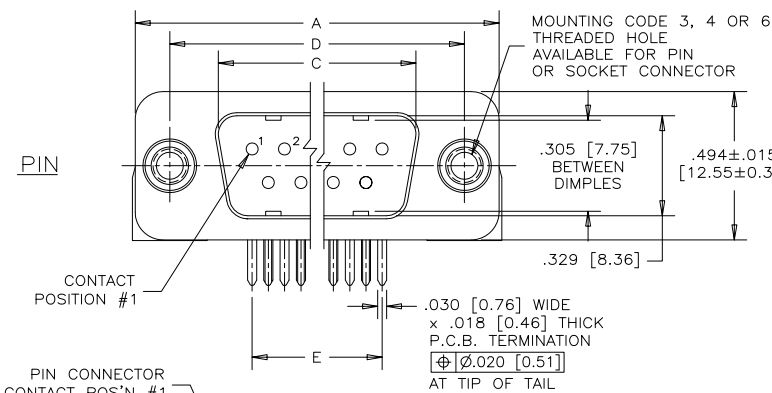
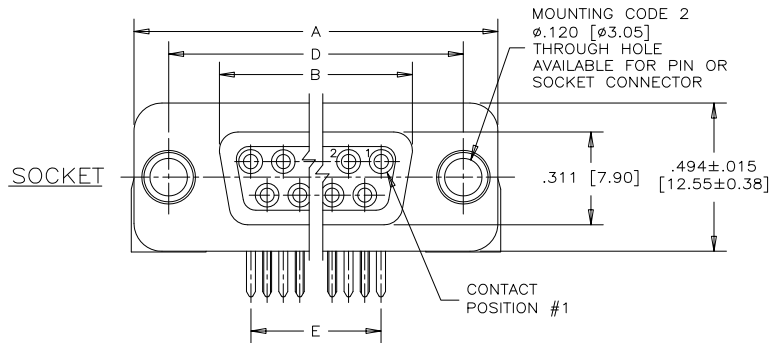
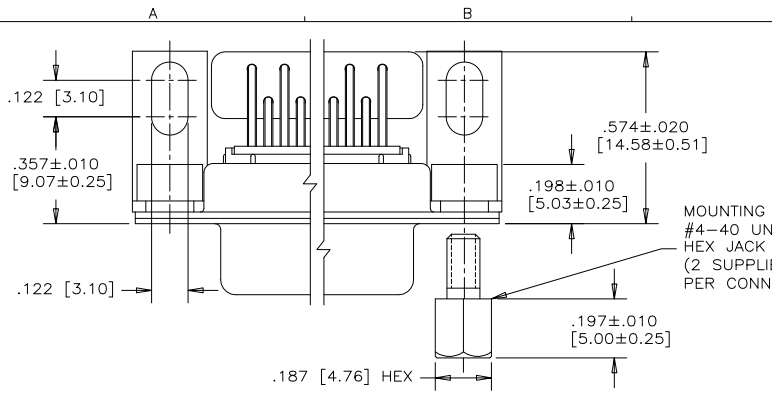
## Contact us

Tel: +86-755-8981 8866 Fax: +86-755-8427 6832

Email & Skype: info@chipsmall.com Web: www.chipsmall.com

Address: A1208, Overseas Decoration Building, #122 Zhenhua RD., Futian, Shenzhen, China





ORDERING CODE: F C E 1 7 - E 0 9 P B - 4 4 B G

SERIES: FCE17=FILTERED D-SUB, RoHS

SIZE/NUMBER OF CONTACTS: E09, A15, B25, OR C37

CONNECTOR STYLE: P=PIN, S=SOCKET

TERMINATION TYPE: B=.405 [10.29] FOOTPRINT

MOUNTING: 2=.120 [3.05] DIA THROUGH HOLE, 3=#4-40 UNC SELF-LOCKING THREAD, 4=#4-40 UNC THREAD, 6=M3 x 0.5 THREAD, E=CODE 4 MOUNTING WITH #4-40 UNC HEX JACK SOCKET SUPPLIED, F=FIXED FRONT JACK SOCKET #4-40 UNC

REVISIONS			
REV	ECN, ERN NO.	DATE	APPRD.
E	PRODUCT DRAWING (EAR 14498)	NOV9/16	K.L.

CONTACT FINISH/GOLD THICKNESS: NO DIGIT=STANDARD 15 MICRONS, [0.38 MICRONS] GOLD ON MATING AREA, G=50 MICRONS [1.27 MICRONS] GOLD ON MATING AREA

MODIFIER: B=METAL MOUNTING BRACKETS

FILTER CAPACITANCE: D=50 pF, 5=1000 pF, B=100 pF, 7=1200 pF, O=180 pF, 6=1300 pF, F=330 pF, J=1500 pF, L=380 pF, E=2200 pF, 1=470 pF, 9=5600 pF, 4=820 pF, 8=47000 pF, N=NO FILTERS

REFER TO AMPHENOL CATALOGUE FOR FILTER PERFORMANCE CHARACTERISTICS



- NOTES:
- MATERIALS: ALL MATERIALS ARE RoHS COMPLIANT.
    - SHELL: STEEL, TIN PLATED
    - CONTACTS: PHOSPHOR BRONZE, GOLD PLATED OVER 50µ" [1.27 MICRONS] NICKEL IN THE MATING AREA AND 100µ" [2.54 MICRONS] MIN. MATTE TIN ON THE TAILS.
    - INSULATOR: ENGINEERING THERMOPLASTIC, GLASS REINFORCED, UL FLAMMABILITY RATING 94V-0, COLOUR: BLACK
    - MOUNTING HARDWARE, STEEL OR COPPER ALLOY, TIN OR NICKEL PLATED.
  - CONTACT RESISTANCE: 15 MILLIOHMS MAXIMUM
  - INSULATION RESISTANCE: 3000 MEGOHMS MINIMUM
  - CURRENT RATING: 5 AMPS MAXIMUM
  - OPERATING TEMPERATURE: -40°C TO 85°C
  - TOLERANCE ±.005 [0.13] UNLESS INDICATED OTHERWISE.

SIZE	STYLE	A±.015 [0.38]	B±.005 [0.13]	C±.005 [0.13]	D±.005 [0.13]	E BSC.
E09	PIN	1.213 [30.81]	-----	.666 [16.92]	.984 [24.99]	.432 [10.97]
	SOCKET	-----	.643 [16.33]	-----	-----	-----
A15	PIN	1.541 [39.14]	-----	.994 [25.25]	1.312 [33.32]	.756 [19.20]
	SOCKET	-----	.971 [24.66]	-----	-----	-----
B25	PIN	2.088 [53.04]	-----	1.534 [38.96]	1.852 [47.04]	1.304 [33.12]
	SOCKET	-----	1.511 [38.38]	-----	-----	-----
C37	PIN	2.729 [69.32]	-----	2.182 [55.42]	2.500 [63.50]	1.956 [49.68]
	SOCKET	-----	2.159 [54.84]	-----	-----	-----

DRAWN: A.CHENG, DATE: JAN12/06

DESIGNED: \_\_\_\_\_

CHECKED: K.LAMBIE, DATE: JAN12/06

I. E. APPRD. \_\_\_\_\_

Q. A. APPRD. \_\_\_\_\_

DWG. APPRD. \_\_\_\_\_

ENG. REL. NO. \_\_\_\_\_

REF. EAR 12900

DIMENSIONS ARE IN INCHES [mm] CODE ID. NO. 03554

Amphenol Canada Corp.

FCE17 SERIES FILTERED D-SUB CONNECTOR, PIN & SOCKET, RIGHT ANGLE .405 [10.29] F/P, METAL MOUNTING BRACKET, RoHS COMPLIANT

DWG: DRAWING NO. C P-FCE17-XXXXB-XXBX

SCALE: 3/1, WT. \_\_\_\_\_, SURF. \_\_\_\_\_, SHEET 1 of 1

THIS DOCUMENT CONTAINS PROPRIETARY INFORMATION AND SUCH INFORMATION MAY NOT BE DISCLOSED TO OTHERS FOR ANY PURPOSE OR USED FOR MANUFACTURING PURPOSES WITHOUT WRITTEN PERMISSION FROM AMPHENOL CANADA CORP.