



Chipsmall Limited consists of a professional team with an average of over 10 year of expertise in the distribution of electronic components. Based in Hongkong, we have already established firm and mutual-benefit business relationships with customers from,Europe,America and south Asia,supplying obsolete and hard-to-find components to meet their specific needs.

With the principle of “Quality Parts,Customers Priority,Honest Operation,and Considerate Service”,our business mainly focus on the distribution of electronic components. Line cards we deal with include Microchip,ALPS,ROHM,Xilinx,Pulse,ON,Everlight and Freescale. Main products comprise IC,Modules,Potentiometer,IC Socket,Relay,Connector.Our parts cover such applications as commercial,industrial, and automotives areas.

We are looking forward to setting up business relationship with you and hope to provide you with the best service and solution. Let us make a better world for our industry!



Contact us

Tel: +86-755-8981 8866 Fax: +86-755-8427 6832

Email & Skype: info@chipsmall.com Web: www.chipsmall.com

Address: A1208, Overseas Decoration Building, #122 Zhenhua RD., Futian, Shenzhen, China





PRODUCT DATASHEET ANGELINA series

last update 3/11/2016

DETAILS

Product Number	FCN13578_ANGELINA-M
Family	ANGELINA
Type	RefPack
Color	metal
Diameter	82 mm
Height	36,94 mm
Style	round
Optic Material	
Holder Material	
Fastening	screw
Status	production ready
ROHS Compliant	Yes
Date Updated	3/11/2016



OPTICAL PROPERTIES

LED	Viewing Angle	Light Beam	Effi- ciency	cd/lm	Connector
LUXEON S2000	25 deg	Medium	92 %	2.000	LEDiL: LEDiL

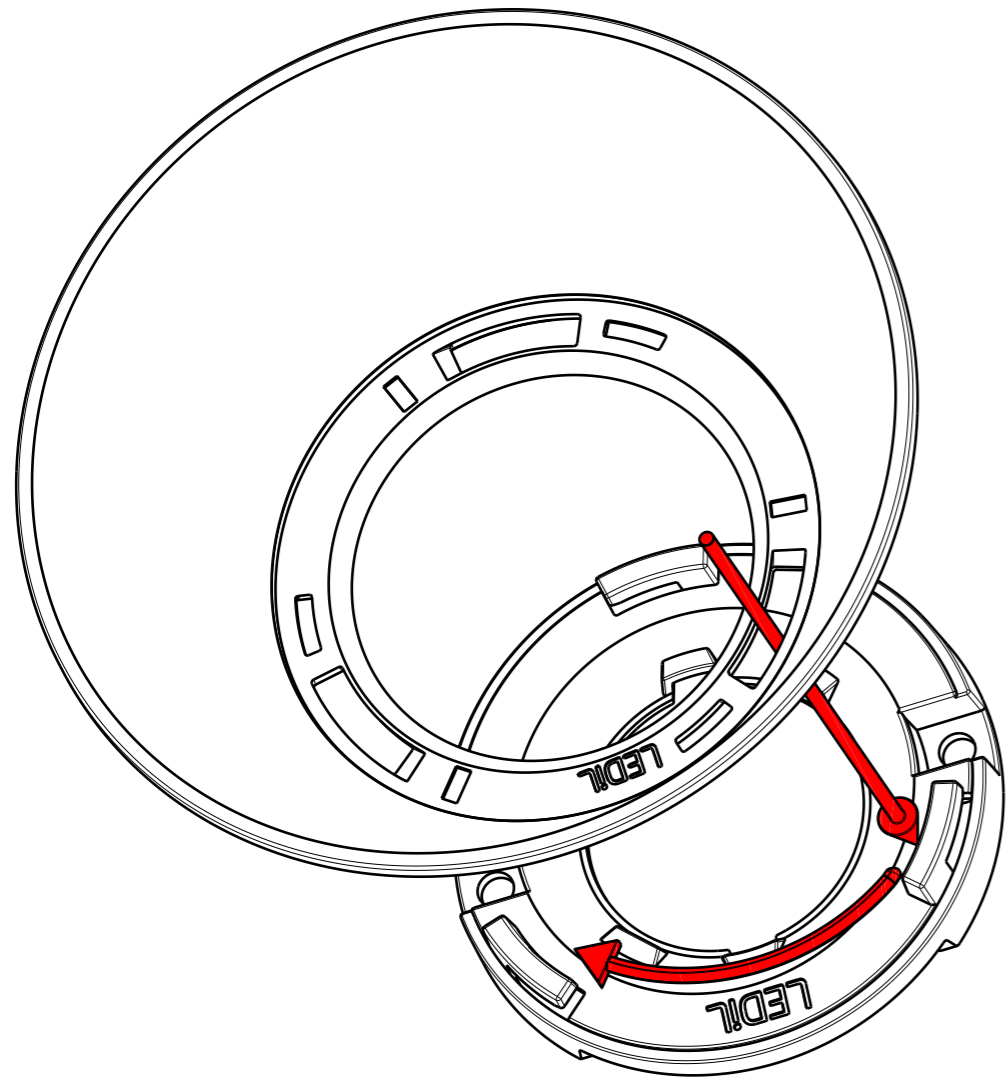
H G F E D C B A

4

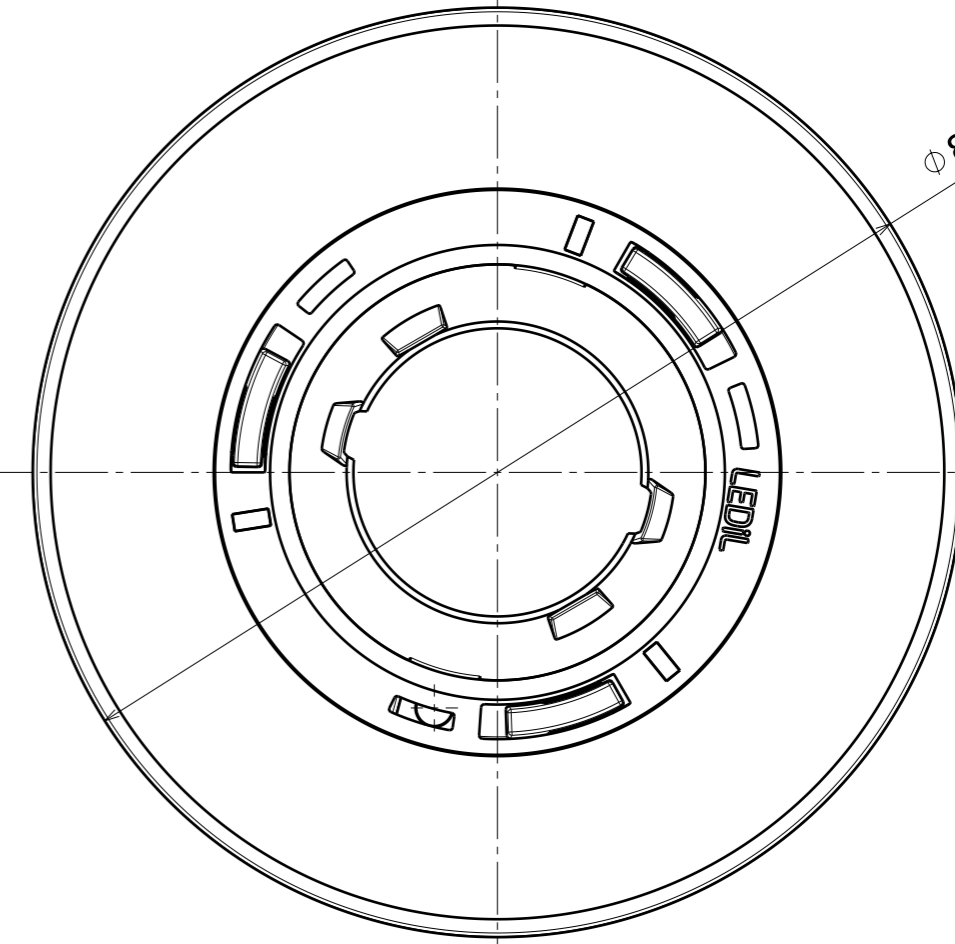
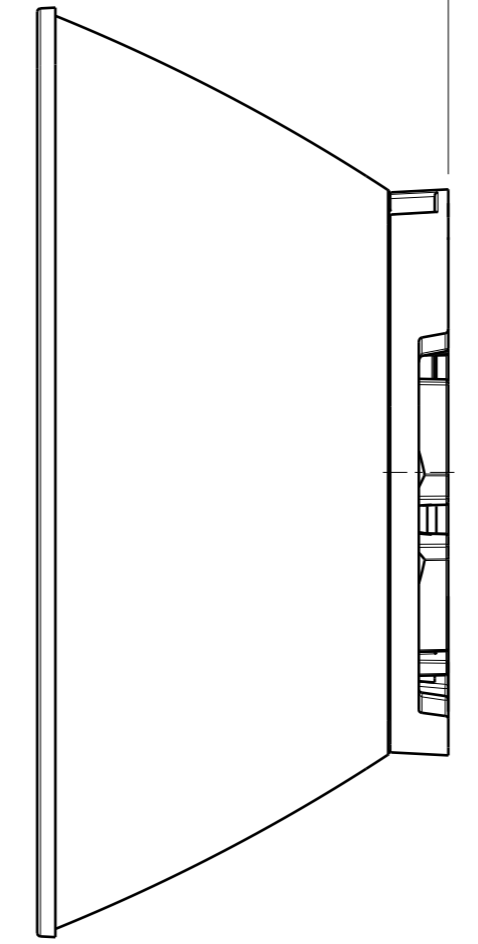
3


2

1



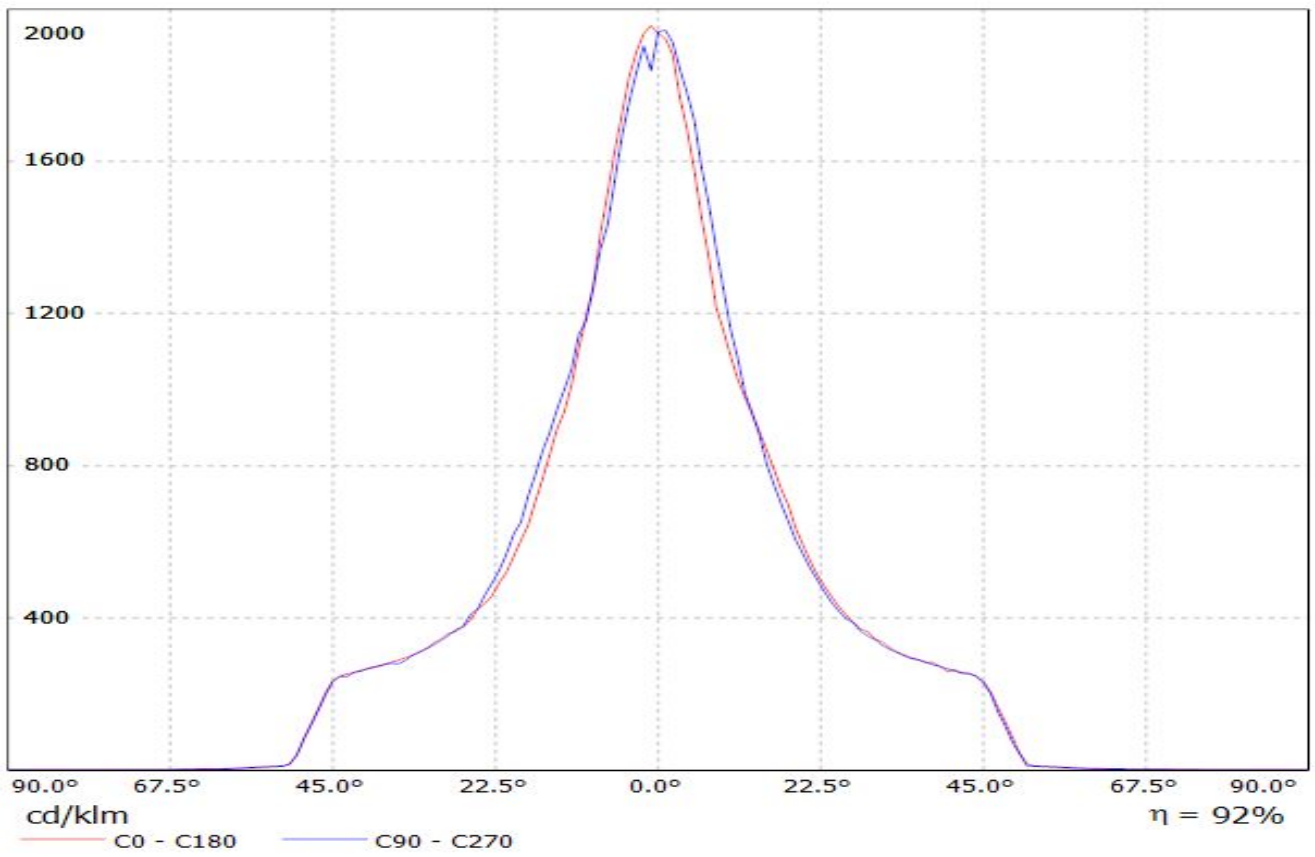
31 + Basepart



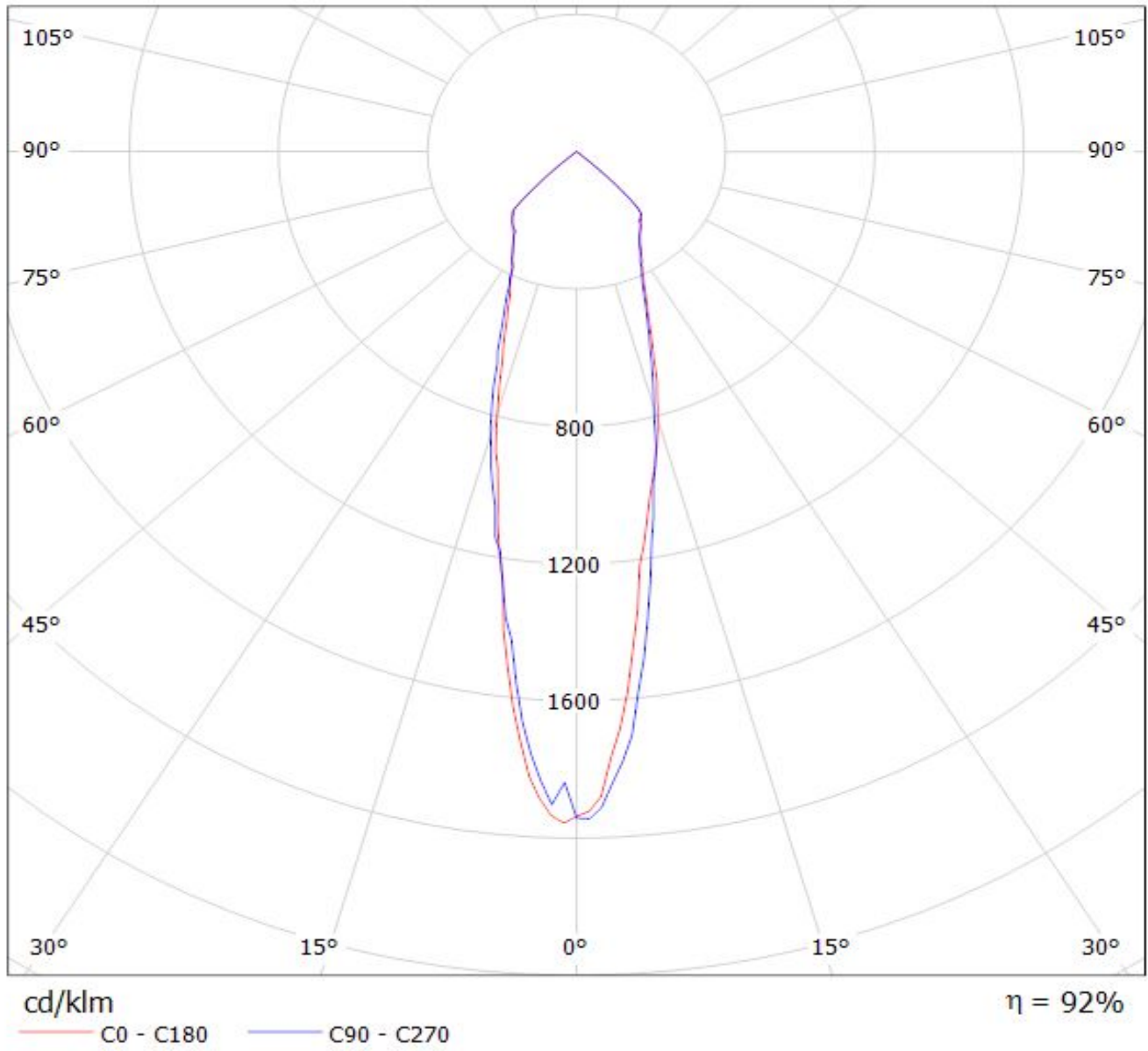
<p>Tolerances if not otherwise shown According to DIN ISO 2768-1 Linear measures: Up to 30mm class M, otherwise class C. According to DIN ISO 2768-2 Form and position: class L</p>		<p>LEDiL LediL Oy Salorankatu 10 FIN 24240 SALO Finland</p>	
<p>THIRD ANGLE PROJECTION: </p>		<p>DRAWING TITLE Datasheet_ANGELINA + CLAMP</p>	
<p>This drawing is the property of LEDiL Oy. It may not be reproduced, copied or communicated without a written agreement with LEDiL Oy.</p>		<p>SIZE A3</p>	<p>PART NUMBER -</p>
<p>SCALE 3:2</p>		<p>WEIGHT (g)</p>	<p>SHEET 1/1</p>

H G B A

Luminaire: LEDiL Oy FCN13578_ANGELINA-M_(Luxeon_S2000) Eff.92.3%
Lamps: 1 x Luxeon S2000 448.926lm@100mA CCT=3000K P=5W I=100mA



Luminaire: LEDiL Oy FCN13578_ANGELINA-M_(Luxeon_S2000) Eff.92.3%
Lamps: 1 x Luxeon S2000 448.926lm@100mA CCT=3000K P=5W I=100mA



NOTE: The typical divergence will be changed by different color, chip size and chip position tolerance. The typical total divergence is the full angle measured where the luminous intensity is half of the peak value.