



Chipsmall Limited consists of a professional team with an average of over 10 year of expertise in the distribution of electronic components. Based in Hongkong, we have already established firm and mutual-benefit business relationships with customers from,Europe,America and south Asia,supplying obsolete and hard-to-find components to meet their specific needs.

With the principle of “Quality Parts,Customers Priority,Honest Operation,and Considerate Service”,our business mainly focus on the distribution of electronic components. Line cards we deal with include Microchip,ALPS,ROHM,Xilinx,Pulse,ON,Everlight and Freescale. Main products comprise IC,Modules,Potentiometer,IC Socket,Relay,Connector.Our parts cover such applications as commercial,industrial, and automotives areas.

We are looking forward to setting up business relationship with you and hope to provide you with the best service and solution. Let us make a better world for our industry!



Contact us

Tel: +86-755-8981 8866 Fax: +86-755-8427 6832

Email & Skype: info@chipsmall.com Web: www.chipsmall.com

Address: A1208, Overseas Decoration Building, #122 Zhenhua RD., Futian, Shenzhen, China



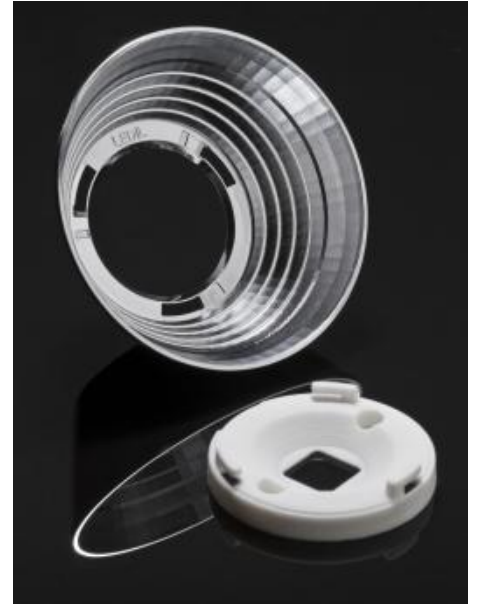


PRODUCT DATASHEET ANGELINA series

last update 3/11/2016

DETAILS

Product Number	FCN13582_ANGELINA-S
Family	ANGELINA
Type	RefPack
Color	metal
Diameter	82 mm
Height	36,9 mm
Style	round
Optic Material	
Holder Material	
Fastening	screw
Status	production ready
ROHS Compliant	Yes
Date Updated	3/11/2016



OPTICAL PROPERTIES

LED	Viewing Angle	Light Beam	Efficiency	cd/lm	Connector
LUXEON S3000	18 deg	Spot	92 %	3.200	LEDiL: LEDiL

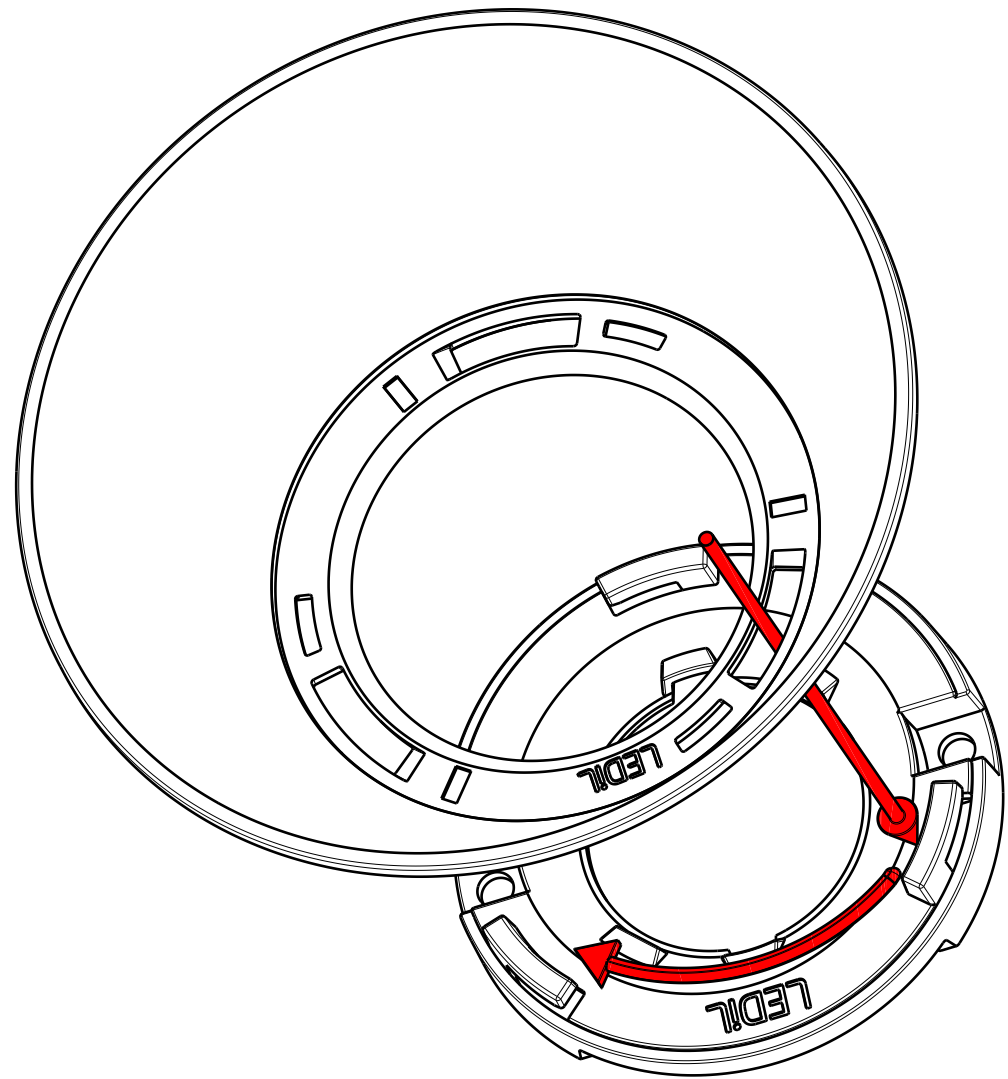
H G F E D C B A

4

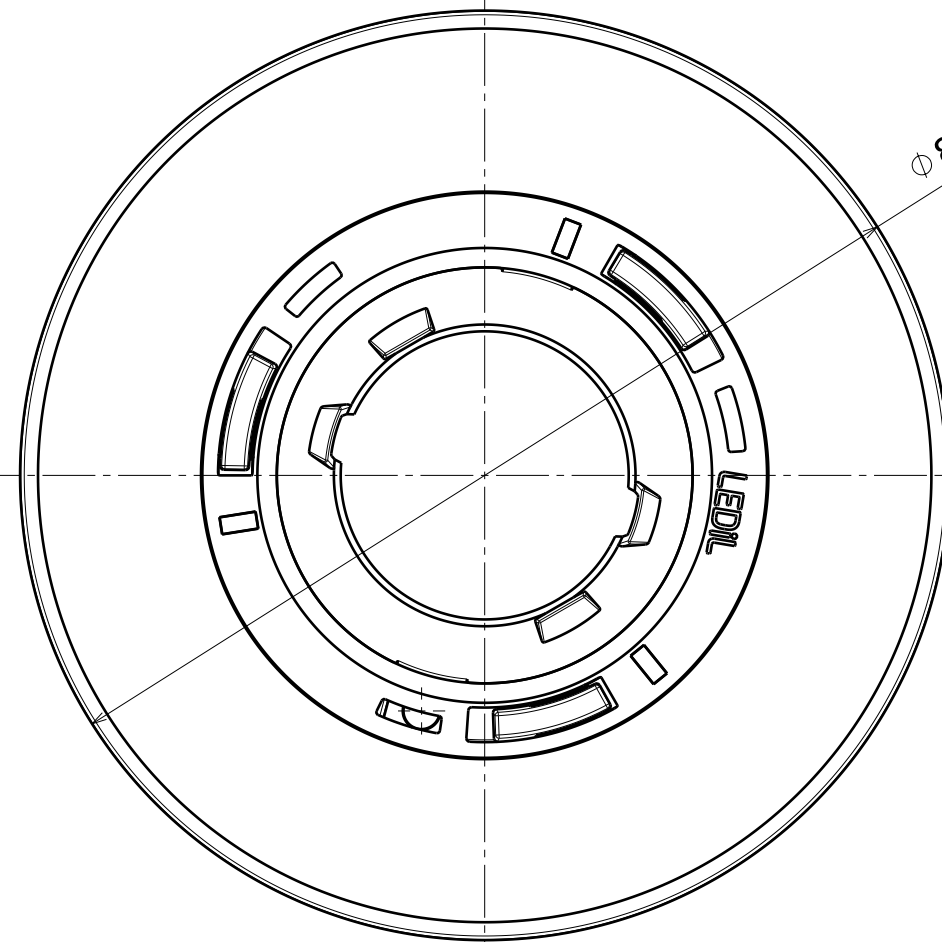
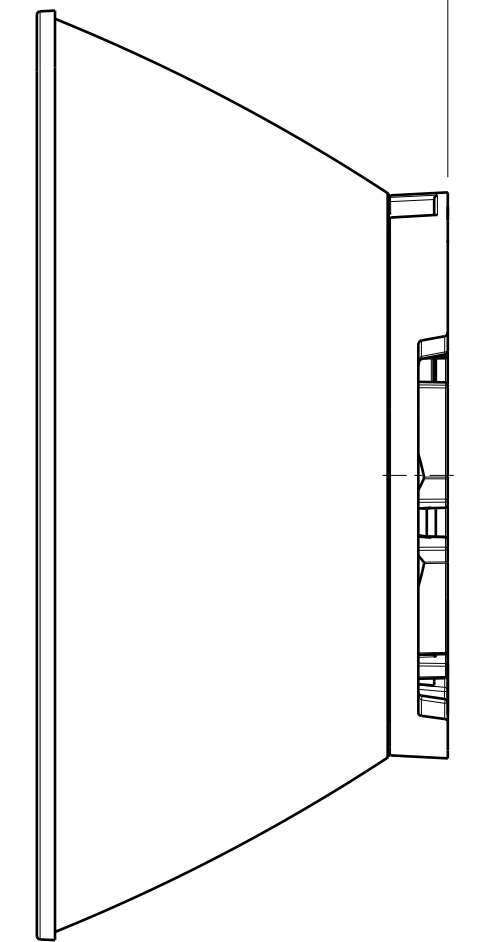
3

2

1



31 + Basepart



4

3

2

1

H G B A

Tolerances if not otherwise shown
 According to DIN ISO 2768-1
 Linear measures:
 Up to 30mm class M, otherwise class C.
 According to DIN ISO 2768-2
 Form and position: class L

LEDiL LediL Oy
 Salorankatu 10
 FIN 24240 SALO
 Finland

THIRD ANGLE PROJECTION:

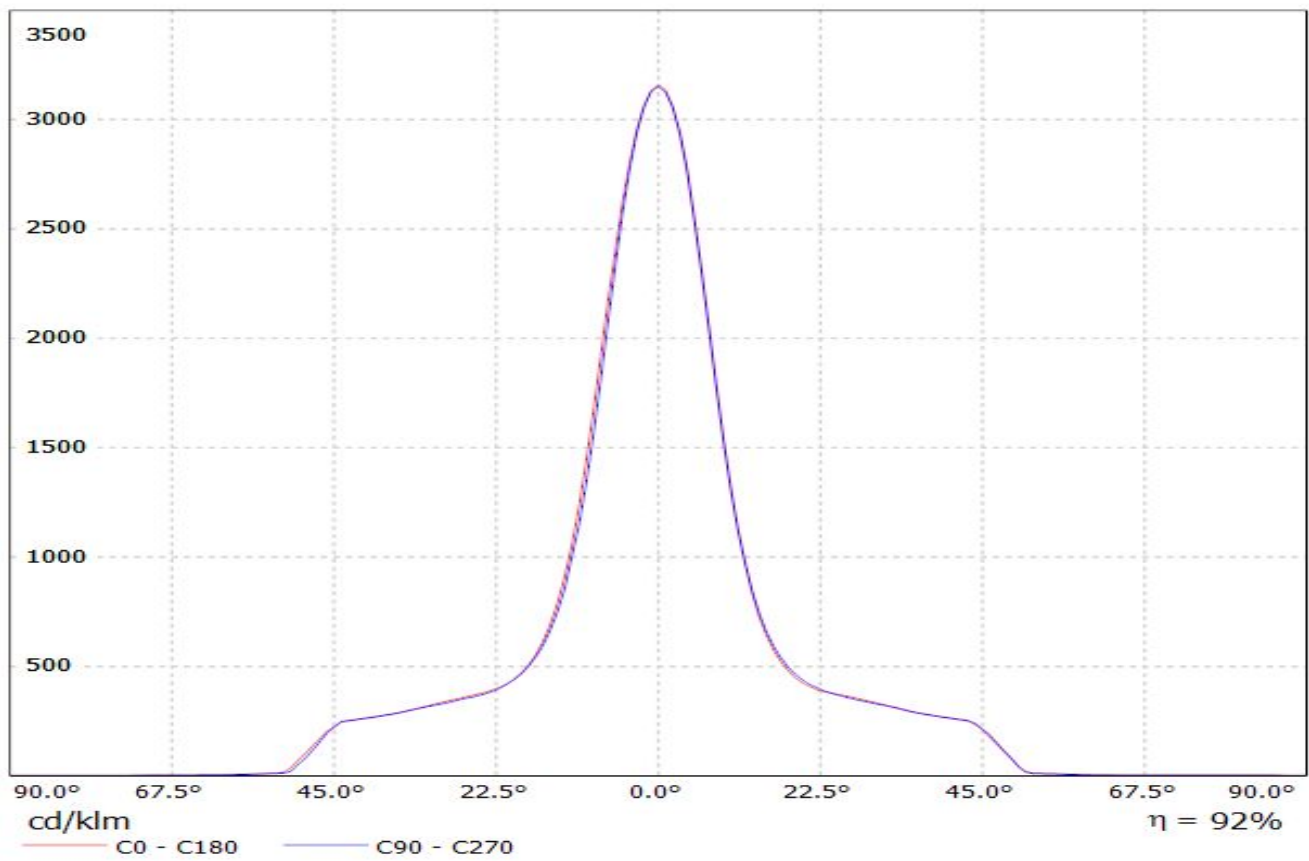
DRAWING TITLE
Datasheet_ANGELINA + CLAMP

This drawing is the property
 of LEDiL Oy. It may not be
 reproduced, copied or
 communicated without a written
 agreement with LEDiL Oy.

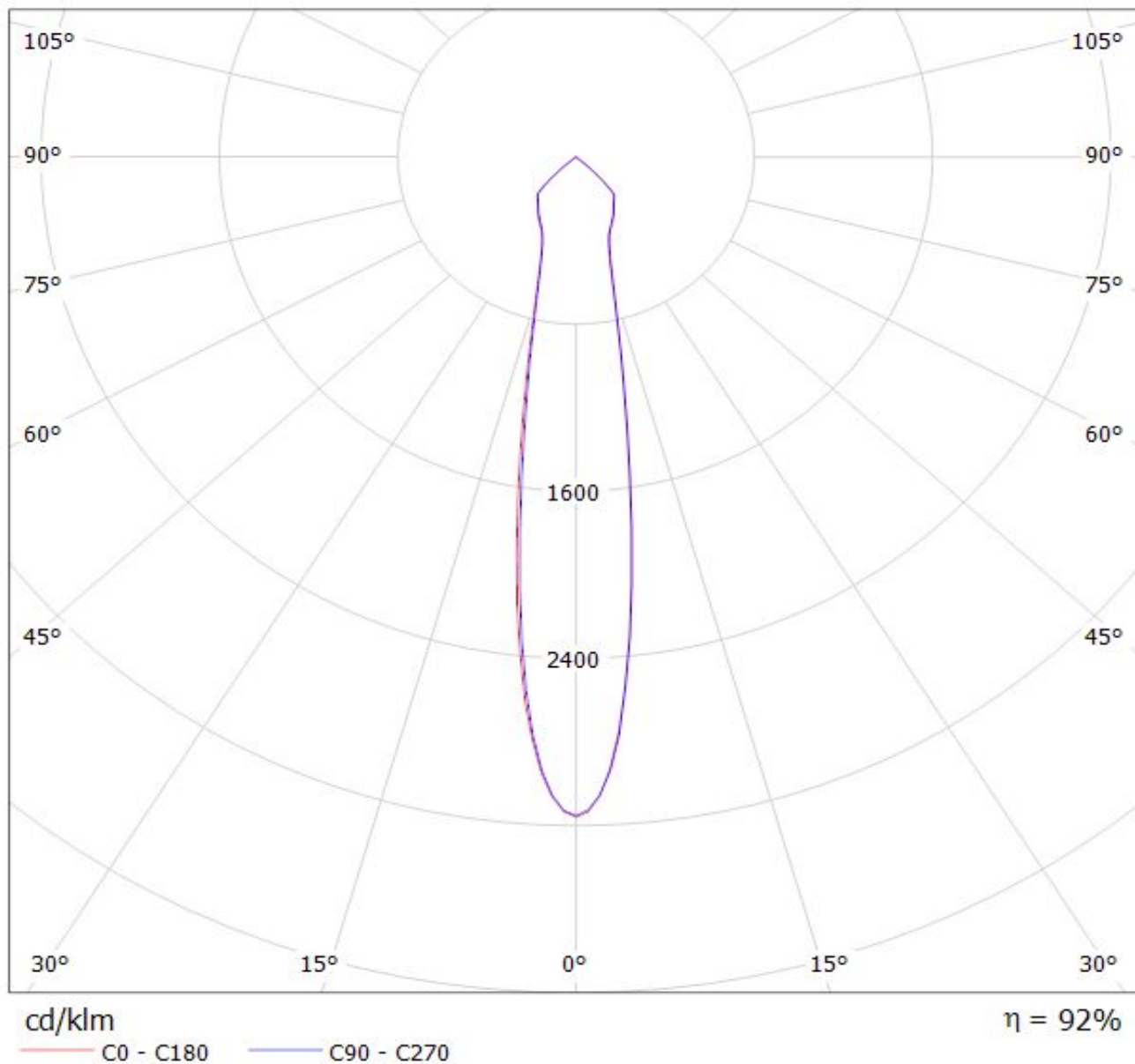
SIZE	PART NUMBER		
A3	-		

SCALE	3:2	WEIGHT	(g)	SHEET	1/1
-------	-----	--------	-----	-------	-----

Luminaire: LEDiL Oy FCN13694_ANGELINA-S_(Luxeon_S3000) Eff.92.2%
Lamps: 1 x Luxeon S3000 633.951lm@100mA CCT=3000K P=6W I=100mA



Luminaire: LEDiL Oy FCN13694_ANGELINA-S_(Luxeon_S3000) Eff.92.2%
Lamps: 1 x Luxeon S3000 633.95lm@100mA CCT=3000K P=6W I=100mA



NOTE: The typical divergence will be changed by different color, chip size and chip position tolerance. The typical total divergence is the full angle measured where the luminous intensity is half of the peak value.