



Chipsmall Limited consists of a professional team with an average of over 10 year of expertise in the distribution of electronic components. Based in Hongkong, we have already established firm and mutual-benefit business relationships with customers from,Europe,America and south Asia,supplying obsolete and hard-to-find components to meet their specific needs.

With the principle of "Quality Parts,Customers Priority,Honest Operation,and Considerate Service",our business mainly focus on the distribution of electronic components. Line cards we deal with include Microchip,ALPS,ROHM,Xilinx,Pulse,ON,Everlight and Freescale. Main products comprise IC,Modules,Potentiometer,IC Socket,Relay,Connector.Our parts cover such applications as commercial,industrial, and automotives areas.

We are looking forward to setting up business relationship with you and hope to provide you with the best service and solution. Let us make a better world for our industry!



Contact us

Tel: +86-755-8981 8866 Fax: +86-755-8427 6832

Email & Skype: info@chipsmall.com Web: www.chipsmall.com

Address: A1208, Overseas Decoration Building, #122 Zhenhua RD., Futian, Shenzhen, China





PRODUCT DATASHEET

Barbara series

last update 4/10/2016

DETAILS

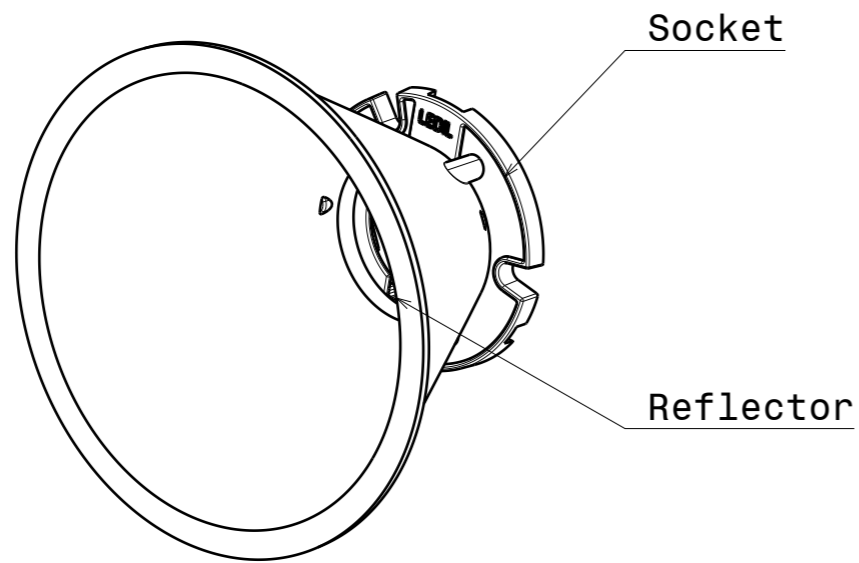
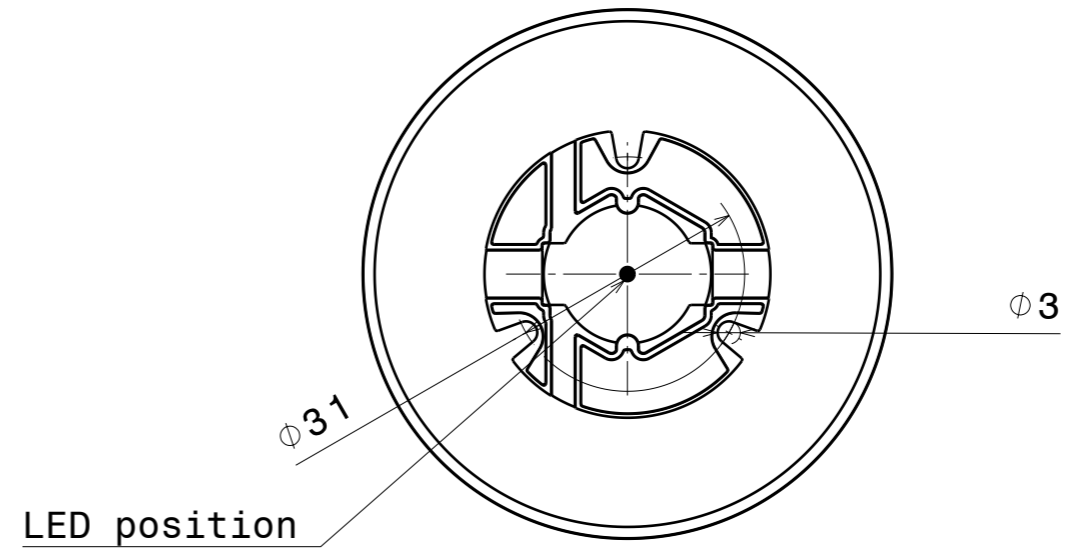
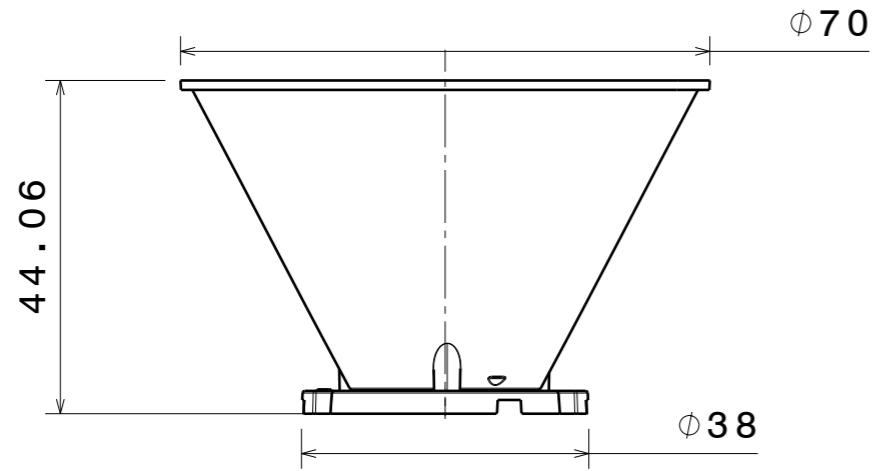
| | |
|------------------------|-------------------------------|
| Product Number | FCN13928_BARBARA-WW-PF-VERO10 |
| Family | Barbara |
| Type | RefPack |
| Color | metal |
| Diameter | 70 mm |
| Height | 41,7 mm |
| Style | round |
| Optic Material | |
| Holder Material | |
| Fastening | |
| Status | production ready |
| ROHS Compliant | Yes |
| Date Updated | 4/10/2016 |



OPTICAL PROPERTIES

| LED | Viewing Angle | Light Beam | Efficiency | cd/lm | Connector |
|--------|---------------|------------|------------|-------|-----------|
| VERO10 | 49 deg | Very Wide | 89 % | 1.500 | - |

H G F E D C B A



| INDEX | PART NO | MATERIAL | COLOUR |
|-------|-----------|----------|--------|
| 1 | Socket | PC | White |
| 2 | Reflector | PC | Metal |

Tolerances if not otherwise shown
 According to DIN ISO 2768-1
 Linear measures: class C
 According to DIN ISO 2768-2
 Form and position: class L

LEDiL LediL Oy
 Salorankatu 10
 FIN 24240 SALO
 Finland

THIRD ANGLE PROJECTION:

DRAWING TITLE
DATA SHEET BARBARA-PF-SOCKET-VER010

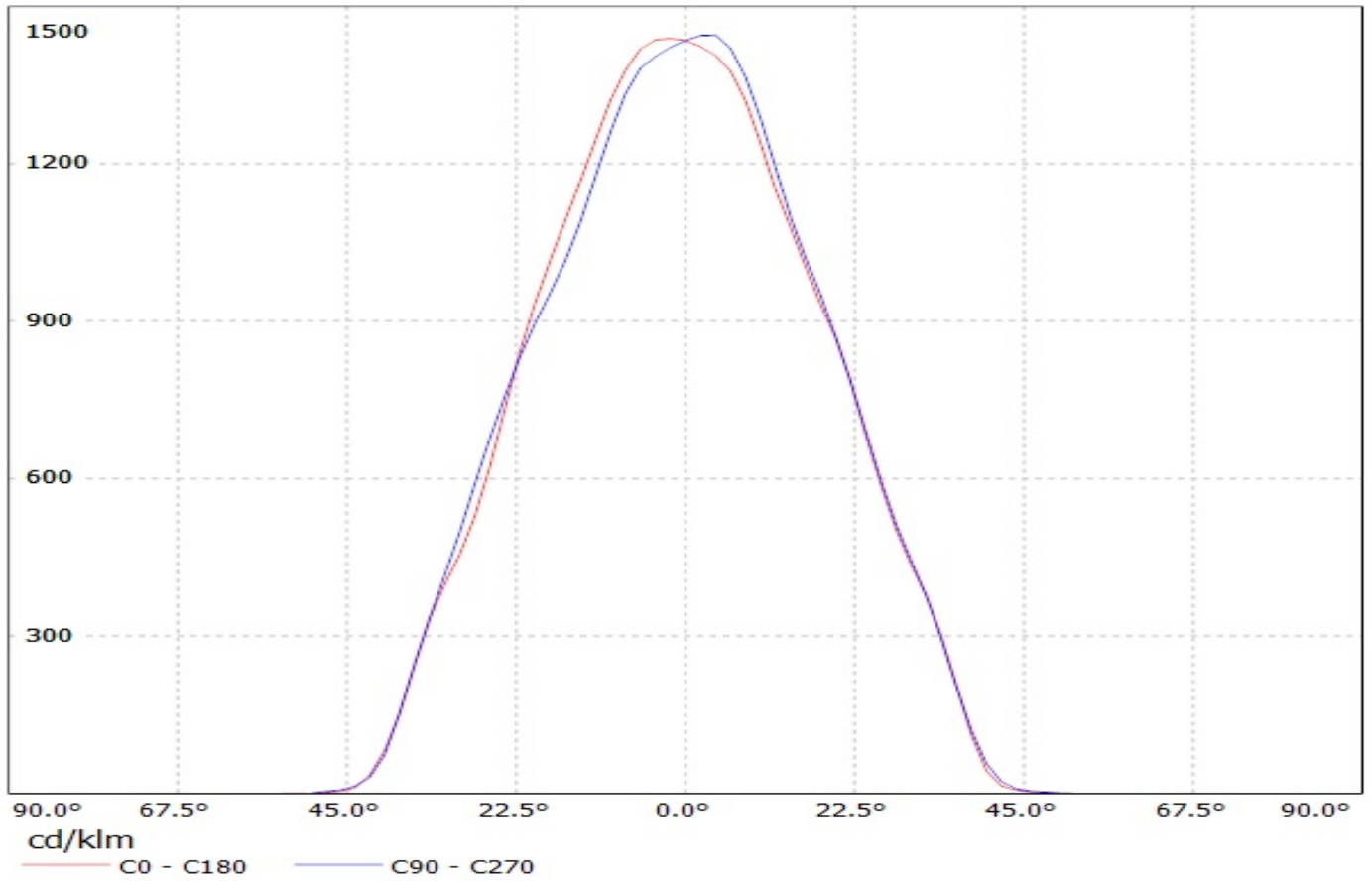
This drawing is the property of LEDiL Oy. It may not be reproduced, copied or communicated without a written agreement with LEDiL Oy.

SIZE A3 **PART NUMBER** -

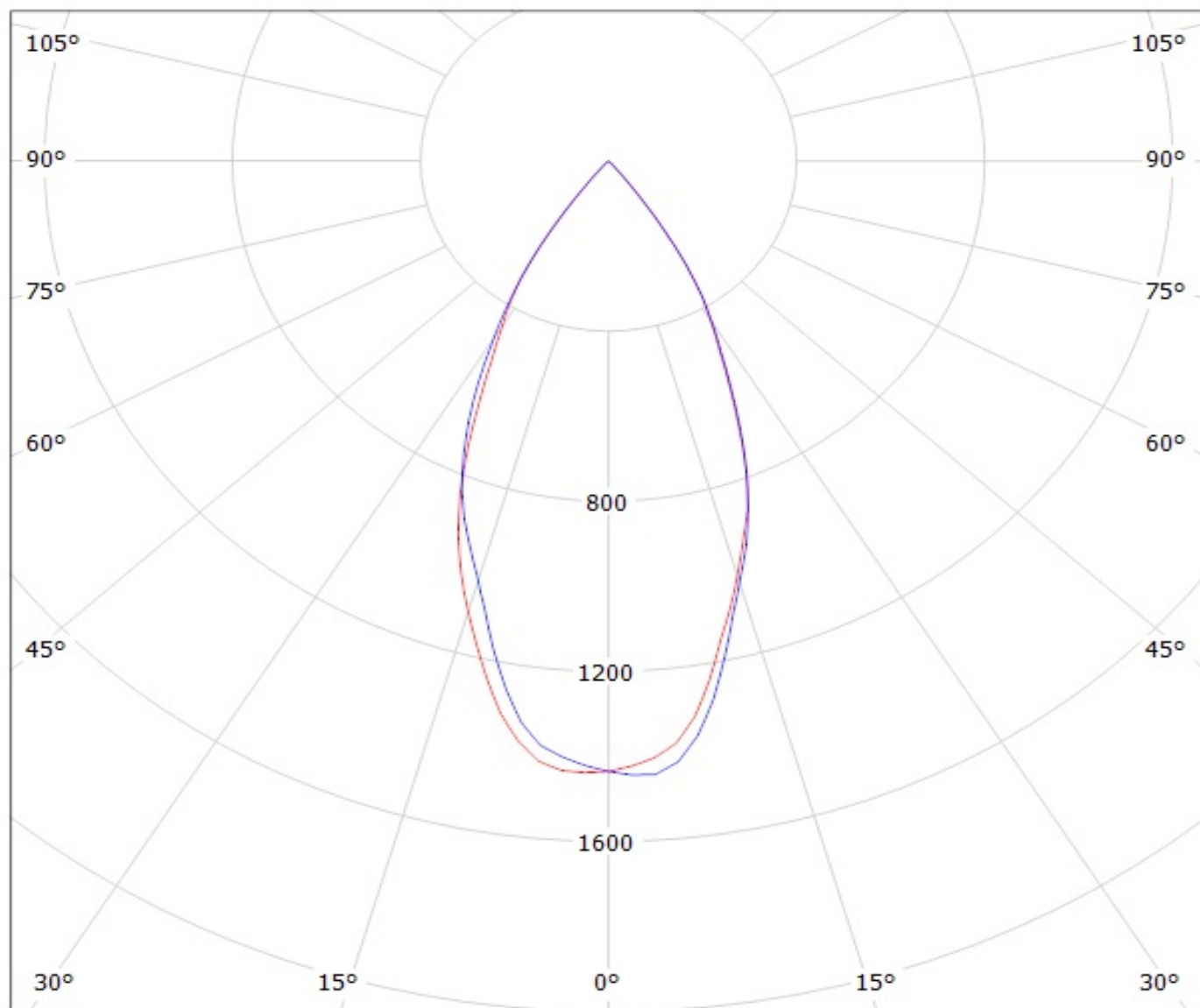
SCALE 1:1 **WEIGHT** - **SHEET** 1/1

H G B A

Luminaire: LEDil Oy FCN13928_BARBARA-WW-PF-VERO10_(VERO10) Efficiency=89%
Lamps: 1 x Bridgelux VERO10 (BXRC-35E1000B) 720lm @ 250mA CCT=3600K P=6.4W I=250mA



Luminaire: LEDil Oy FCN13928_BARBARA-WW-PF-VERO10_(VERO10) Efficiency=89%
Lamps: 1 x Bridgelux VERO10 (BXRC-35E1000B) 720lm @ 250mA CCT=3600K P=6.4W I=250mA



cd/klm

— C0 - C180

— C90 - C270

NOTE: The typical divergence will be changed by different color, chip size and chip position tolerance. The typical total divergence is the full angle measured where the luminous intensity is half of the peak value.

GENERAL INFORMATION

- Product series especially designed & optimized for series of LEDs.
- Special care taken to make light distribution as uniform as possible.

Note! Due to use of high power COB's with this product, special attention to proper thermal design is highly recommended. LEDiL has no liability for direct, indirect or consecutive damages arising from the LEDiL products being used outside of the recommended temperature range.