



Chipsmall Limited consists of a professional team with an average of over 10 year of expertise in the distribution of electronic components. Based in Hongkong, we have already established firm and mutual-benefit business relationships with customers from,Europe,America and south Asia,supplying obsolete and hard-to-find components to meet their specific needs.

With the principle of “Quality Parts,Customers Priority,Honest Operation,and Considerate Service”,our business mainly focus on the distribution of electronic components. Line cards we deal with include Microchip,ALPS,ROHM,Xilinx,Pulse,ON,Everlight and Freescale. Main products comprise IC,Modules,Potentiometer,IC Socket,Relay,Connector.Our parts cover such applications as commercial,industrial, and automotives areas.

We are looking forward to setting up business relationship with you and hope to provide you with the best service and solution. Let us make a better world for our industry!



Contact us

Tel: +86-755-8981 8866 Fax: +86-755-8427 6832

Email & Skype: info@chipsmall.com Web: www.chipsmall.com

Address: A1208, Overseas Decoration Building, #122 Zhenhua RD., Futian, Shenzhen, China



DETAILS

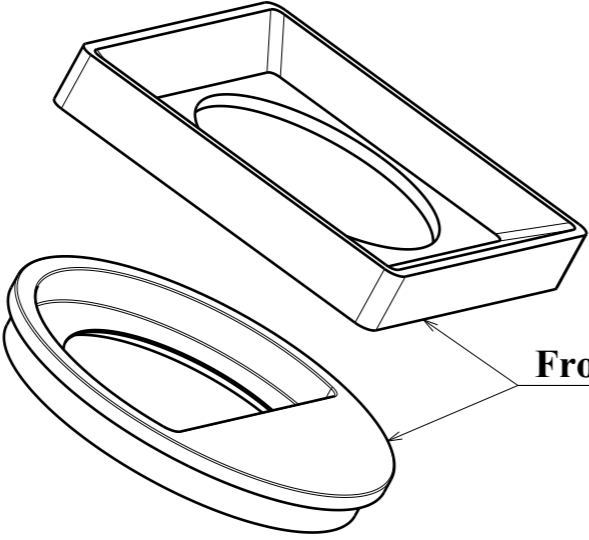
Product Number	FCN15209_RONDA-WAS
Family	Ronda
Type	Assembly
Color	white
Diameter	69,9 mm
Height	25,42 mm
Style	round
Optic Material	
Holder Material	
Fastening	snaps, socket, clips, screw
Status	production ready
ROHS Compliant	Yes
Date Updated	21/07/2016

OPTICAL PROPERTIES

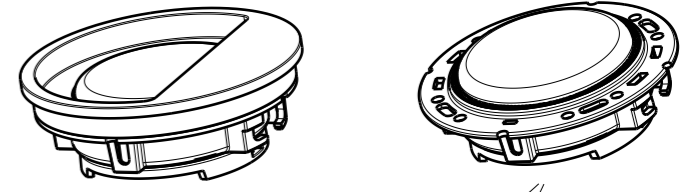
LED	Viewing	Light	Effi-		Connector
	Angle	Beam	ciency	cd/lm	
V10 Gen6	sim: Asymmetri	Asymmetric	sim: 84 %	sim: 1.050	LEDiL: LEDiL
CXA/B 15xx	Asymmetric deg	Asymmetric	91 %	0.950	LEDiL: LEDiL
CXA/B 1816 & CXA/B 1820 & CXA 1850	sim: Asymmetri	Asymmetric	sim: 86 %	sim: 0.900	LEDiL: LEDiL
CXA/B 1830	sim: Asymmetri	Asymmetric	sim: 85 %	sim: 0.860	LEDiL: LEDiL
Soleriq S13	sim: Asymmetri	Asymmetric	sim: 82 %	sim: 0.750	LEDiL: LEDiL



H G F E D C B A

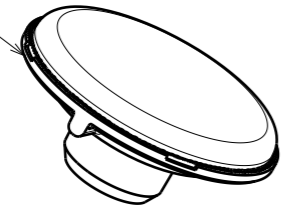


Front plate examples

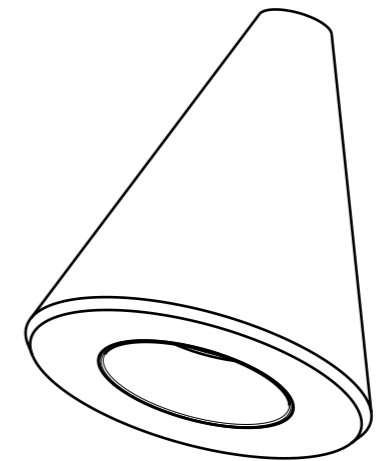


Examples

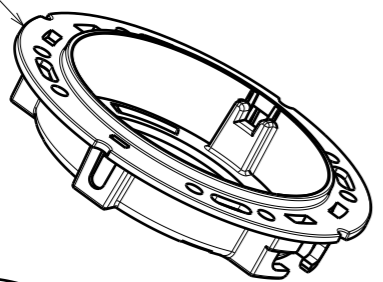
D=49.9



Optic

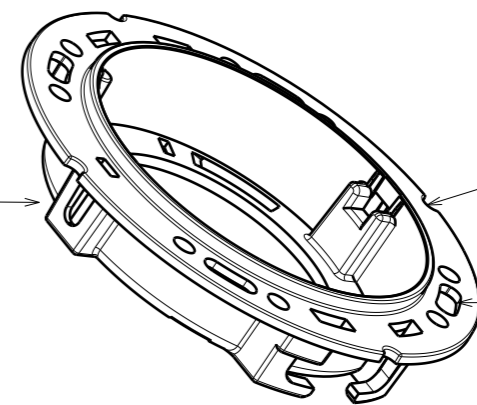


D=69.9mm



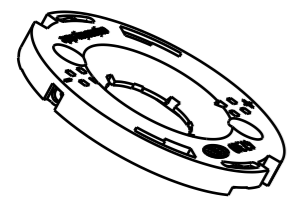
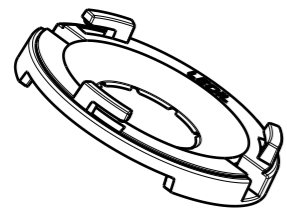
Ledil-clamp / TE / Bender-wirth / other twist and lock socket types (holder A)

Horizontal fix: M3 Nut + bolt



Rotation fix

Vertical fix: M3 Screw / Twist and lock / Snap



BJB and Stucchi 50mm (holder B)



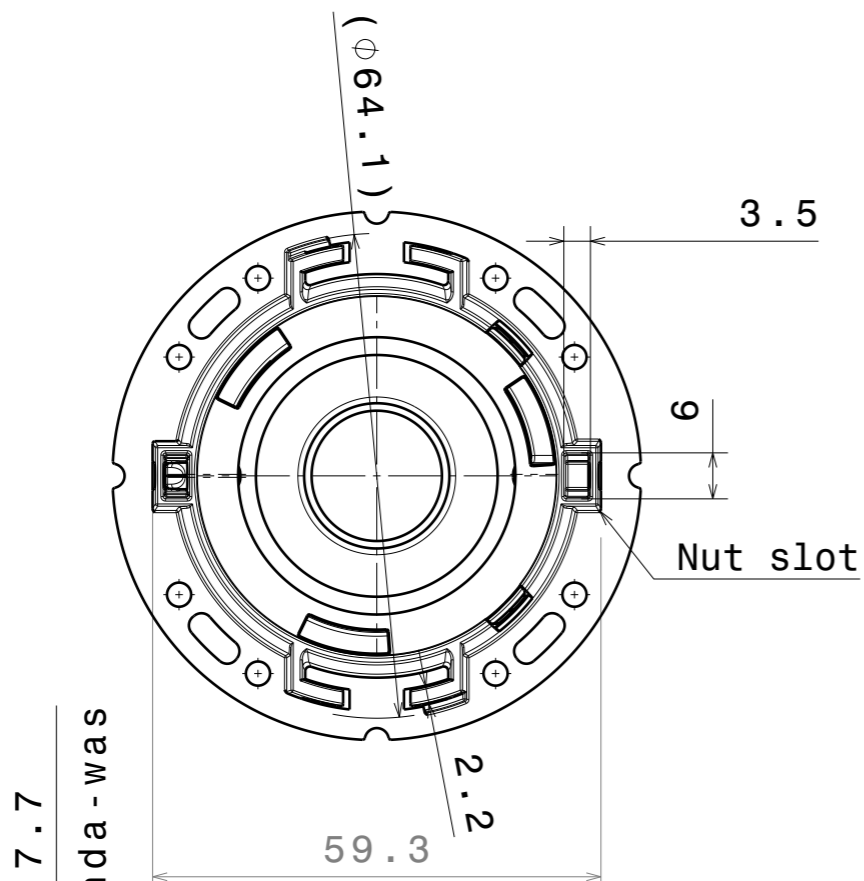
LES size up to ~14mm, see compatibility www.ledil.com

See more details on page 2 and 3

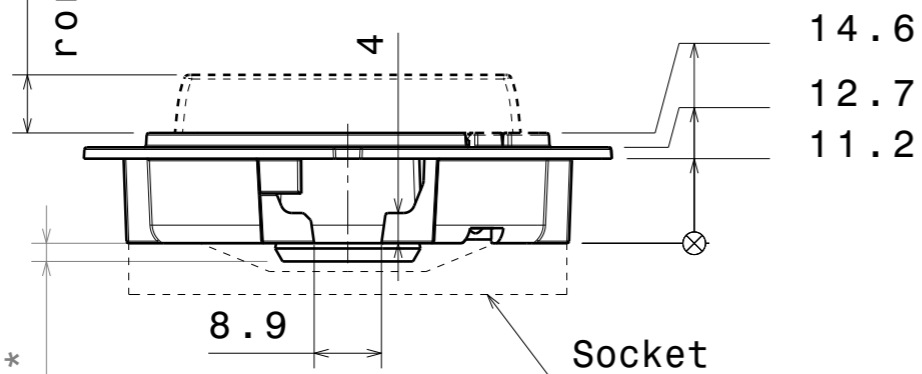
Tolerances if not otherwise shown According to DIN ISO 2768-1 Linear measures: up to 30mm class M, otherwise class C According to DIN ISO 2768-2 Form and position: class L		LEDiL Ledil Oy Salorankatu 10 FIN 24240 SALO Finland	
THIRD ANGLE PROJECTION:		DRAWING TITLE <p style="text-align: center;">RONDA-family</p>	
This drawing is the property of LEDiL Oy. It may not be reproduced, copied or communicated without a written agreement with LEDiL Oy.		SIZE <p style="text-align: center;">A3</p>	PART NUMBER <p style="text-align: center;">-</p>
		SCALE 1:1	WEIGHT -
		SHEET 1/3	

H G B A

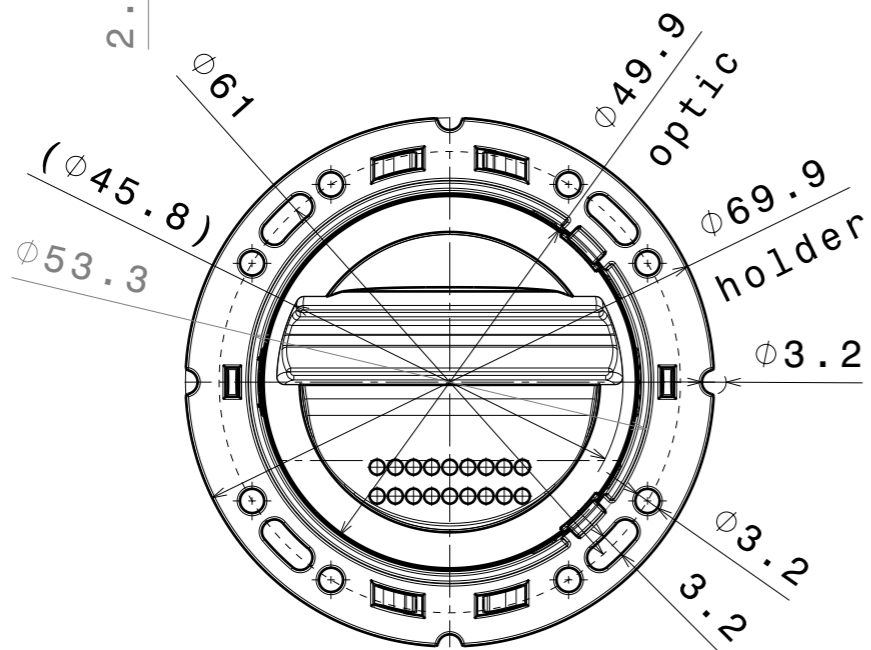
Bottom view



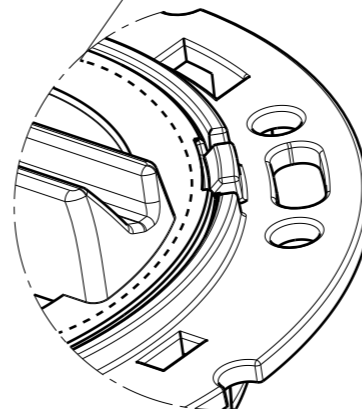
Front view



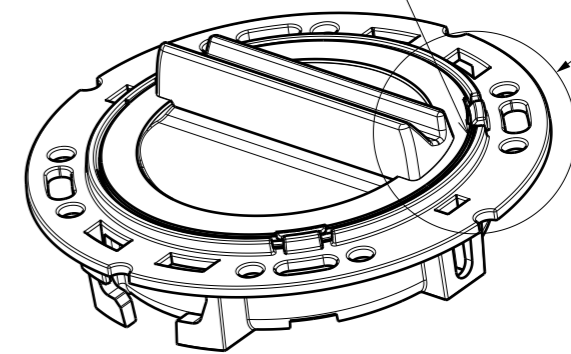
Top view



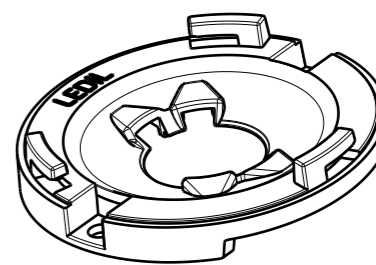
Front panel location suggestion when seamless look needed



Detail A



Isometric view



* Ensure from 3d according specific optic version

Tolerances if not otherwise shown
According to DIN ISO 2768-1
Linear measures:
up to 30mm class M, otherwise class C
According to DIN ISO 2768-2
Form and position: class L

LEDiL Ledil Oy
Salorankatu 10
FIN 24240 SALO
Finland

THIRD ANGLE PROJECTION:

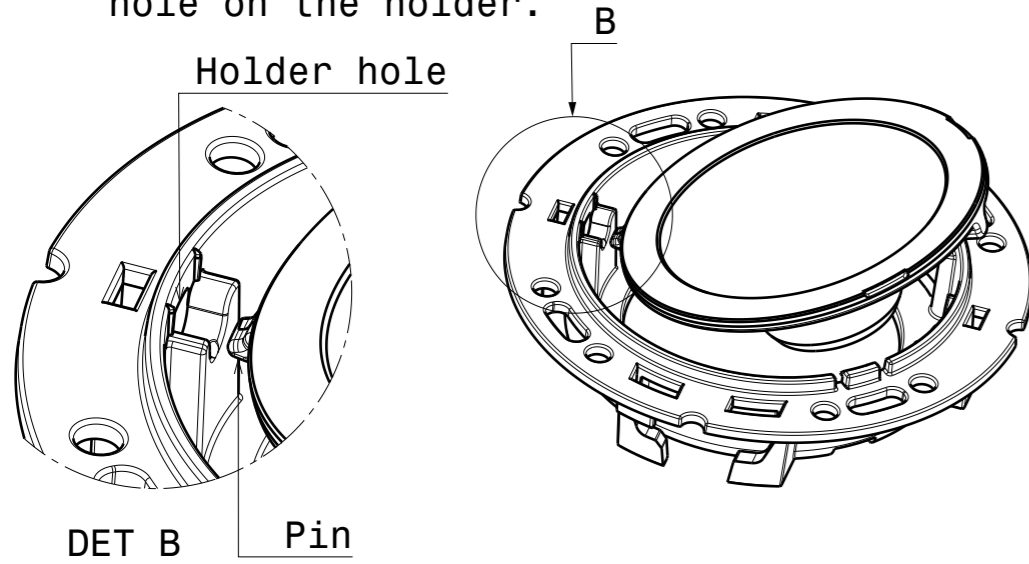
DRAWING TITLE
RONDA-family

This drawing is the property of LEDiL Oy. It may not be reproduced, copied or communicated without a written agreement with LEDiL Oy.

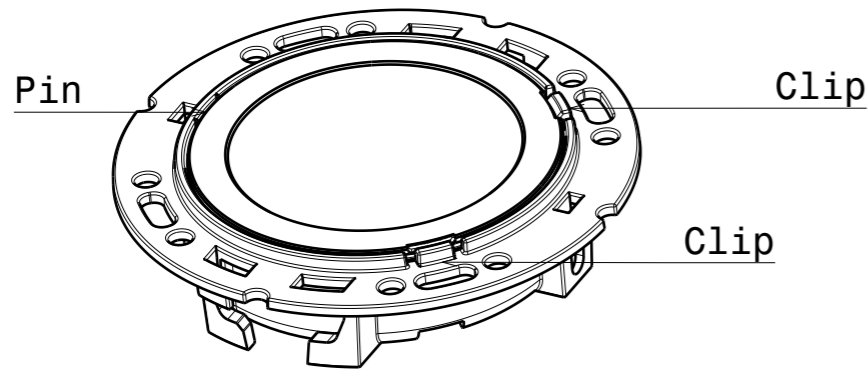
SIZE	PART NUMBER		
A3	-		
SCALE	1:1	WEIGHT	-
SHEET		2/3	

OPTIC/HOLDER ASSEMBLY

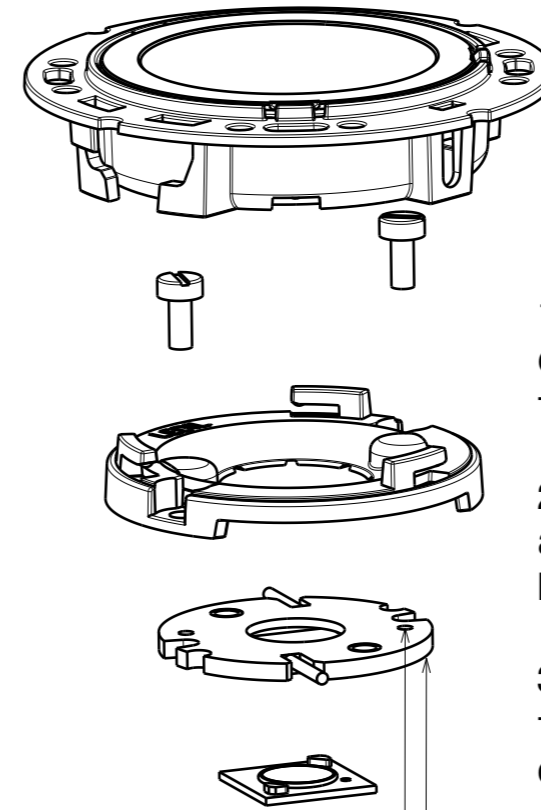
1. Place pin on the side of the lens into relative hole on the holder.



2. Press the lens under clips on the holder, ensuring both clips are fixed.



TYPICAL CONNECTOR ASSEMBLY (including solderless BENDER WIRTH as example)



1. Ensure correct relation of clamp and connector before screwing. Recommended torque 0.6Nm.

2. Assemble LED, BENDER&WIRTH connector and C13658_CLAMP-VER013-18 clamp on heatsink with M3 screw.

3. Attach optic by aligning the holes in the holder with hooks and turning the optic holder clockwise until it locks.

Bender&Wirth model 4xx Typ L1

Align clamp positioning pin with holes in the connector.

Tolerances if not otherwise shown
According to DIN ISO 2768-1
Linear measures:
up to 30mm class M, otherwise class C
According to DIN ISO 2768-2
Form and position: class L

LEDiL LediL Oy
Salorankatu 10
FIN 24240 SALO
Finland

THIRD ANGLE PROJECTION:

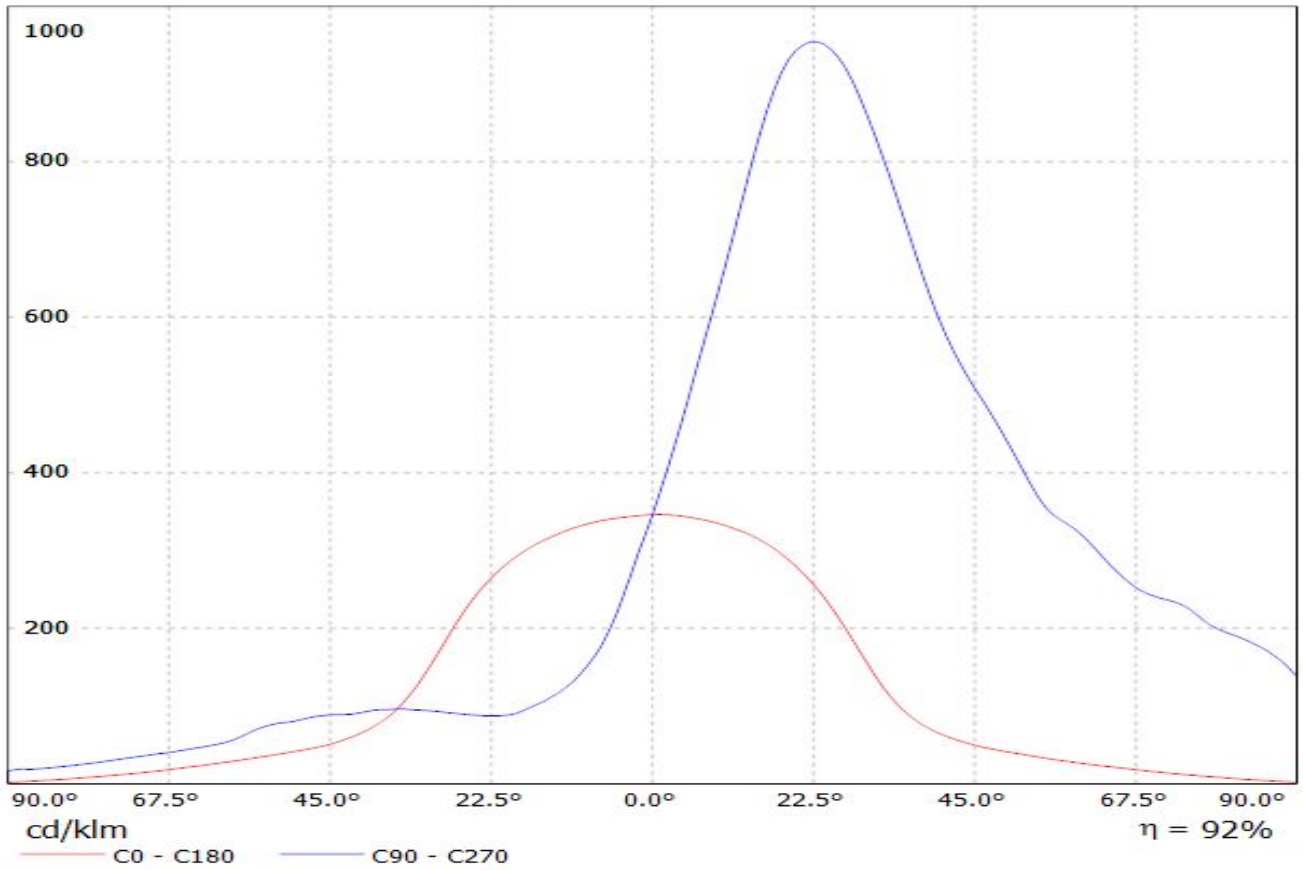
DRAWING TITLE
RONDA-family

This drawing is the property of LEDiL Oy. It may not be reproduced, copied or communicated without a written agreement with LEDiL Oy.

SIZE	PART NUMBER		
A3	-		
SCALE	1:1	WEIGHT	-
SHEET		3/3	

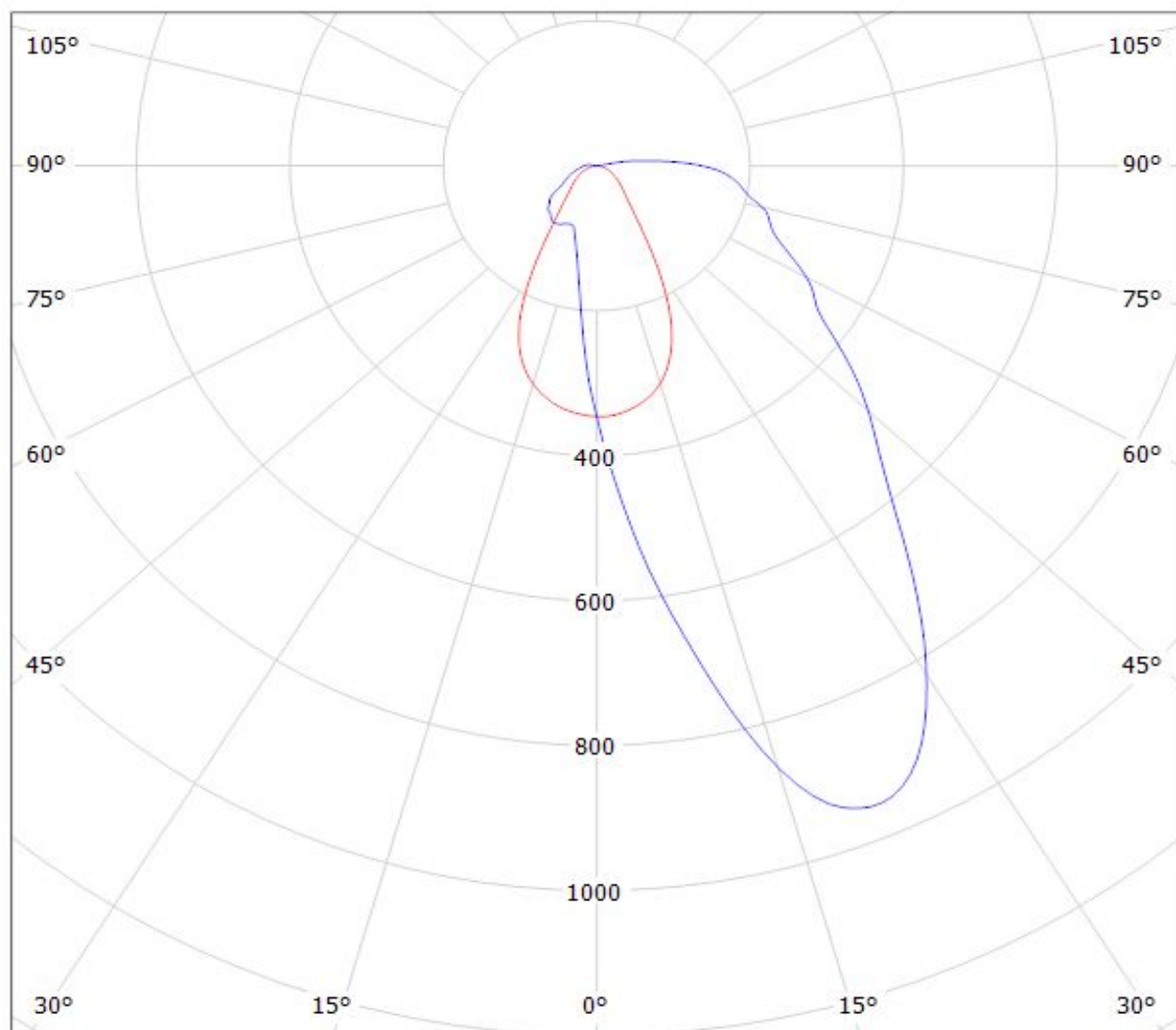
Luminaire: LEDiL Oy F15156_RONDA-WAS_(CXA1520)

Lamps: 1 x Cree_CXA1520_(CXA1520-30F-N4-N0H-0001)_982.885lm@250mA_P=8.57638W_I=0.250A



Luminaire: LEDiL Oy F15156_RONDA-WAS_(CXA1520)

Lamps: 1 x Cree_CXA1520_(CXA1520-30F-N4-N0H-0001)_982.885lm@250mA_P=8.57638W_I=0.250A



cd/klm

$\eta = 92\%$

— C0 - C180 — C90 - C270

NOTE: The typical divergence will be changed by different color, chip size and chip position tolerance. The typical total divergence is the full angle measured where the luminous intensity is half of the peak value.

GENERAL INFORMATION

- Product series especially designed & optimized for series of LEDs.
- Special care taken to make light distribution as uniform as possible.

Note! Due to use of high power COB's with this product, special attention to proper thermal design is highly recommended. LEDiL has no liability for direct, indirect or consecutive damages arising from the LEDiL products being used outside of the recommended temperature range.