



Chipsmall Limited consists of a professional team with an average of over 10 year of expertise in the distribution of electronic components. Based in Hongkong, we have already established firm and mutual-benefit business relationships with customers from,Europe,America and south Asia,supplying obsolete and hard-to-find components to meet their specific needs.

With the principle of “Quality Parts,Customers Priority,Honest Operation,and Considerate Service”,our business mainly focus on the distribution of electronic components. Line cards we deal with include Microchip,ALPS,ROHM,Xilinx,Pulse,ON,Everlight and Freescale. Main products comprise IC,Modules,Potentiometer,IC Socket,Relay,Connector.Our parts cover such applications as commercial,industrial, and automotives areas.

We are looking forward to setting up business relationship with you and hope to provide you with the best service and solution. Let us make a better world for our industry!



Contact us

Tel: +86-755-8981 8866 Fax: +86-755-8427 6832

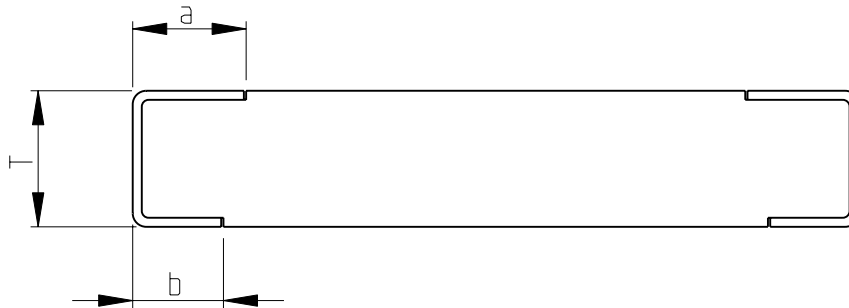
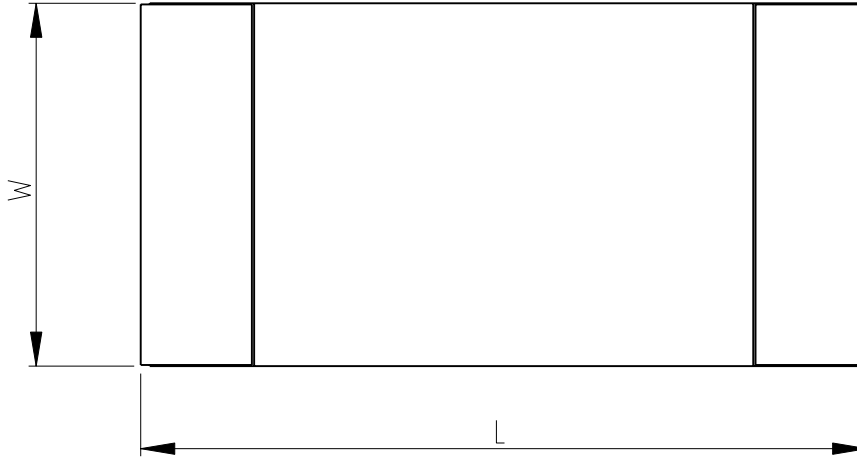
Email & Skype: info@chipsmall.com Web: www.chipsmall.com

Address: A1208, Overseas Decoration Building, #122 Zhenhua RD., Futian, Shenzhen, China

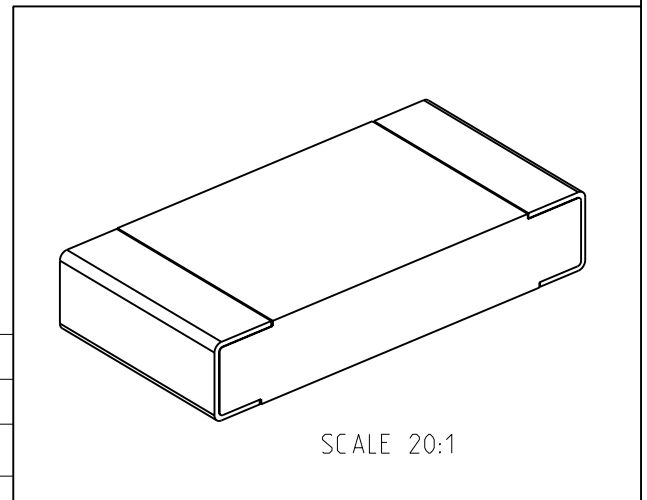


LOC	DIST	REVISIONS					
E	B	P	LTR	DESCRIPTION	DATE	DWN	APVD
				BA1 REVISED PER ECO-11-005150	29MAR2011	RK	HMR

FOR FURTHER INFORMATION SEE DATA SHEET FOR FCR SERIES-FUSIBLE CHIP RESISTORS



RoHS Compliant



2010	5.0±0.2	2.5±0.2	0.6±0.1	0.5±0.3	0.4+0.2/-0.1
1206	3.2±0.2	1.6±0.2	0.6±0.1	0.5±0.3	0.5±0.25
STYLE	L	W	T	a	b


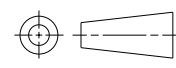
2008

RELEASED FOR PUBLICATION

ALL RIGHTS RESERVED.

© COPYRIGHT 2008

THIS DRAWING IS UNPUBLISHED.

DIMENSIONS:		DWN	04-DEC-08	MATERIAL	-	FINISH	-
mm		SUBHASH.M		 TE Connectivity			
TOLERANCES UNLESS OTHERWISE SPECIFIED:		CHK	04-DEC-08				
0 PLC ± 0.2		APVD	04-DEC-08				
1 PLC ± 0.1		STEPHEN.P					
2 PLC ± -		PRODUCT SPEC	-	NAME			
3 PLC ± -		APPLICATION SPEC	-	FUSIBLE CHIP RESISTORS			
4 PLC ± -				SIZE	CAGE CODE	DRAWING NO	RESTRICTED TO
ANGLES ± 5°				A 4	00779	©- 1879229	-
		WEIGHT	-	CUSTOMER DRAWING			
				SCALE	30:1	SHEET	1 OF 1
							REV BA1