



Chipsmall Limited consists of a professional team with an average of over 10 year of expertise in the distribution of electronic components. Based in Hongkong, we have already established firm and mutual-benefit business relationships with customers from,Europe,America and south Asia,supplying obsolete and hard-to-find components to meet their specific needs.

With the principle of “Quality Parts,Customers Priority,Honest Operation,and Considerate Service”,our business mainly focus on the distribution of electronic components. Line cards we deal with include Microchip,ALPS,ROHM,Xilinx,Pulse,ON,Everlight and Freescale. Main products comprise IC,Modules,Potentiometer,IC Socket,Relay,Connector.Our parts cover such applications as commercial,industrial, and automotives areas.

We are looking forward to setting up business relationship with you and hope to provide you with the best service and solution. Let us make a better world for our industry!



Contact us

Tel: +86-755-8981 8866 Fax: +86-755-8427 6832

Email & Skype: info@chipsmall.com Web: www.chipsmall.com

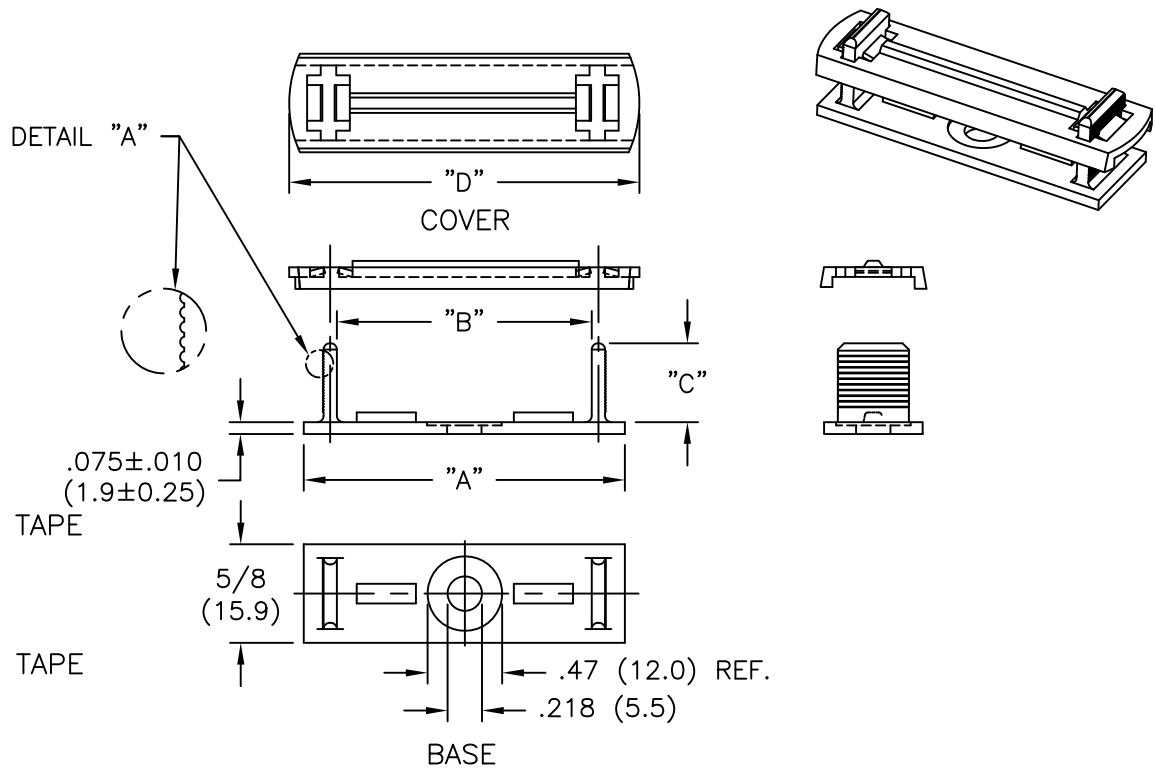
Address: A1208, Overseas Decoration Building, #122 Zhenhua RD., Futian, Shenzhen, China



BASE PART NO.	"A" REF.	"B" REF.	"C"	COVER PART NO.	"D" REF.
FCRCSH-13B-4	2.04 (51.7)	1.62 (41.2)	1/2 (12.7)	FCRC-13C	2.24 (56.8)
FCRCSH-13B-6			3/4 (19.1)		
FCRCSH-19B-4	2.72 (69.1)	2.31 (58.7)	1/2 (12.7)	FCRC-19C	2.92 (74.2)
FCRCSH-19B-6			3/4 (19.1)		
FCRCSH-21B-4	2.98 (75.7)	2.55 (64.8)	1/2 (12.7)	FCRC-21C	3.17 (80.5)
FCRCSH-21B-6			3/4 (19.1)		
FCRCSH-26B-4	3.66 (93.0)	3.24 (82.3)	1/2 (12.7)	FCRC-26C	3.86 (98.0)
FCRCSH-26B-6			3/4 (19.1)		

NOTES:

- MATERIAL: NYLON 6/6 (RMS-01).
FLAME RETARDANT NYLON (RMS-19),
AVAILABLE BY SPECIAL ORDER ONLY.
- COLOR: NATURAL.
- TAPE:
1/32 (0.8) THICK, ACRYLIC ADHESIVE TAPE
(RMS-15), WHITE LINER,
AVAILABLE BY SPECIAL ORDER ONLY.
TO ORDER ADD "A" AS SUFFIX.
1/32 (0.8) THICK, RUBBER ADHESIVE TAPE
(RMS-102), BLUE LINER,
AVAILABLE BY SPECIAL ORDER ONLY.
TO ORDER, SPECIFY "A1" AS SUFFIX.



F		SEE CO 200773 FOR CHANGES		SK 04.30.12		TITLE: FLAT CABLE ROUTING CLAMP, SERRATED W/HOLE			DWG IN IN (MM)		FINAL		
E		CORRECTED COVER PART NUMBERS		SM 03.25.02		TOLERANCES UNLESS NOTED		FILE # FCRCSH		DWN: SM		APP:	
D		ADDED PREVIOUS REV A AND B		SM 03.18.02		.XX=±.010		MAT'L: SEE NOTES		DT: 03/05/02		DT:	
C		COMPLETELY RE-DRAWN		SM 03.05.02		.XXX=±.005		RE: RICHCO, INC.		RICHCO INC.		PART #	
B		CONVERTED TO ACAD		PB 04.22.94		FRAC=±1/64		PO BOX 804238, CHICAGO, 60680		SEE TABLE		PRINT TYPE	
A		P/N FCRCSH WAS FCRC: HOLE ADDED		RS 09.03.91		ANG=±1'		(773) 539-4060				CA	
REV		DESCRIPTION		ENGR DATE									