



Chipsmall Limited consists of a professional team with an average of over 10 year of expertise in the distribution of electronic components. Based in Hongkong, we have already established firm and mutual-benefit business relationships with customers from,Europe,America and south Asia,supplying obsolete and hard-to-find components to meet their specific needs.

With the principle of “Quality Parts,Customers Priority,Honest Operation,and Considerate Service”,our business mainly focus on the distribution of electronic components. Line cards we deal with include Microchip,ALPS,ROHM,Xilinx,Pulse,ON,Everlight and Freescale. Main products comprise IC,Modules,Potentiometer,IC Socket,Relay,Connector.Our parts cover such applications as commercial,industrial, and automotives areas.

We are looking forward to setting up business relationship with you and hope to provide you with the best service and solution. Let us make a better world for our industry!



Contact us

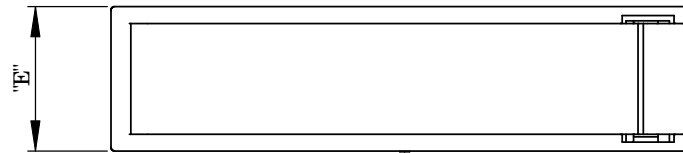
Tel: +86-755-8981 8866 Fax: +86-755-8427 6832

Email & Skype: info@chipsmall.com Web: www.chipsmall.com

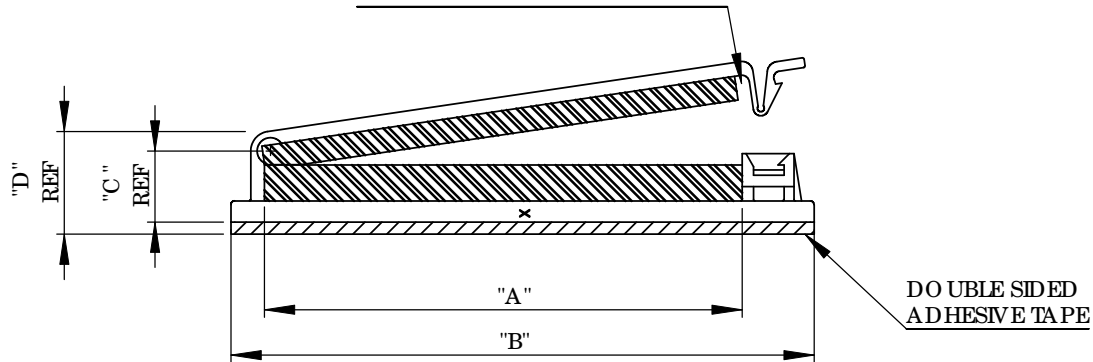
Address: A1208, Overseas Decoration Building, #122 Zhenhua RD., Futian, Shenzhen, China



PART NO.	"A" ±0.5 [.02]	"B" ±1.0 [.04]	"C" REF	"D" REF	"E" ±0.5 [.02]	CUSHION THICKNESS (LATCH) ±0.4 [.015]	CUSHION THICKNESS (BASE) ±0.4 [.015]
FCWSF-29-19	31.5 [1.24]	45.1 [1.78]	7.7 [.30]	11.1 [.44]	18.9 [.74]	3.3 [.13]	3.3 [.13]
FCWSF-30-19	31.6 [1.24]	45.5 [1.79]	9 [.35]	13.1 [.52]	19.1 [.75]		4.8 [.19]
FCWSF-40-19	39.3 [1.55]	53 [2.09]	9.3 [.37]	13.4 [.53]			
FCWSF-50-19	63.2 [2.49]	77.2 [3.04]	9.1 [.36]	13.2 [.52]			



GAP IN CUSHION TO PREVENT LATCH INTERFERENCE



NOTES:

1. MATERIAL: NYLON 6/6 UL94 V-0 (RMS-19).
2. COLOR: NATURAL
3. TAPE: 1.6 [1/16] THICK, DOUBLE SIDED ADHESIVE (RMS-350).
4. CUSHION: ADHESIVE BACKED V-0 SILICONE FOAM (RMS-135). COLOR: GRAY.
5. ALTERNATE UNITS FOR REFERENCE ONLY
6. WHEN CLOSED, SLIGHT GAP MAY EXIST BETWEEN FOAM.

TITLE: FLAT CABLE CLAMP WITH SILICONE FOAM						DWG IN MM [IN]	
CREATED USING SOLIDWORKS	FILE #: FCWSF	DWN: R.D.G.	APP: R.D.G.	FINAL			
TOLERANCES UNLESS NOTED 0-10=±0.1 10.01-30=±0.3 30.01-50=±0.5 ANG.=±1°	SHEET: 1 OF 1	SHEET SIZE: A	DT: 10/01/09	CHKD: SJ	PART #	PRINT TYPE	
RE: RICHCO, INC. --	RICHCO, INC. ENG@RICHCO-INC.COM (773) 539-4060			SEE TABLE		CA	

A	RELEASED FOR PRODUCTION	SK	10/05/09
REV.	DESCRIPTION	ENGR.	DATE