

Chipsmall Limited consists of a professional team with an average of over 10 year of expertise in the distribution of electronic components. Based in Hongkong, we have already established firm and mutual-benefit business relationships with customers from,Europe,America and south Asia,supplying obsolete and hard-to-find components to meet their specific needs.

With the principle of “Quality Parts,Customers Priority,Honest Operation,and Considerate Service”,our business mainly focus on the distribution of electronic components. Line cards we deal with include Microchip,ALPS,ROHM,Xilinx,Pulse,ON,Everlight and Freescale. Main products comprise IC,Modules,Potentiometer,IC Socket,Relay,Connector.Our parts cover such applications as commercial,industrial, and automotives areas.

We are looking forward to setting up business relationship with you and hope to provide you with the best service and solution. Let us make a better world for our industry!



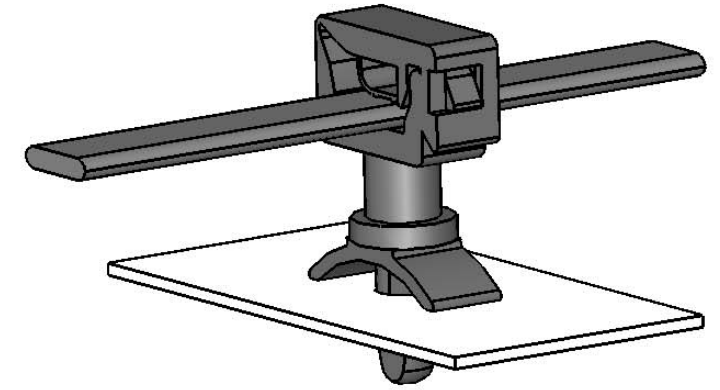
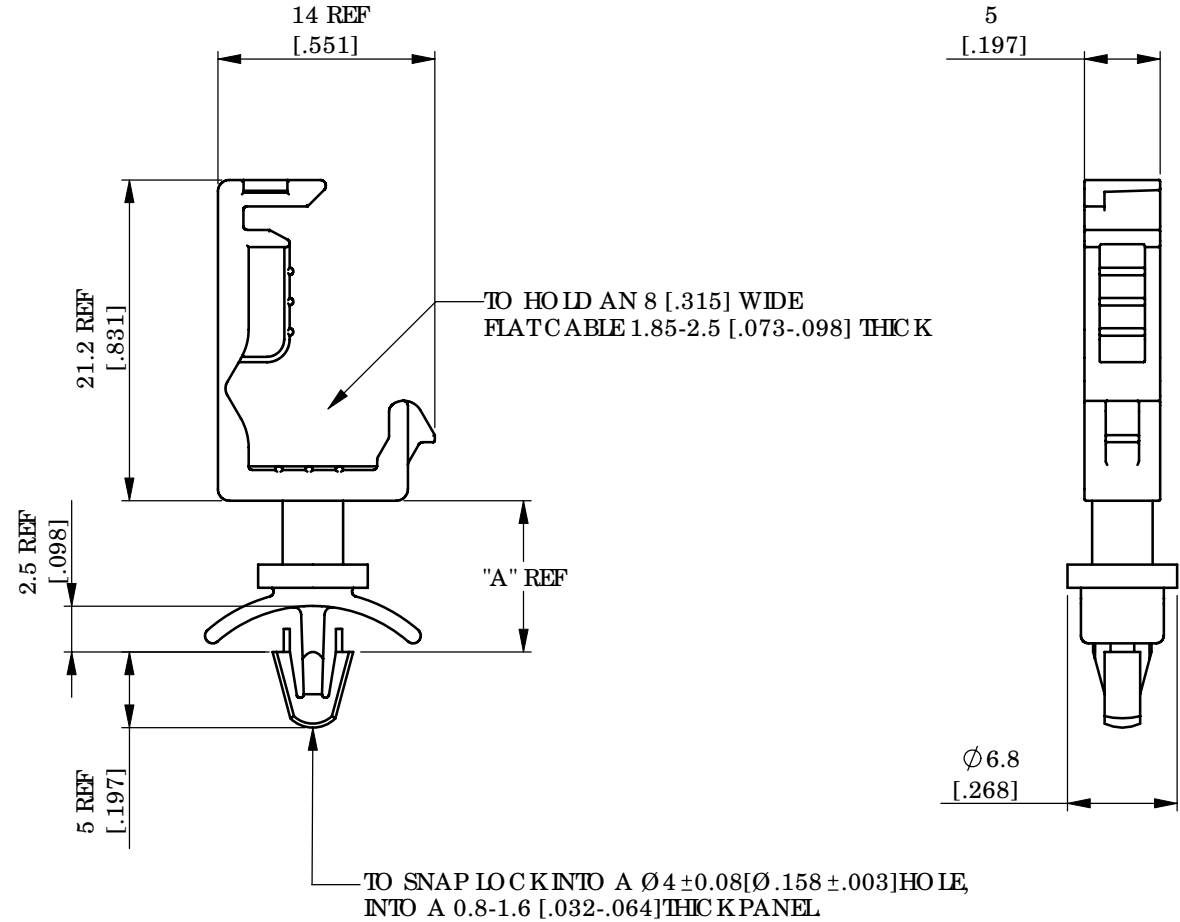
## Contact us

Tel: +86-755-8981 8866 Fax: +86-755-8427 6832

Email & Skype: [info@chipsmall.com](mailto:info@chipsmall.com) Web: [www.chipsmall.com](http://www.chipsmall.com)

Address: A1208, Overseas Decoration Building, #122 Zhenhua RD., Futian, Shenzhen, China

REV.	MODIFICATION.	DATE	DRN
01	Production Release	22/08/08	PH
02	CO2010389	15/09/08	SF
03	CO2010445	16/10/08	SF
04	CO2010458	02/11/08	OW
05	CO2010776	24/08/09	PH



NOTE:  
 1a) METRIC PRIMARY UNITS: mm  
 1b) IMPERIAL SECONDARY UNITS: [inches]  
 2) PART AVAILABLE IN NYLON 6/6 UL94-V0  
 (RMS-19) BY SPECIAL ORDER.



PART NUMBER	"A" DIM	MATERIAL
FC WSS-1-01BK	4.8 [.189]	NYLON 6/6 RMS-01
FC WSS-2-01BK	10 [.394]	

INFORMATION CONTAINED IN THIS DOCUMENT IS CONFIDENTIAL TO RICHCO INTERNATIONAL Co. Ltd. AND MAY NOT BE DISCLOSED OR REPRODUCED IN WHOLE OR PART WITHOUT THEIR WRITTEN CONSENT.			
		GENERAL TOLERANCES $\pm 0.25$ [.010] UNLESS OTHERWISE STATED 1 DECIMAL PLACE $\pm 0.25$ [.010] 2 DECIMAL PLACES $\pm 0.10$ [.004] ANGULAR $\pm 1^\circ$	THIRD ANGLE 
MATERIAL: <b>SEE TABLE</b>		COLOUR: <b>BLACK</b>	
DESCRIPTION: <b>FLAT CABLE WIRE SADDLE</b>		PART No : <b>SEE TABLE</b>	
DRG No : <b>08-079</b>		NPR No : <b>GB08-0002</b>	
DRN <b>PH</b>		DATE <b>18/03/08</b>	
CHKD <b>JC</b>		DATE <b>16/06/08</b>	
MASS(g) <b>0.7</b>		SHEET SIZE <b>A4</b>	
SCALE <b>NTS</b>		SHEET No. <b>1 OF 1</b>	