



Chipsmall Limited consists of a professional team with an average of over 10 year of expertise in the distribution of electronic components. Based in Hongkong, we have already established firm and mutual-benefit business relationships with customers from,Europe,America and south Asia,supplying obsolete and hard-to-find components to meet their specific needs.

With the principle of “Quality Parts,Customers Priority,Honest Operation,and Considerate Service”,our business mainly focus on the distribution of electronic components. Line cards we deal with include Microchip,ALPS,ROHM,Xilinx,Pulse,ON,Everlight and Freescale. Main products comprise IC,Modules,Potentiometer,IC Socket,Relay,Connector.Our parts cover such applications as commercial,industrial, and automotives areas.

We are looking forward to setting up business relationship with you and hope to provide you with the best service and solution. Let us make a better world for our industry!



Contact us

Tel: +86-755-8981 8866 Fax: +86-755-8427 6832

Email & Skype: info@chipsmall.com Web: www.chipsmall.com

Address: A1208, Overseas Decoration Building, #122 Zhenhua RD., Futian, Shenzhen, China





Features:

- Motor: External Rotor Capacitor-Run Induction Motor
- Motor Protection: Thermal Protected
- Bearing Type: Two Ball
- Connection: UL 1015 AWG 22, 300mm Wire Leads or Terminal
- Frame Material: Aluminum Alloy
- Impeller Material: Plastic UL94V-0, or Steel
- **IP54 Certified**
- Operating Temp:
Two Ball: -20°C~70°C
- Life Expectancy:
Two Ball: 50,000 Hours
Two Ball: 100,000 Hours (-L)



Fan-S Division



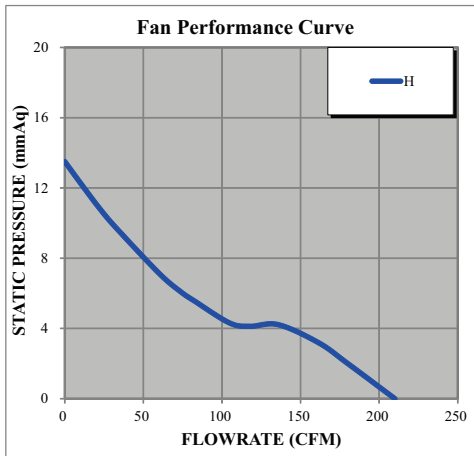
Model No.	Volt.	Freq.	Current	Power	Rated Speed	Maximum AirFlow		Maximum Static Pressure		Noise Level	Weight
	(VAC)	(Hz)	(A)	(W)	(rpm)	(CMM)	(CFM)	(InAq)	(mmAq)	(dB/A)	(g)
FDA2-17238NBH * ** F #	115	50/60	0.25/0.21	27.0/25.0	2700/3100	5.95/6.80	210/240	0.531/0.571	13.5/14.5	53.0/59.0	820
FDA2-17238QBH * ** F #	230	50/60	0.11/0.12	26.0/27.0	2700/3100	5.95/6.80	210/240	0.531/0.571	13.5/14.5	53.0/59.0	820

* Indicates "W" (Wire Leads) or "T" (Terminal)

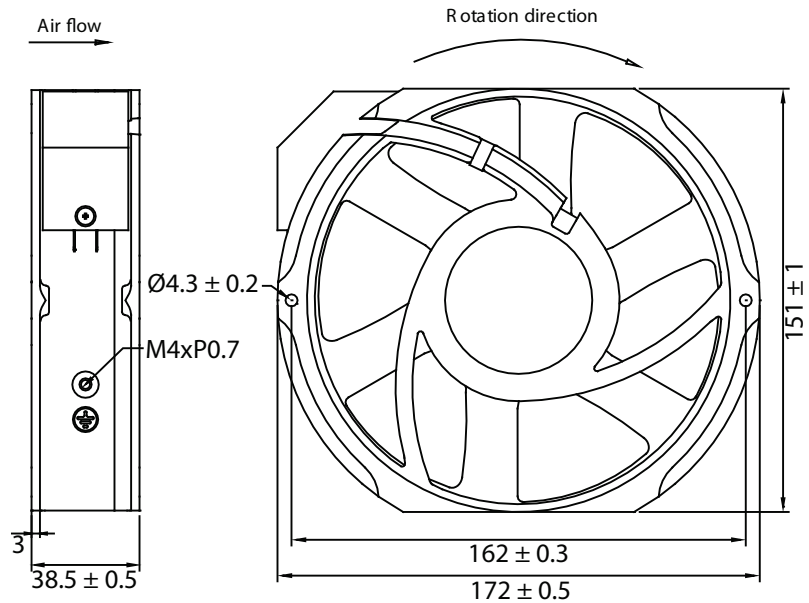
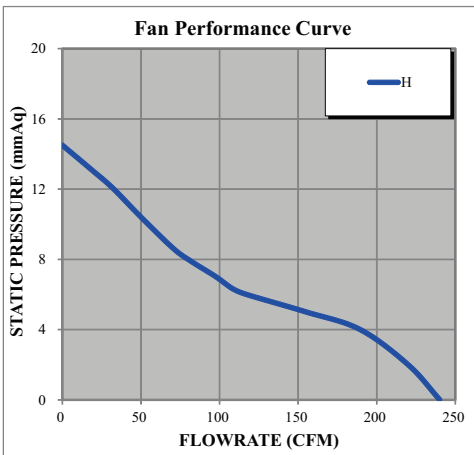
** Indicates "3" (Metal Frame, Plastic Impeller) or "4" (Metal Frame and Impeller)

Indicates "-L" (100,000 Hours Life Expectancy) or Leave Blank (50,000 Hours Life Expectancy)

50Hz



60Hz



ISO-9001 Company



www.Qualtekusa.com