



Chipsmall Limited consists of a professional team with an average of over 10 year of expertise in the distribution of electronic components. Based in Hongkong, we have already established firm and mutual-benefit business relationships with customers from,Europe,America and south Asia,supplying obsolete and hard-to-find components to meet their specific needs.

With the principle of "Quality Parts,Customers Priority,Honest Operation,and Considerate Service",our business mainly focus on the distribution of electronic components. Line cards we deal with include Microchip,ALPS,ROHM,Xilinx,Pulse,ON,Everlight and Freescale. Main products comprise IC,Modules,Potentiometer,IC Socket,Relay,Connector.Our parts cover such applications as commercial,industrial, and automotives areas.

We are looking forward to setting up business relationship with you and hope to provide you with the best service and solution. Let us make a better world for our industry!



## Contact us

Tel: +86-755-8981 8866 Fax: +86-755-8427 6832

Email & Skype: info@chipsmall.com Web: www.chipsmall.com

Address: A1208, Overseas Decoration Building, #122 Zhenhua RD., Futian, Shenzhen, China



# FD series

Double icon illuminated pushbuttons - bushing Ø 24 or 26 mm - momentary or latching

*Distinctive features and specifications*

FD1705A-R1



- Double icon actuator
- Snap-in and threaded bushing models
- Suited for integrated designs
- Large but lightweight
- Sealed to IP69K (threaded bushing version)

## ELECTRICAL SPECIFICATIONS

- Max. current/voltage rating with resistive load :
  - silver contacts (code 2) : 4A 12VDC
  - gold plated contacts (code 4) : 200mA 12VDC
- Initial contact resistance : 50 mΩ max.
- Insulation resistance : 1 GΩ min. at 500VDC
- Dielectric strength : 1.000 Vrms 50 Hz min.
- Electrical life at full load :
  - Momentary models : 1 million cycles (gold plated contacts)  
400.000 cycles (silver contacts)
  - Latching models : 200.000 cycles

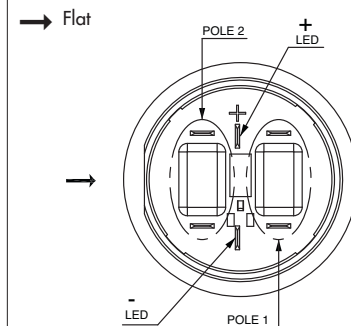
## MATERIALS

- Case : PA46
- Actuator : PA12
- Bushing/ bezel : PA66
- Contacts : silver (code 2)  
or silver, gold plated (code 4)

## GENERAL SPECIFICATIONS

- Front panel sealing :
  - Threaded bushing version : IP69K according to DIN 40050-9
  - Snap-in version : IP54 according to IEC 60529 with panel gasket and 2 mm panel thickness
- Panel thickness :
  - Snap-in version : 1,5 (.059) to 2 mm (.078) with panel gasket  
2 (.078) to 2,5 mm (.885) without panel gasket
  - Threaded bushing version : 1(.039) to 18 mm (.708) max.
- Total travel : 2,5 mm ± 0,5 mm
- Typical operating force : 8N ± 2N
- Low level or mechanical life :
  - Momentary models : 1 million cycles
  - Latching models : 200.000 cycles
- Torque : 3 Nm max. applied to nut
- Operating temperature : -40°C to +75°C

## WIRING DIAGRAM

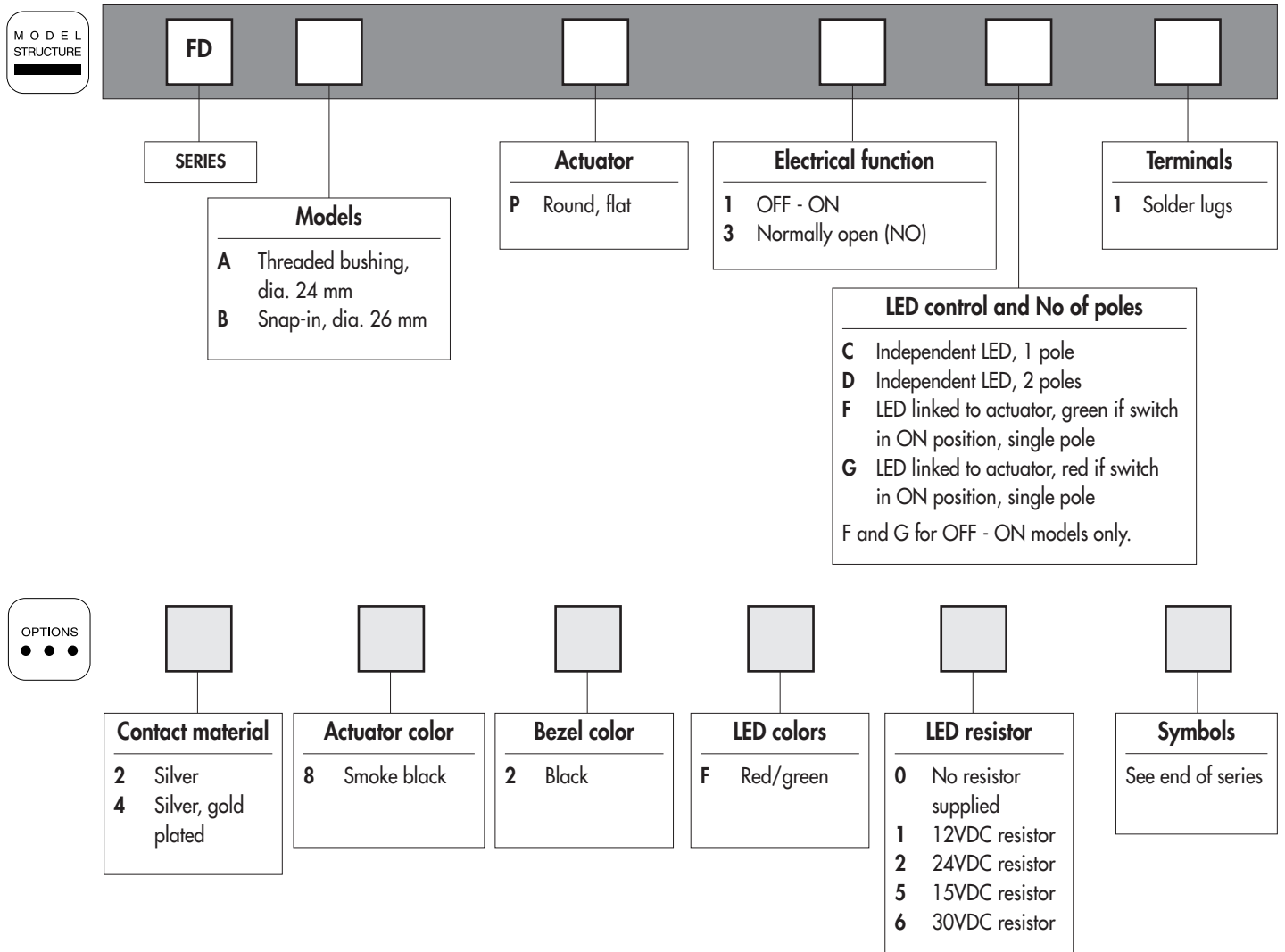


The company reserves the right to change specifications without notice.

# FD series

Double icon illuminated pushbuttons - bushing Ø 24 or 26 mm - momentary or latching

## Overview



### ABOUT THIS SERIES

On the following pages, you will find successively :  
model structure of switches and options in the same order as in above chart

**Dimensions** : first dimensions are in mm while inches are shown as bracketed numbers.



**NOTICE** : please note that not all combinations of above numbers are available.  
Refer to the following pages for further information.



**Mounting accessories** : Standard hardware supplied : 1 hex nut (threaded bushing version) and 1 panel gasket

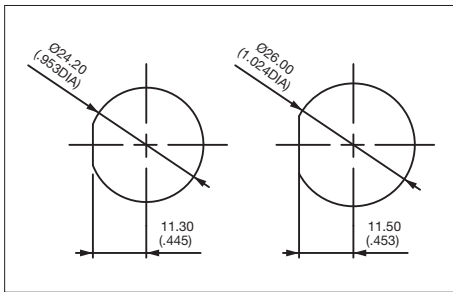


**Packaging unit** : 20 pieces



# FD series

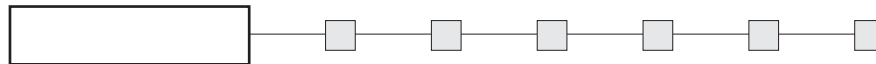
Double icon illuminated pushbuttons - bushing  $\varnothing$  24 or 26 mm - momentary or latching



- Solder lugs
- Flat actuator

To order a product, replace • with one of the codes selected under "LED control and number of poles" below, then add the desired options.

MODEL STRUCTURE



## Mounting by threaded bushing - $\varnothing$ 24 mm

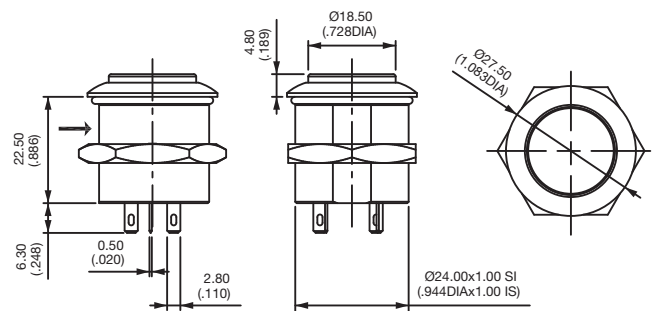
→ Flat



LATCHING  
FDAP1•1

OFF ON

MOMENTARY (NO)  
FDAP3•1



## Snap-in mounting - $\varnothing$ 26 mm

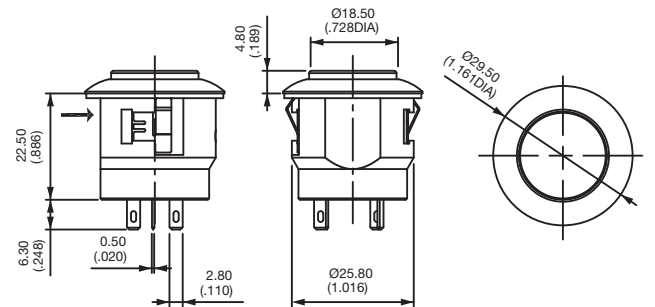
→ Flat



LATCHING  
FDBP1•1

OFF ON

MOMENTARY (NO)  
FDBP3•1



## LED CONTROL AND NUMBER OF POLES

Complete the model numbers above with one of the following codes.

	Function 1 (latching)	Function 3 (momentary)		Function 1 (latching)
Independent LED single pole <b>C</b>				
Independent LED double pole <b>D</b>				
			<b>F</b>	
			<b>G</b>	

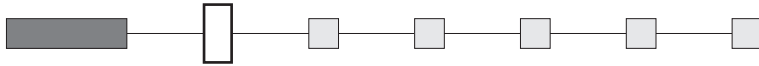
dotted line = jumper to be wired by the user.  
LED- has to be wired to one pin of pole 2.

# FD series

Double icon illuminated pushbuttons - bushing Ø 24 or 26 mm - momentary or latching

Options

## CONTACT MATERIALS



- 2 Silver
- 4 Silver, gold plated

## ACTUATOR COLOR



- 8 Smoke black

## BEZEL COLOR



- 2 Black

## LED COLOR



- F Red/green

## LED RESISTOR



- 0 No resistor supplied
- 1 12VDC resistor
- 2 24VDC resistor
- 5 15VDC resistor
- 6 30VDC resistor

## SYMBOLS



3	START (green) / STOP (red) with ring	 
4	ON (green) / OFF (red) with ring	 
5	I (green) / O (red) with ring	