



Chipsmall Limited consists of a professional team with an average of over 10 year of expertise in the distribution of electronic components. Based in Hongkong, we have already established firm and mutual-benefit business relationships with customers from,Europe,America and south Asia,supplying obsolete and hard-to-find components to meet their specific needs.

With the principle of “Quality Parts,Customers Priority,Honest Operation,and Considerate Service”,our business mainly focus on the distribution of electronic components. Line cards we deal with include Microchip,ALPS,ROHM,Xilinx,Pulse,ON,Everlight and Freescale. Main products comprise IC,Modules,Potentiometer,IC Socket,Relay,Connector.Our parts cover such applications as commercial,industrial, and automotives areas.

We are looking forward to setting up business relationship with you and hope to provide you with the best service and solution. Let us make a better world for our industry!



Contact us

Tel: +86-755-8981 8866 Fax: +86-755-8427 6832

Email & Skype: info@chipsmall.com Web: www.chipsmall.com

Address: A1208, Overseas Decoration Building, #122 Zhenhua RD., Futian, Shenzhen, China



PART NUMBER CODING

C02SXNN-S

MODIFICATION
 OMIT = STANDARD
 S328 = BROWN PPS

PLATING

ALL PLATINGS HAVE .000050" MIN NICKEL UNDERPLATE
 S = .000010" GOLD, TYPE II GR C ON CONTACT SURFACE
 M = .000030" GOLD, TYPE II GR C ON CONTACT SURFACE
 D = .000030" GOLD, TYPE III, GR A OVERALL

MATERIAL (INSULATOR / CONTACT)

(SEE MATERIAL TABLE)

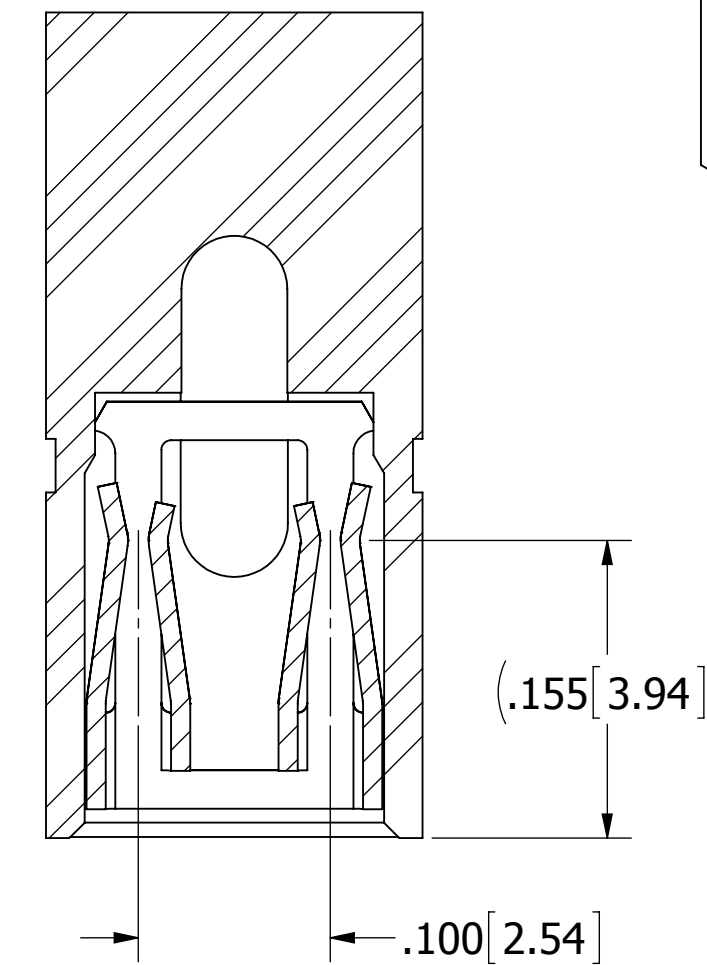
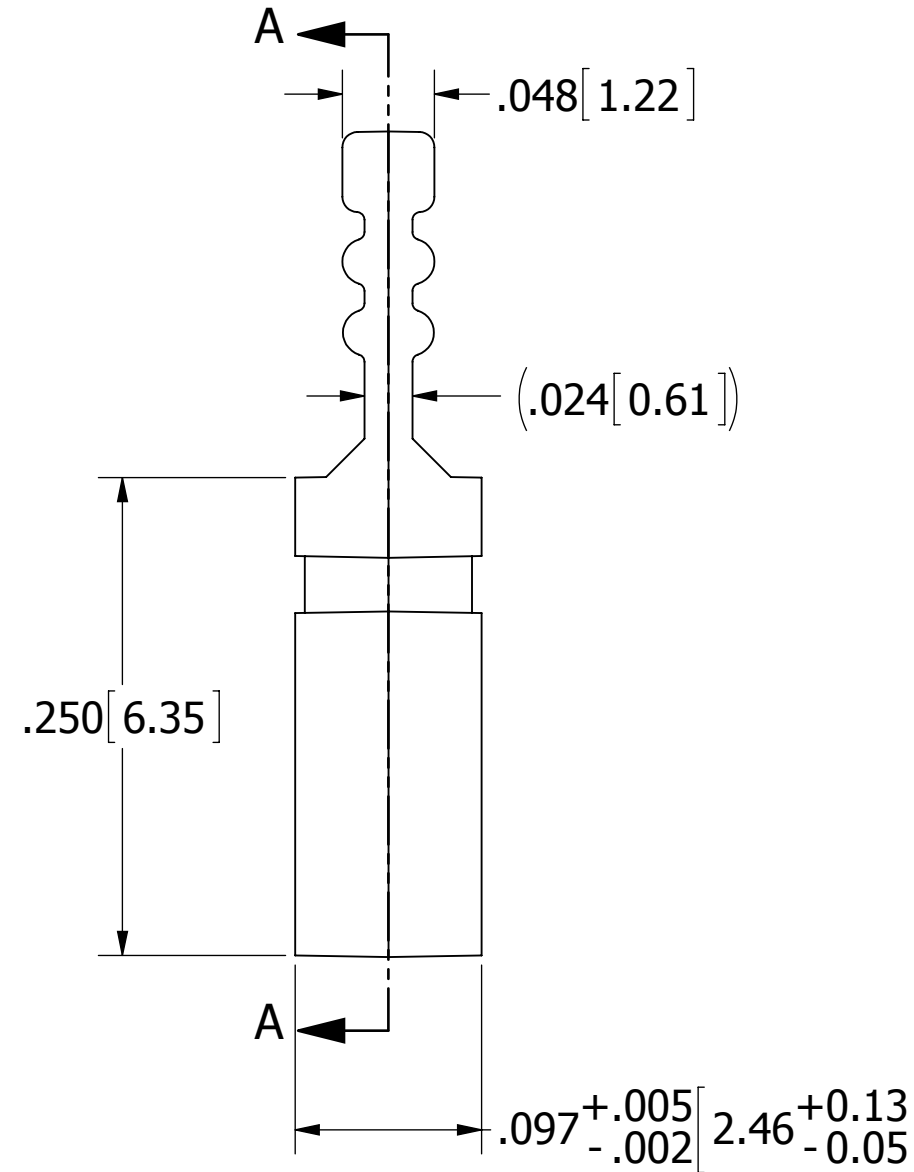
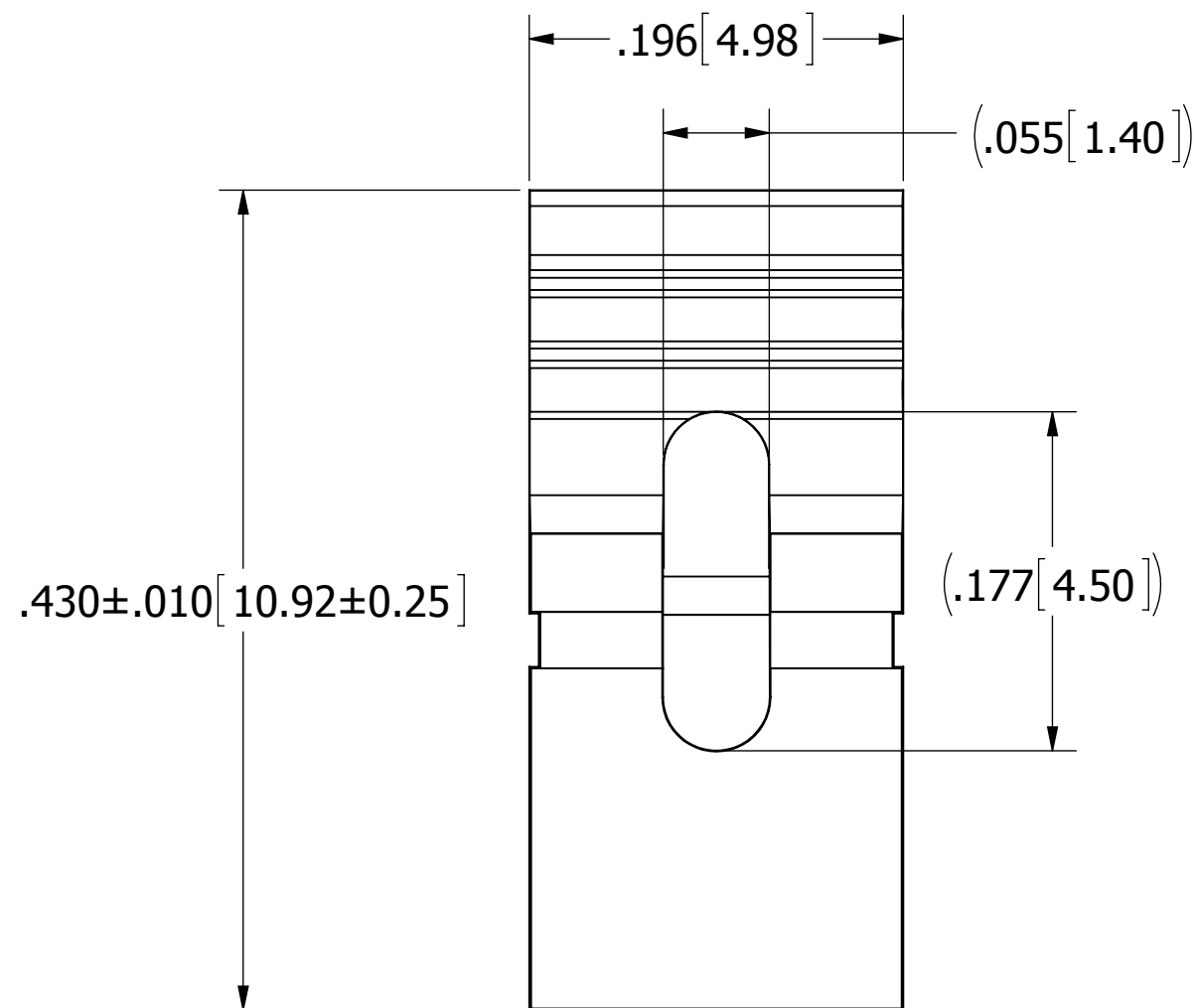
MATERIAL TABLE

LETTER CODE	INSULATOR / CONTACT	OPERATING TEMP.	MODIFICATION NUMBER
J**	BLACK PA9T / BERYLLIUM COPPER	-65°C TO +150°C	OMIT
M**	WHITE PA9T / BERYLLIUM COPPER	-65°C TO +150°C	OMIT
A**	BROWN PPS / BERYLLIUM COPPER	-65°C TO +150°C	S328
F*	GREEN PPS / SPINODAL	-65°C TO +200°C	OMIT
W*	TAN PEEK / BERYLLIUM NICKEL	-65°C TO +250°C	OMIT

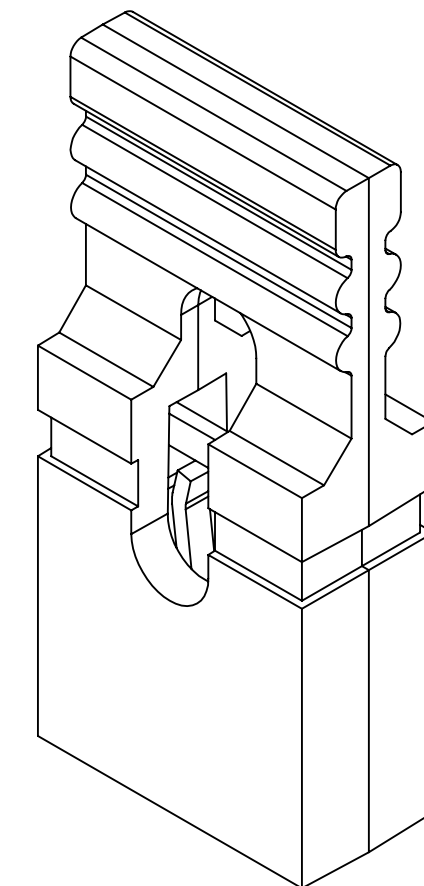
* AVAILABLE WITH 'D' PLATING ONLY
 ** AVAILABLE WITH 'S' OR 'M' PLATING ONLY

REVISIONS

REV.	ECO. NO	DESCRIPTION	DATE	BY
A	2855	INITIAL RELEASE	2/26/2014	JH
B	2995	ADD 'M' PLATING	6/11/2014	JH
C	2999	UPDATE THICKNESS FROM .100 TO .097+/- .002	10/2/2014	JHSU
D	3241	UPDATE THICKNESS TOLERANCE TO +.005/- .002 (WAS +/- .002)	6/2/2015	MG



SECTION A-A



NOTES:

- INSULATOR MATERIAL: SEE PART NUMBER CODING
- CONTACT MATERIAL: SEE PART NUMBER CODING
- PLATING: SEE PART NUMBER CODING
- OPERATING TEMPERATURE: SEE PART NUMBER CODING
- UL FLAMMABILITY RATING: 94V-0
- DIELECTRIC WITHSTANDING VOLTAGE: 1000 VAC
- CURRENT RATING: 3 AMP
- CONTACT RESISTANCE: 30 MILLI OHMS MAX
- INSULATION RESISTANCE: 1000 MEGA OHMS
- DOUBLE TUNING FORK TYPE CONTACT, ACCOMMODATES .025" SQ. POST.



RoHS COMPLIANT

UNLESS OTHERWISE SPECIFIED:
 DIMENSIONS ARE IN INCHES [MM]

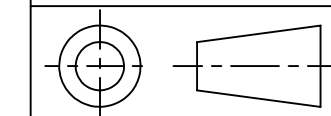
TOLERANCES:

ANGULAR: ± 1°

DECIMALS
 .XX = ± .02 [.5]
 .XXX = ± .005 [.13]
 .XXXX = ± .0005 [.013]

DRAWN DATE NAME
 6/18/13 TT

THE INFORMATION HEREIN CONTAINS PROPRIETARY INFORMATION OF SULLINS ELECTRONICS AND IS NOT TO BE REPRODUCED, USED OR DISCLOSED TO OTHERS FOR ANY PURPOSE EXCEPT AS SPECIFICALLY AUTHORIZED IN WRITING BY AN OFFICER OF SULLINS ELECTRONICS.



		TITLE .100" PITCH HI-TEMP SHUNT WITH HANDLE	
		PART NUMBER C02SXNN-(S328)	
SIZE C	CAGE CODE 54453	DWG. NO. C12234	REV D
SCALE: 10:1		SHEET 1 OF 1	

CUSTOMER COPY