



Chipsmall Limited consists of a professional team with an average of over 10 year of expertise in the distribution of electronic components. Based in Hongkong, we have already established firm and mutual-benefit business relationships with customers from,Europe,America and south Asia,supplying obsolete and hard-to-find components to meet their specific needs.

With the principle of “Quality Parts,Customers Priority,Honest Operation,and Considerate Service”,our business mainly focus on the distribution of electronic components. Line cards we deal with include Microchip,ALPS,ROHM,Xilinx,Pulse,ON,Everlight and Freescale. Main products comprise IC,Modules,Potentiometer,IC Socket,Relay,Connector.Our parts cover such applications as commercial,industrial, and automotives areas.

We are looking forward to setting up business relationship with you and hope to provide you with the best service and solution. Let us make a better world for our industry!



Contact us

Tel: +86-755-8981 8866 Fax: +86-755-8427 6832

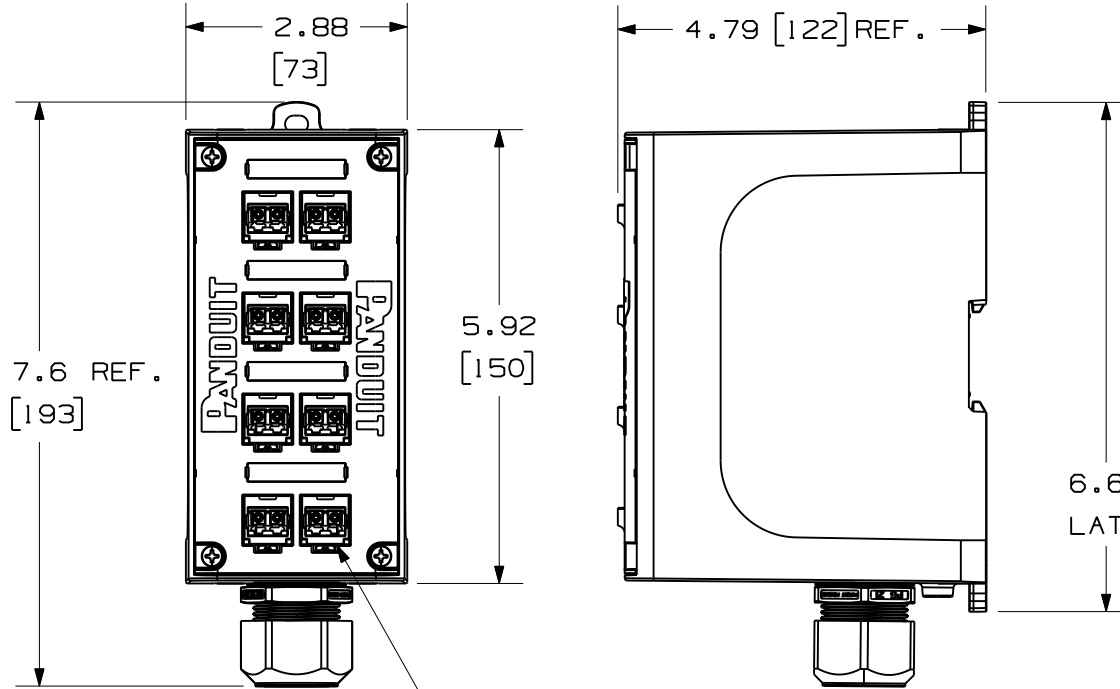
Email & Skype: info@chipsmall.com Web: www.chipsmall.com

Address: A1208, Overseas Decoration Building, #122 Zhenhua RD., Futian, Shenzhen, China



THIS COPY IS PROVIDED ON A RESTRICTED BASIS AND IS NOT TO BE USED IN ANY WAY DETRIMENTAL TO THE INTERESTS OF PANDUIT CORP.

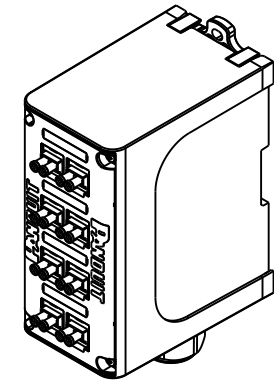
BELOW VIEWS SHOWN
WITHOUT DUSTCAPS



NOTES:

1. SEE CURRENT CATALOG:
 - A. FOR TECHNICAL AND OPERATING SPECIFICATIONS.
 - B. FOR COMPLETE LIST OF PARTS APPLICABLE FOR USE WITH THIS PRODUCT.
2. MATERIALS:
 - A. ENCLOSURE: COMPOSITE PLASTIC WITH METAL FASTENERS.
 - B. ALL MATERIALS AND COMPONENTS USED MEET THE MATERIAL RESTRICTIONS OF RoHS, (EUROPEAN DIRECTIVE 2002/95/EC ON THE RESTRICTION OF HAZARDOUS SUBSTANCES) AS PROPOSED BY THE RoHS TECHNICAL ADAPTATION COMMITTEE.
3. DIMENSIONS IN BRACKETS ARE METRIC [mm].
4. PART INCLUDES:
 - 1- BASE ASSEMBLY
 - 1- FACEPLATE
 - 1- FIBER COVER
 - 1- PG21 CORD GRIP
 - 4- ULTIMATE ID LABELS AND COVERS
 - 4- 6-32 X 3/8" PHILLIPS DRIVE SCREWS

6.62 [168] REF.
LATCHES ENGAGED



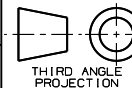
ISOMETRIC VIEW
SHOWN WITH DUSTCAPS

ASSEMBLY SHOWN WITH LC STYLE
ADAPTERS (SUPPLIED SEPARATELY)

PANDUIT P/N	WEIGHT
FDME8RG	0.72 LB/PCS [325 g/PCS]

8-PORT INDUSTRIALNET™
DIN RAIL MOUNT FIBER ENCLOSURE
CUSTOMER DRAWING

PANDUIT®
TINLEY PARK, IL 60487



ALL DIMENSIONS ARE GIVEN IN INCHES,
UNLESS OTHERWISE SPECIFIED,
DIMENSIONAL TOLERANCES ARE:
(.X) ±.03 (.XXX) ±.005
(.XX) ±.01 ANGLES ± 1°

I.T. NUMBER	
PRODUCT SPEC/ PKG SPEC	
DRAWING FILENAME 11F151AE_DC/OOB	
SCALE NONE	
PART NO. FDME8RG	
DRAWING NO. 11F151AE-DC	SIZE A

DRAWN BY
MELC

REVIEW DRAWING NUMBERS

DATE
01-17-12

CHK'D
JGD

REV	DATE	BY	CHK	DESCRIPTION	ECN	R	CUST	SUP	OTH
1	03-29-12	JGD	JAWI	RELEASE TO PRODUCTION	11F151AE-DC	JGD	RWB		