



Chipsmall Limited consists of a professional team with an average of over 10 year of expertise in the distribution of electronic components. Based in Hongkong, we have already established firm and mutual-benefit business relationships with customers from,Europe,America and south Asia,supplying obsolete and hard-to-find components to meet their specific needs.

With the principle of “Quality Parts,Customers Priority,Honest Operation,and Considerate Service”,our business mainly focus on the distribution of electronic components. Line cards we deal with include Microchip,ALPS,ROHM,Xilinx,Pulse,ON,Everlight and Freescale. Main products comprise IC,Modules,Potentiometer,IC Socket,Relay,Connector.Our parts cover such applications as commercial,industrial, and automotives areas.

We are looking forward to setting up business relationship with you and hope to provide you with the best service and solution. Let us make a better world for our industry!



## Contact us

Tel: +86-755-8981 8866 Fax: +86-755-8427 6832

Email & Skype: info@chipsmall.com Web: www.chipsmall.com

Address: A1208, Overseas Decoration Building, #122 Zhenhua RD., Futian, Shenzhen, China





Is Now Part of



**ON Semiconductor®**

To learn more about ON Semiconductor, please visit our website at  
[www.onsemi.com](http://www.onsemi.com)

ON Semiconductor and the ON Semiconductor logo are trademarks of Semiconductor Components Industries, LLC dba ON Semiconductor or its subsidiaries in the United States and/or other countries. ON Semiconductor owns the rights to a number of patents, trademarks, copyrights, trade secrets, and other intellectual property. A listing of ON Semiconductor's product/patent coverage may be accessed at [www.onsemi.com/site/pdf/Patent-Marking.pdf](http://www.onsemi.com/site/pdf/Patent-Marking.pdf). ON Semiconductor reserves the right to make changes without further notice to any products herein. ON Semiconductor makes no warranty, representation or guarantee regarding the suitability of its products for any particular purpose, nor does ON Semiconductor assume any liability arising out of the application or use of any product or circuit, and specifically disclaims any and all liability, including without limitation special, consequential or incidental damages. Buyer is responsible for its products and applications using ON Semiconductor products, including compliance with all laws, regulations and safety requirements or standards, regardless of any support or applications information provided by ON Semiconductor. "Typical" parameters which may be provided in ON Semiconductor data sheets and/or specifications can and do vary in different applications and actual performance may vary over time. All operating parameters, including "Typicals" must be validated for each customer application by customer's technical experts. ON Semiconductor does not convey any license under its patent rights nor the rights of others. ON Semiconductor products are not designed, intended, or authorized for use as a critical component in life support systems or any FDA Class 3 medical devices or medical devices with a same or similar classification in a foreign jurisdiction or any devices intended for implantation in the human body. Should Buyer purchase or use ON Semiconductor products for any such unintended or unauthorized application, Buyer shall indemnify and hold ON Semiconductor and its officers, employees, subsidiaries, affiliates, and distributors harmless against all claims, costs, damages, and expenses, and reasonable attorney fees arising out of, directly or indirectly, any claim of personal injury or death associated with such unintended or unauthorized use, even if such claim alleges that ON Semiconductor was negligent regarding the design or manufacture of the part. ON Semiconductor is an Equal Opportunity/Affirmative Action Employer. This literature is subject to all applicable copyright laws and is not for resale in any manner.



# FDMF6730 Driver plus FET Multi-chip Module

## Features

- Over 95% efficiency
- Internal 5V regulator for gate drive
- 6V-16V input range
- 1MHz max operating frequency
- SMOD operation capability for light load efficiency
- 5A current capability (10A with PASS FET)
- Current limit set by  $R_{DS(ON)}$  sensing to minimize power losses
- Integrated bootstrap diode

## Applications

- Ultra Mobile PC
- Notebook Computers



## General Description

The FDMF6730 is a high efficiency Driver plus MOSFET power stage solution optimized for Ultra Mobile PC (UMPC) system power voltage supplies. It is fully compliant with the Intel Ultra-Mobile Driver MOS (uDrMOS) Specification. The MOSFETs and driver have been optimized to perform with high efficiency at light and medium loads, ideal for compact PC devices.

The internal driver IC integrates two highly efficient LDOs for internal gate-drive and external circuitry. The bootstrap diode is also integrated within the IC. When operating with a single low side MOSFET the uDrMOS module is capable of delivering up to 5A of continuous current. The PASS transistor may be easily routed in parallel with the low side MOSFET to provide up to 10A. The module also incorporates an over current protection flag from an  $R_{DS(ON)}$  current sense architecture.

The device comes in a 6X6 Power QFN package for improved thermal performance.

## Typical Application

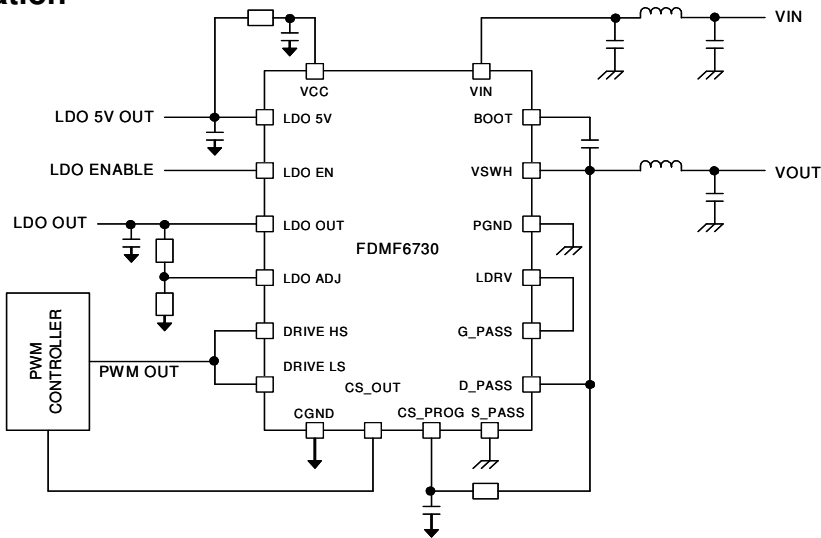


Figure 1. Power Train Application Circuit

## Ordering Information

Part	Current Rating Max [A]	Input Voltage Typical [V]	Frequency Max [KHz]	Device Marking
FDMF6730	10	6-16	1000	FDMF6730

### Functional Block Diagram

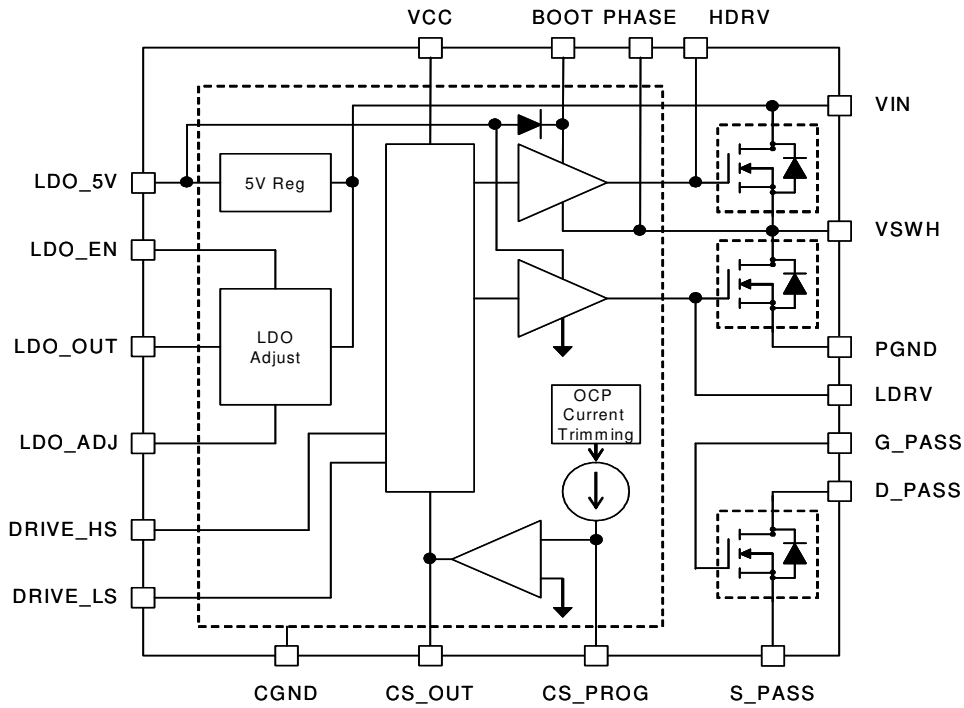


Figure 2. Functional Block Diagram

### Pin Configuration

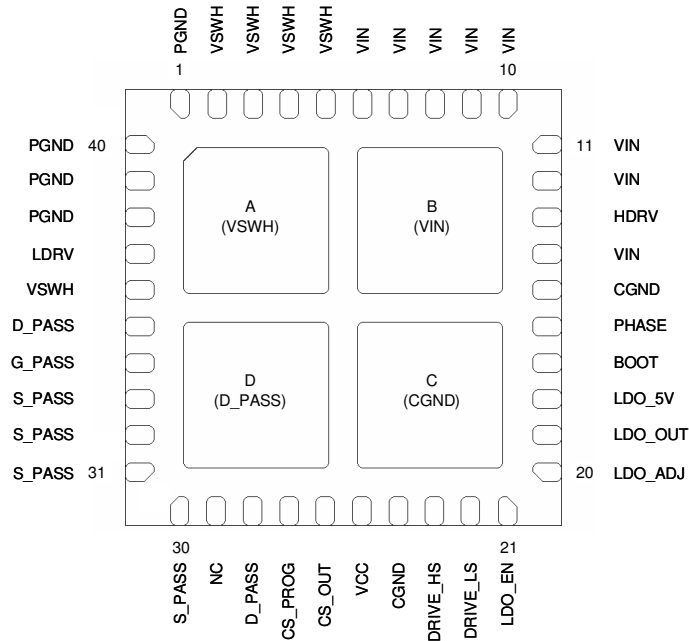


Figure 3. 6mm X 6mm, 40L MLP Bottom View

## Pin Description

Pin	Name	Function
1, 38 - 40	PGND	Low Side FET Source Pin. Connect to GND
2 - 5, 36, A	VSWH	Switch Node Pin. Low Side FET Drain pin. Electrically shorted to PHASE pin
6 - 12, 14, B	VIN	Input Voltage Pin. Input voltage for buck converter
13	HDRV	HDRV pin. High Side driver output. Connected to High Side FET gate pin.
15, 24, C	CGND	IC Ground. Ground return for driver IC.
16	PHASE	Switch Node Pin for easy bootstrap capacitor routing. Electrically shorted to VSWH pin.
17	BOOT	Bootstrap Supply Input Pin. Provides voltage supply to high-side MOSFET driver. Connect bootstrap capacitor.
18	LDO_5V	5V Internal LDO Output.
19	LDO_OUT	Adjustable LDO Output.
20	LDO_ADJ	LDO Adjust Input. Connect to external voltage divider to adjust LDO output.
21	LDO_EN	Adjustable LDO Enable Pin. 1 = Enable, 0 = Disable
22	DRIVE_LS	Low Side PWM Input. Connect to PWM controller.
23	DRIVE_HS	High Side PWM Input. Connect to PWM controller.
25	VCC	Driver VCC. Connect to 5V.
26	CS_OUT	Current Sense Output. 1 = Over-current Fault, 0 = No Fault.
27	CS_PROG	Current Sense Program.
28, 35, D	D_PASS	Pass FET Drain Pin. Connect to VSWH pad for higher output current.
29	NC	No Connect. This pin must be floated. Must not be connected to any pin.
30-33	S_PASS	Pass FET Source Pin. Connect to PGND pad for higher output current.
34	G_PASS	Pass FET Gate Pin. Connect to LDRV pin for higher output current.
37	LDRV	LDRV pin. Low Side driver output. Connect to G_PASS pin for higher output current.

## Absolute Maximum Rating

Stresses exceeding the absolute maximum rating may damage the device. The device may not function or be operable above the recommended operating conditions and stressing these parts to these levels is not recommended. In addition, extended exposure to stresses above the recommended operating conditions may affect the device reliability. The absolute maximum rating are stress ratings only.

Parameter	Min.	Max.	Units		
V <sub>CC</sub> , Drive_LS, Drive_HS, LDO_EN, CS_Prog, CS_Out to GND	-0.3	6	V		
V <sub>IN</sub> to PGND	-0.3	20	V		
BOOT to VSWH	-0.3	6	V		
VSWH to PGND	-1.0	27	V		
BOOT to PGND	-0.3	27	V		
I <sub>O(AV)</sub>	V <sub>IN</sub> = 8.4V, V <sub>O</sub> = 3.3V, f <sub>SW</sub> = 1MHz, T <sub>PCB</sub> = 130 °C		10	A	
I <sub>O(PK)</sub>	V <sub>IN</sub> = 8.4V, t <sub>PULSE</sub> = 10µs		35	A	
R <sub>θJPCB</sub>	Junction to PCB Thermal Resistance note 1.		5.5	°C/W	
P <sub>T</sub>	T <sub>PCB</sub> = 130 °C		3.3	W	
Operating and Storage Junction Temperature Range			-55	150	°C

**Note 1:** Package power dissipation based on 4 layer, 2 square inch, 2 oz. copper pad. R<sub>θJPCB</sub> is the steady state junction to PCB thermal resistance with PCB temperature referenced at VSWH pin.



## Recommended Operating Range

The recommended operating conditions table defines the conditions for actual device operation. These conditions are specified to ensure optimal performance to the datasheet specification. Fairchild does not recommend exceeding them or designing to absolute maximum ratings.

Parameter		Min.	Typ.	Max.	Units
V <sub>CC</sub>	Control Circuit Supply Voltage	4.5	5	5.5	V
V <sub>IN</sub>	Output Stage Supply Voltage	6	8.4	16	V
V <sub>OUT</sub>	Output Voltage	1.5	3.3	5	V

## Electrical Characteristics

V<sub>IN</sub> = 8.4V, V<sub>CC</sub> = 5V, T<sub>A</sub> = 25°C unless otherwise noted.

Parameter	Symbol	Conditions	Min.	Typ.	Max.	Units
Input Voltage Range	V <sub>IN</sub>		6		16	V
Operating Quiescent Current					2	mA
<b>Drive_HS, Drive_LS, LDO_EN Logic Inputs</b>						
High Level Input	V <sub>IH</sub>		2.4			V
Low Level Input	V <sub>IL</sub>				0.4	V
Input Current			-2		2	μA
<b>5V LDO</b>						
Output Voltage			4.7	5	5.3	V
Line Regulation		6V < V <sub>IN</sub> < 16V		5		mV
Load Regulation		5mA < I <sub>LOAD</sub> < 100mA		75		mV
Short Circuit Current Limit			100	180		mA
<b>Adjustable LDO</b>						
Adjust Voltage	V <sub>ADJ</sub>		0.58	0.6	0.62	V
Line Regulation		6V < V <sub>IN</sub> < 16V		3		mV
Load Regulation		5mA < I <sub>LOAD</sub> < 100mA		11		mV
Short Circuit Current Limit			100	180		mA
Adjust Input Bias Current					0.2	μA
<b>Over Current Protection</b>						
CS_Prog Current			30	40	50	μA
<b>Thermal Shutdown</b>						
Threshold				150		°C
Hysteresis				19		°C
<b>Propagation Delay</b>						
250ns Timeout	t <sub>TIMEOUT</sub>	VSWH = 2V, HDRV from HI to LO and LDRV from LO to HI		250		ns
	t <sub>DTHH</sub>	LDRV going LO to VSWH going HI		30		ns
	t <sub>PDHL</sub>	Drive_LS going HI to HDRV going LO		10		ns
	t <sub>DTLH</sub>	VSWH going LO to LDRV going HI		20		ns
	t <sub>PDLL</sub>	Drive_LS going LO to LDRV going LO		10		ns

## Description of Operation

### 2-Bit PWM Input

The PWM input is composed of a high side drive and a low side drive input which control the high side and low side FETs respectively. They can also be setup to provide asynchronous rectification (low FET off) and phase shutoff (both FETs off).

#### Truth Table

DRIVE_LS	DRIVE_HS	Low Side MOSFET	High Side MOSFET
0	0	OFF	OFF
0	1	OFF	ON
1	0	ON	OFF
1	1	OFF	OFF

### PASS FET

One of the most unique features of the uDrMOS is the integrated Pass FET. The pass FET can be easily routed in parallel with the low side FET in order to provide up to 10A of current. When not used as part of the DC-DC controller, it can be used in other applications such as load switching, etc.

### 5V LDO

The uDrMOS conveniently incorporates a 5V LDO regulator to drive the internal logic of the IC and gates of the internal MOSFETs.

### Adjustable LDO

Another feature of the part is the adjustable 100mA LDO. The LDO output voltage is easily configured with a resistor divider.

### Current Limit

The part also has current limit flag which is set by an internal OCP topology.

## Applications Section

### Input Capacitor

A High frequency 4.7 ceramic X5R must be connected directly from  $V_{IN}$  to GND

### Bootstrap Circuit

The bootstrap circuit uses a charge storage capacitor and an external diode. A minimum of 0.1 $\mu$ F high frequency capacitor must be connected between the BOOT and PHASE pin. The PHASE pin is already internally connected to the switch-node.

### 5V LDO

A minimum of 4.7 $\mu$ F ceramic X5R type must be connected from LDO\_5V pin to GND to ensure stable operation and to provide high frequency bypassing for low side driver. This LDO can provide power to the internal logic circuitry and gate drivers via a 10Ohm resistor. A high frequency 1 $\mu$ F ceramic capacitor must be placed from  $V_{CC}$  to GND.

### Adjustable LDO

A minimum of 10 $\mu$ F ceramic X5R type must be connected close from this pin to GND to insure stable operation for a range of 2.5V to 5V outputs. For output voltages of 0.6V to 2.5V the minimum capacitance must be 22 $\mu$ F ceramic type. A minimum of 1mA load current must be connected from this pin to GND. LDO\_ADJ voltage 0.6V typical.

LDO\_EN: Adjustable LDO enable pin (1= Enable, 0= Disable)

### Over Current Protection

A resistor connected from the VSWH pin and this pin programs the over current threshold point. CS\_OUT is the output of an internal current sense comparator which switches high when the current in low side MOSFET exceeds a pre program level set by the CS\_PROG pin. This pin is low during normal operation.

## Typical Characteristics

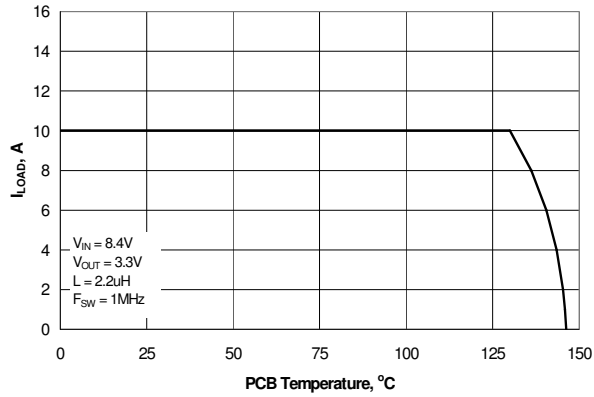


Figure 4. Safe Operating Area

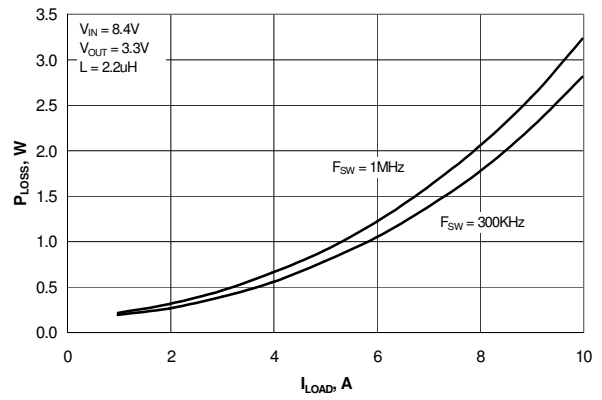


Figure 5. Power Loss vs. Output Current

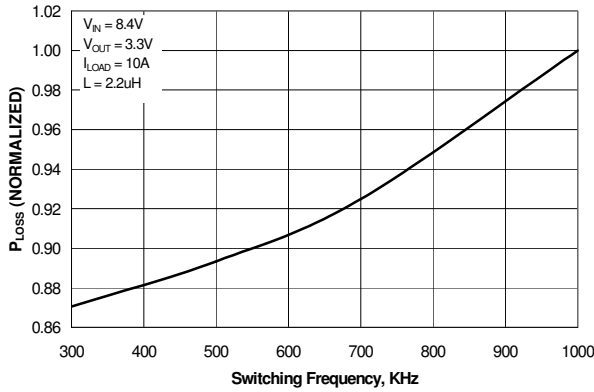


Figure 6. Power Loss vs. Switching Frequency

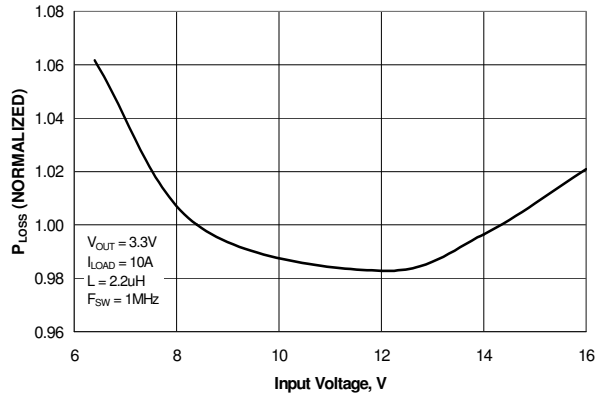


Figure 7. Power Loss vs. Input Voltage

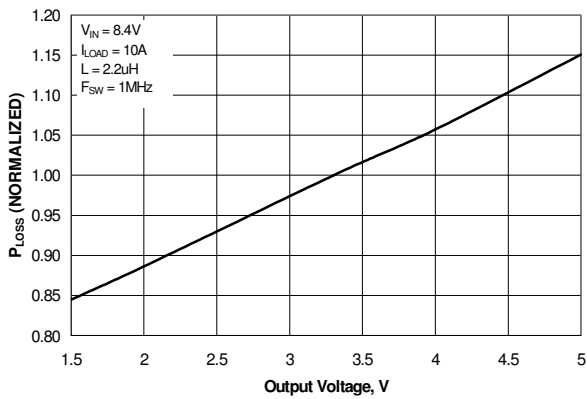


Figure 8. Power Loss vs. Output Voltage

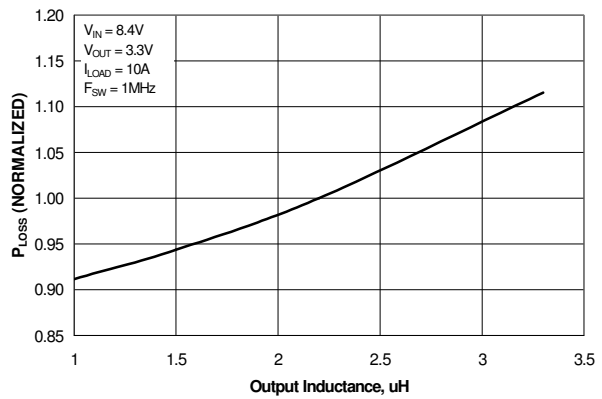


Figure 9. Power Loss vs. Output Inductance



## Typical Characteristics

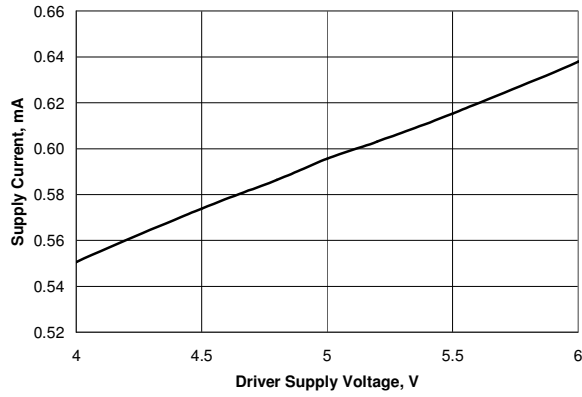


Figure 10. Supply Current vs. Driver Supply

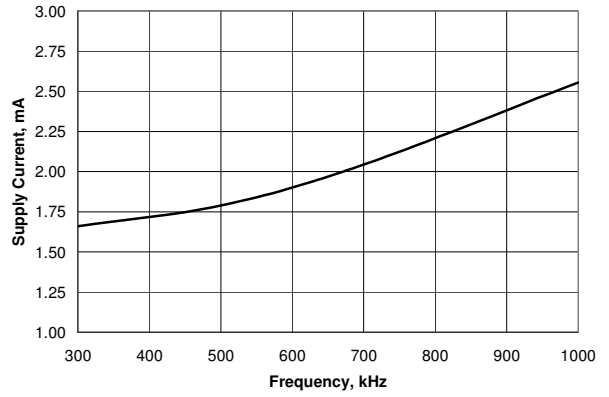


Figure 11. Supply Current vs. Frequency

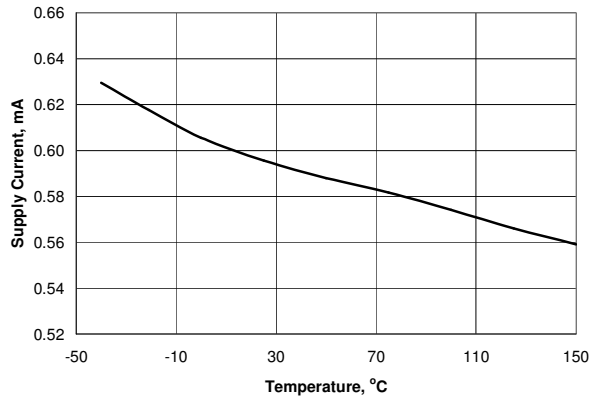


Figure 12. Supply Current vs. Temperature

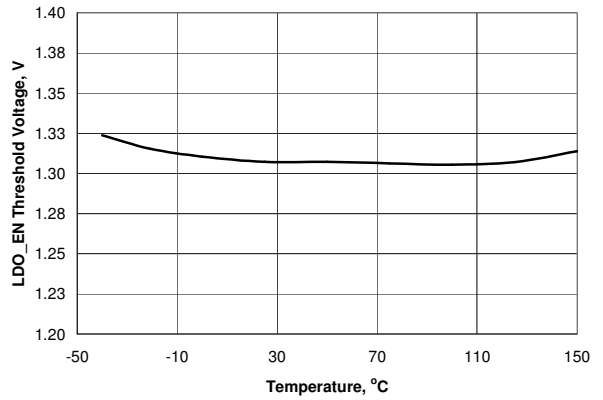


Figure 13. LDO\_EN Threshold Voltage vs. Temperature

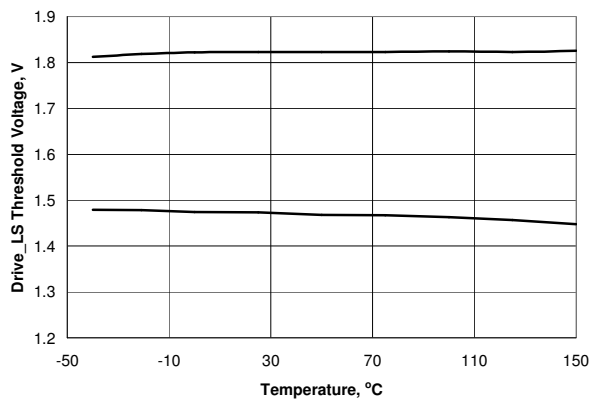


Figure 14. Driver\_LS Threshold Voltage vs. Temperature

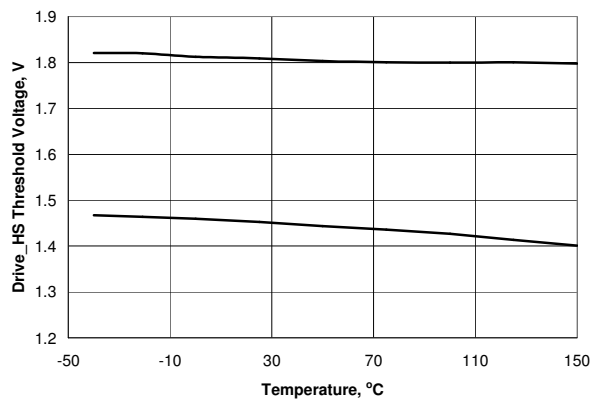


Figure 15. Driver\_HS Threshold Voltage vs. Temperature

### Typical Characteristics

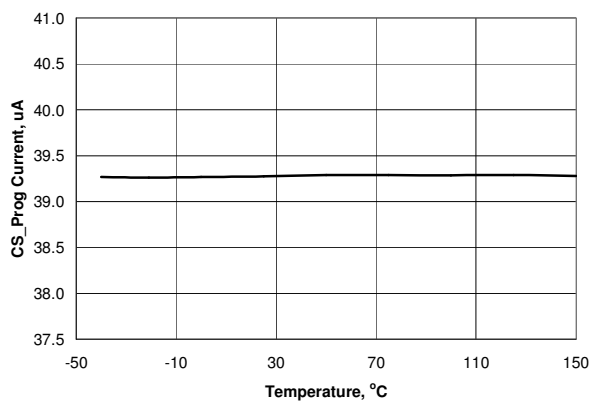
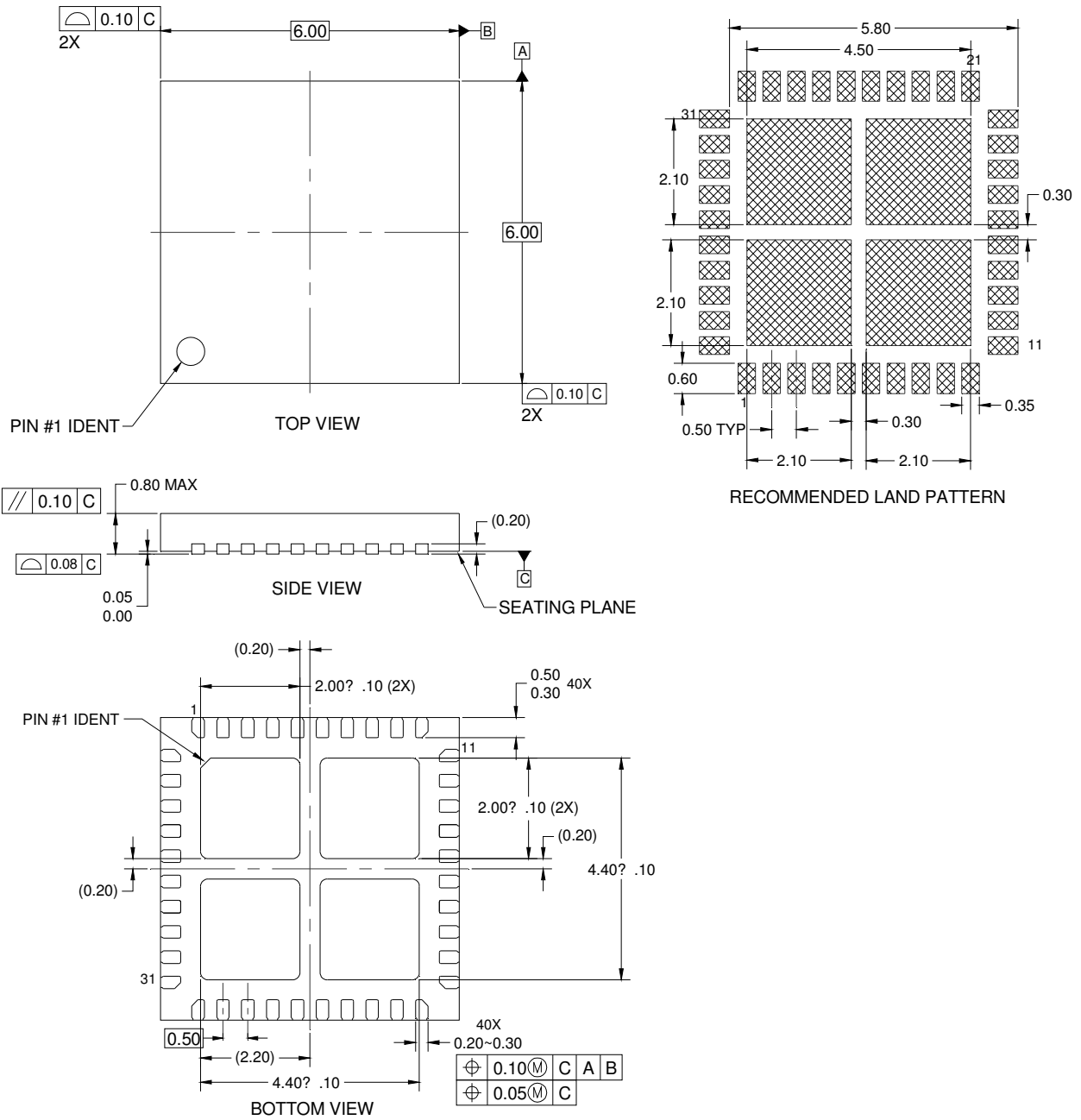


Figure 16. CS\_Prog Current vs. Temperature

### Dimensional Outline and Pad layout



**NOTES:**

- A. DOES NOT FULLY CONFORM TO JEDEC REGISTRATION, MO-220. DATED MAY/2005.
- B. DIMENSIONS ARE IN MILLIMETERS.
- C. DIMENSIONS AND TOLERANCES PER ASME Y14.5M, 1994
- D. DRAWING FILE NAME: MLP40XREV1



**TRADEMARKS**

The following includes registered and unregistered trademarks and service marks, owned by Fairchild Semiconductor and/or its global subsidiaries, and is not intended to be an exhaustive list of all such trademarks.

- |   |                                     |   |   |
|---|-------------------------------------|---|---|
| Build it Now™   | FPST™                               | PDP SPM™  | The Power Franchise®  |
| CorePLUS™   | F-PFS™                              | Power-SPM™  | the power franchise   |
| CorePOWER™  | FRFET®                              | PowerTrench®  | TinyBoost™  |
| CROSSVOLT™  | Global Power Resource <sup>SM</sup> | Programmable Active Droop™  | TinyBuck™   |
| CTL™  | Green FPS™                          | QFET®   | TinyLogic®  |
| Current Transfer Logic™   | Green FPS™ e-Series™                | QS™   | TINYOPTO™   |
| EcoSPARK®   | GTO™                                | Quiet Series™   | TinyPower™  |
| EfficientMax™   | IntelliMAX™                         | RapidConfigure™   | TinyPWM™  |
| EZSWITCH™ *   | ISOPLANAR™                          | Saving our world, 1mW at a time™  | TinyWire™   |
|  | MegaBuck™                           | SmartMax™   |  |
|  | MICROCOUPLER™                       | SMART START™  | u SerDes™   |
| Fairchild®  | MicroFET™                           | SPM®  | Ultra FRFET™  |
| Fairchild Semiconductor®  | MicroPak™                           | STEALTH™  | UniFET™   |
| FACT Quiet Series™  | MillerDrive™                        | SuperFET™   | VCX™  |
| FACT®   | MotionMax™                          | SuperSOT™-3   | VisualMax™  |
| FAST®   | Motion-SPM™                         | SuperSOT™-6   |   |
| FastvCore™  | OPTOLOGIC®                          | SuperSOT™-8   |   |
| FlashWriter® *  | OPTOPLANAR®                         | SupreMOS™   |   |
|   |                                     | SyncFET™  |   |
|   |                                     |  |   |

\* EZSWITCH™ and FlashWriter® are trademarks of System General Corporation, used under license by Fairchild Semiconductor.

**DISCLAIMER**

FAIRCHILD SEMICONDUCTOR RESERVES THE RIGHT TO MAKE CHANGES WITHOUT FURTHER NOTICE TO ANY PRODUCTS HEREIN TO IMPROVE RELIABILITY, FUNCTION, OR DESIGN. FAIRCHILD DOES NOT ASSUME ANY LIABILITY ARISING OUT OF THE APPLICATION OR USE OF ANY PRODUCT OR CIRCUIT DESCRIBED HEREIN; NEITHER DOES IT CONVEY ANY LICENSE UNDER ITS PATENT RIGHTS, NOR THE RIGHTS OF OTHERS. THESE SPECIFICATIONS DO NOT EXPAND THE TERMS OF FAIRCHILD'S WORLDWIDE TERMS AND CONDITIONS, SPECIFICALLY THE WARRANTY THEREIN, WHICH COVERS THESE PRODUCTS.

**LIFE SUPPORT POLICY**

FAIRCHILD'S PRODUCTS ARE NOT AUTHORIZED FOR USE AS CRITICAL COMPONENTS IN LIFE SUPPORT DEVICES OR SYSTEMS WITHOUT THE EXPRESS WRITTEN APPROVAL OF FAIRCHILD SEMICONDUCTOR CORPORATION.

As used herein:

- Life support devices or systems are devices or systems which, (a) are intended for surgical implant into the body or (b) support or sustain life, and (c) whose failure to perform when properly used in accordance with instructions for use provided in the labeling, can be reasonably expected to result in a significant injury of the user.
- A critical component in any component of a life support, device, or system whose failure to perform can be reasonably expected to cause the failure of the life support device or system, or to affect its safety or effectiveness.

**ANTI-COUNTERFEITING POLICY**

Fairchild Semiconductor Corporation's Anti-Counterfeiting Policy. Fairchild's Anti-Counterfeiting Policy is also stated on our external website, [www.fairchildsemi.com](http://www.fairchildsemi.com), under Sales Support.

Counterfeiting of semiconductor parts is a growing problem in the industry. All manufactures of semiconductor products are experiencing counterfeiting of their parts. Customers who inadvertently purchase counterfeit parts experience many problems such as loss of brand reputation, substandard performance, failed application, and increased cost of production and manufacturing delays. Fairchild is taking strong measures to protect ourselves and our customers from the proliferation of counterfeit parts. Fairchild strongly encourages customers to purchase Fairchild parts either directly from Fairchild or from Authorized Fairchild Distributors who are listed by country on our web page cited above. Products customers buy either from fairchild directly or from Authorized Fairchild Distributors are genuine parts, have full traceability, meet Fairchild's quality standards for handling and storage and provide access to Fairchild's full range of up-to-date technical and product information. Fairchild and our Authorized Distributors will stand behind all warranties and will appropriately address and warranty issues that may arise. Fairchild will not provide any warranty coverage or other assistance for parts bought from Unauthorized Sources. Fairchild is committed to combat this global problem and encourage our customers to do their part in stopping this practice by buying direct or from authorized distributors.

**PRODUCT STATUS DEFINITIONS**

**Definition of Terms**

Datasheet Identification	Product Status	Definition
Advance Information	Formative / In Design	Datasheet contains the design specifications for product development. Specifications may change in any manner without notice.
Preliminary	First Production	Datasheet contains preliminary data; supplementary data will be published at a later date. Fairchild Semiconductor reserves the right to make changes at any time without notice to improve design.
No Identification Needed	Full Production	Datasheet contains final specifications. Fairchild Semiconductor reserves the right to make changes at any time without notice to improve the design.
Obsolete	Not In Production	Datasheet contains specifications on a product that is discontinued by Fairchild Semiconductor. The datasheet is for reference information only.

Rev. I35

ON Semiconductor and  are trademarks of Semiconductor Components Industries, LLC dba ON Semiconductor or its subsidiaries in the United States and/or other countries. ON Semiconductor owns the rights to a number of patents, trademarks, copyrights, trade secrets, and other intellectual property. A listing of ON Semiconductor's product/patent coverage may be accessed at [www.onsemi.com/site/pdf/Patent-Marking.pdf](http://www.onsemi.com/site/pdf/Patent-Marking.pdf). ON Semiconductor reserves the right to make changes without further notice to any products herein. ON Semiconductor makes no warranty, representation or guarantee regarding the suitability of its products for any particular purpose, nor does ON Semiconductor assume any liability arising out of the application or use of any product or circuit, and specifically disclaims any and all liability, including without limitation special, consequential or incidental damages. Buyer is responsible for its products and applications using ON Semiconductor products, including compliance with all laws, regulations and safety requirements or standards, regardless of any support or applications information provided by ON Semiconductor. "Typical" parameters which may be provided in ON Semiconductor data sheets and/or specifications can and do vary in different applications and actual performance may vary over time. All operating parameters, including "Typicals" must be validated for each customer application by customer's technical experts. ON Semiconductor does not convey any license under its patent rights nor the rights of others. ON Semiconductor products are not designed, intended, or authorized for use as a critical component in life support systems or any FDA Class 3 medical devices or medical devices with a same or similar classification in a foreign jurisdiction or any devices intended for implantation in the human body. Should Buyer purchase or use ON Semiconductor products for any such unintended or unauthorized application, Buyer shall indemnify and hold ON Semiconductor and its officers, employees, subsidiaries, affiliates, and distributors harmless against all claims, costs, damages, and expenses, and reasonable attorney fees arising out of, directly or indirectly, any claim of personal injury or death associated with such unintended or unauthorized use, even if such claim alleges that ON Semiconductor was negligent regarding the design or manufacture of the part. ON Semiconductor is an Equal Opportunity/Affirmative Action Employer. This literature is subject to all applicable copyright laws and is not for resale in any manner.

## PUBLICATION ORDERING INFORMATION

### LITERATURE FULFILLMENT:

Literature Distribution Center for ON Semiconductor  
19521 E. 32nd Pkwy, Aurora, Colorado 80011 USA  
**Phone:** 303-675-2175 or 800-344-3860 Toll Free USA/Canada  
**Fax:** 303-675-2176 or 800-344-3867 Toll Free USA/Canada  
**Email:** [orderlit@onsemi.com](mailto:orderlit@onsemi.com)

**N. American Technical Support:** 800-282-9855 Toll Free  
USA/Canada  
**Europe, Middle East and Africa Technical Support:**  
Phone: 421 33 790 2910  
**Japan Customer Focus Center**  
Phone: 81-3-5817-1050

**ON Semiconductor Website:** [www.onsemi.com](http://www.onsemi.com)  
**Order Literature:** <http://www.onsemi.com/orderlit>  
For additional information, please contact your local  
Sales Representative