



Chipsmall Limited consists of a professional team with an average of over 10 year of expertise in the distribution of electronic components. Based in Hongkong, we have already established firm and mutual-benefit business relationships with customers from,Europe,America and south Asia,supplying obsolete and hard-to-find components to meet their specific needs.

With the principle of “Quality Parts,Customers Priority,Honest Operation,and Considerate Service”,our business mainly focus on the distribution of electronic components. Line cards we deal with include Microchip,ALPS,ROHM,Xilinx,Pulse,ON,Everlight and Freescale. Main products comprise IC,Modules,Potentiometer,IC Socket,Relay,Connector.Our parts cover such applications as commercial,industrial, and automotives areas.

We are looking forward to setting up business relationship with you and hope to provide you with the best service and solution. Let us make a better world for our industry!



Contact us

Tel: +86-755-8981 8866 Fax: +86-755-8427 6832

Email & Skype: info@chipsmall.com Web: www.chipsmall.com

Address: A1208, Overseas Decoration Building, #122 Zhenhua RD., Futian, Shenzhen, China





VI BRICK® AC Front End FE175D480C033FP-00

Size:
3.75 x 1.91 x 0.38 in
95,3 x 48,6 x 9,55 mm



Complete AC-DC PCB-mounted solution

Features

- Complete AC-DC PCB-mounted solution
- Active Power Factor Correction (PFC)
- Rectification
- Filtering
- Transient protection
- Low profile package, 9.55mm height above board
- Power density: 121 W/in³, 330 W in 7.2 in² footprint
- Consistent high efficiency over world-wide AC mains (85 – 264 Vac)
- Secondary-side energy storage
- SELV 48 V Output
 - Efficient power distribution to POL converters
- 3,000 Vac /4,242 Vdc isolation
- PFC (THD) exceeds EN61000-3-2 requirements
- Conducted emissions EN55022, Class B (with a few external components)
- Surge immunity EN61000-4-5
- ZVS high frequency (MHz) switching
- Low profile, high-density filtering
- 100°C baseplate operation

Typical Applications

- LED - Lighting, display, signage
- Telecom (WiMAX, Power Amplifiers, Optical Switches)
- Automatic Test Equipment (ATE)
- High Efficiency Server Power
- Office Equipment (Printers, Copiers, Projectors)
- Industrial Equipment (Process Controllers, Material Handling, Factory Automation)

Product Overview

The VI BRICK® AC Front End is an AC-to-DC converter, operating from a universal AC input to generate an isolated and regulated 48 Vdc output with power factor correction. The module incorporates rectification, transient and surge suppression and AC to DC conversion to provide a complete AC to DC solution in a thin profile package. With its ZVS high frequency Adaptive Cell™ topology, the VI BRICK AC Front End module consistently delivers high efficiency across worldwide AC mains. Downstream DC-DC converters support secondary-side energy storage and efficient power distribution, providing superior power system performance and connectivity from the wall plug to the point-of-load.

Major Specifications

V_{IN}	85 – 264 V _{AC}
V_{OUT}	48 V _{DC} (isolated)
P_{OUT}	330 W

Nomenclature

Function		Input Voltage Designator			Package Size	Output Voltage Vout (V) (x10)			Temperature Grade	Output Power Pout (W) (÷10)			Baseplate	Pin Style	Revision	
F	E	1	7	5	D	4	8	0	C	0	3	3	F	P	-	0 0

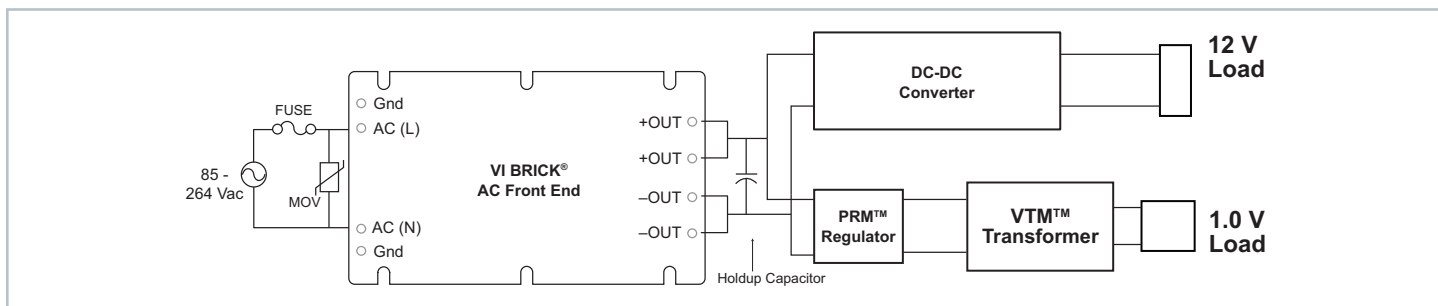
Universal (85 – 264 Vac)

Grade	Operating	Storage
C =	-20 to 100°C	-40 to 125°C
T =	-40 to 100°C	-40 to 125°C
M =	-55 to 100°C	-65 to 125°C

F = Slotted Flange

P = Through hole

Typical Application: Universal AC to 12 V and 1 V, total 300 W



Absolute Maximum Ratings

The ABSOLUTE MAXIMUM Ratings below are stress ratings only. Operation at or beyond these maximum ratings can cause permanent damage to device. Electrical specifications do not apply when operating beyond rated operating conditions. Positive pin current represents current flowing out of the pin.

Parameter	Comments	Min	Max	Unit
Input voltage AC (L) to AC (N)	Continuous		275	V_{AC}
Input voltage AC (L) to AC (N)	1 ms	0	600	V_{pk}
RSV1 to -IN	Do not connect to this pin	-0.3	5.3	V_{DC}
EN to -IN	5 V tolerant 3.3 V logic	-0.3	5.3	V_{DC}
RSV3 to -IN	Do not connect to this pin	-0.3	5.3	V_{DC}
Output voltage (+Out to -Out)		-0.5	57.0	V_{DC}
Output current		0.0	10.2	A
Temperature				
Operating junction	Worst case semiconductor	0	125	$^{\circ}C$
Operating temperature	C-Grade; baseplate	-20	100	$^{\circ}C$
	T-Grade; baseplate	-40	100	$^{\circ}C$
	M-Grade; baseplate	-55	100	$^{\circ}C$
Storage temperature	C-Grade	-40	125	$^{\circ}C$
	T-Grade	-40	125	$^{\circ}C$
	M-Grade	-65	125	$^{\circ}C$
Dielectric Withstand				
Dielectric Withstand Input – Output		3000		V_{RMS}
Dielectric Withstand Input – Base		1500		V_{RMS}
Dielectric Withstand Output – Base		1500		V_{RMS}

Electrical Characteristics

Specifications apply over all line and load conditions, 50 Hz and 60 Hz line frequencies, $T_C = 25^\circ\text{C}$, unless otherwise noted.

Boldface specifications apply over the temperature range of the specified Product Grade. C_{OUT} is 6800uF +/- 20% unless otherwise specified.

Attribute	Symbol	Conditions / Notes	Min	Typ	Max	Unit
Power Input Specification						
Input voltage range, continuous operation	V_{IN}		85		264	V_{RMS}
Input voltage cell reconfiguration low-to-high threshold	V_{IN-CR+}			145	148	V_{RMS}
Input voltage cell reconfiguration high-to-low threshold	V_{IN-CR-}		132	135		V_{RMS}
Input current (peak)	I_{INRP}				12	A
Source line frequency range	f_{line}		47		63	Hz
Power factor	PF	Input power > 100 W		0.9		-
Input inductance, (external)	L_{IN}	Differential-mode inductance, common-mode inductance may be higher			1	mH
No Load Specification						
Input power – no load, maximum	P_{NL}	EN floating, see Figure 4		1.1	1.5	W
Input power – disabled, maximum	P_Q	EN pulled low, see Figure 5			1.6	W
Power Output Specification						
Output voltage set point	V_{OUT}	$V_{in} = 230 V_{rms}$, 10% Load	47.5	49	50.5	V
Output voltage, no load	V_{OUT-NL}	Over all operating steady state line conditions	46	51.5	55	V
Output voltage range (transient)	V_{OUT}	Non-faulting abnormal line and load transient conditions	30		55	V
Output power	P_{OUT}	See Figure 1, Safe Operating Area			330	W
Efficiency	η	$V_{IN} = 230 V$, full load	91		94	%
		$85 V < V_{IN} < 264 V$, full load, see Figure 2	88.5			%
		$85 V < V_{IN} < 264 V$, 75% load	89			%
Output voltage ripple, switching frequency	$V_{OUT-PP-HF}$	Over all operating steady-state line and load conditions, 20 MHz BW, measured at C3, Figure 28.		100	300	mV
Output voltage ripple line frequency	$V_{OUT-PP-LF}$	Over all operating steady-state line and load conditions, 20 MHz BW		3.8	5	V
Output capacitance (external)	$C_{OUT-EXT}$		6,000		12,000	μF
Output turn-on delay	T_{ON}	From V_{IN} applied, EN floating From EN pin release, V_{IN} applied		400	1000	ms
Start-up setpoint acquisition time	T_{SS}	Full load		400	500	ms
Cell reconfiguration response time	T_{CR}	Full load		5.5	11	ms
Voltage deviation (load transient)	$\%V_{OUT-TRANS}$	$C_{OUT} = \text{Max}$			8	%
Recovery time	T_{TRANS}			250	500	ms
Line regulation	$\%V_{OUT-LINE}$	Full load		0.5	1	%
Load regulation	$\%V_{OUT-LOAD}$	10% to 100% load		0.5	1	%
Output current (continuous)	I_{OUT}	See Figure 1, SOA			6.9	A

Electrical Characteristics (cont.)

Attribute	Symbol	Conditions / Notes	Min	Typ	Max	Unit
Power Output Specification (cont.)						
Output current (transient)	I _{OUT-PK}	20ms duration, max			10.2	A
Output switching cycle charge	Q _{TOT}				13.5	μC
Output inductance (parasitic)	L _{OUT-PAR}	Frequency @ 1 MHz		1		nH
Output capacitance (internal)	C _{OUT-INT}	Effective value at nominal output voltage		7		μF
Output capacitance (internal ESR)	R _{COU}			0.5		mΩ
Powertrain Protections						
Input undervoltage turn-on	V _{IN-UVLO+}	See Timing Diagram		74	83	V _{RMS}
Input undervoltage turn-off	V _{IN-UVLO-}		65	71		V _{RMS}
Output overvoltage threshold	V _{OUT-OVLO+}	Instantaneous, latched shutdown	55.3	56.6	59.0	V
Upper start/restart temperature threshold (case)	T _{CASE-OTP-}		100			°C
Overtemperature shutdown threshold (junction)	T _{J-OTP+}		130			°C
Overtemperature shutdown threshold (case)	T _{CASE-OTP+}			110		°C
Undertemperature shutdown threshold (case)	T _{CASE-UTP-}	C Grade			-25	°C
Lower start / restart temperature threshold (case)	T _{CASE-UTP+}	C Grade			-20	°C
Overcurrent blanking time	T _{OC}	Based on line frequency	400	460	550	ms
Input overvoltage response time	T _{POVP}				6	μs
Input undervoltage response time	T _{UVLO}	Based on line frequency	27	39	51	ms
Output overvoltage response time	T _{SOVP}	Powertrain on	60	120	180	μs
Short circuit response time	T _{SC}	Powertrain on, operational state		60	120	μs
Fault retry delay time	T _{OFF}	See Timing Diagram		10		s
Output power limit	P _{PROT}		330			W

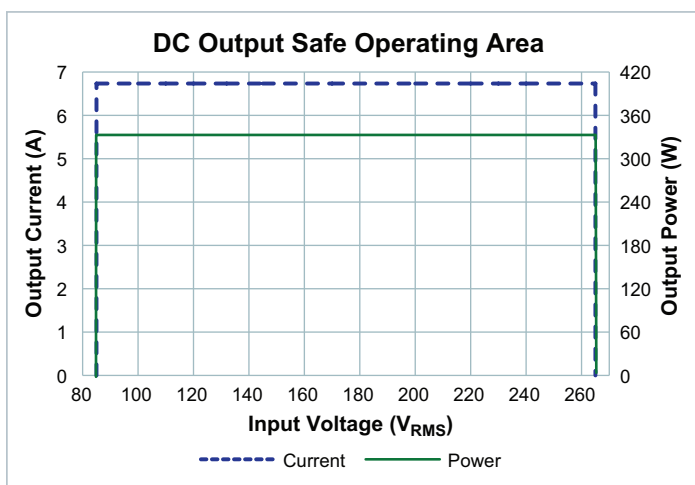


Figure 1 — DC output safe operating area

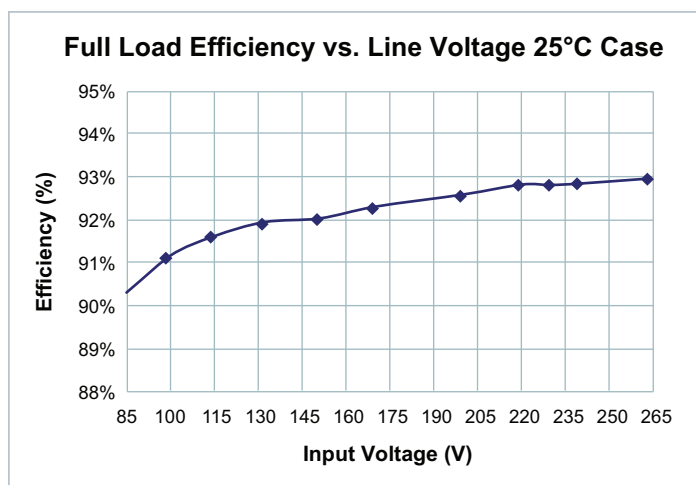


Figure 2 — Full load efficiency vs. line voltage

Signal Characteristics

Specifications apply over all line and load conditions, 50 Hz and 60 Hz line frequencies, $T_C = 25^\circ\text{C}$, unless otherwise noted.

Boldface specifications apply over the temperature range of the specified Product Grade.

ENABLE : EN

- The EN pin enables and disables the VI BRICK® AC Front End; when held below 0.8 V the unit will be disabled.
- The EN pin can reset the VI BRICK AC Front End after a latching OVP event.
- The EN pin voltage is 3.3 V during normal operation.
- The EN pin is referenced to the -IN pin of the module.

Signal Type	State	Attribute	Symbol	Conditions / Notes	Min	Typ	Max	Unit
Digital Input	Startup	EN enable threshold	V_{EN_EN}				2.00	V
	Standby	EN disable time	T_{EN_DIS}	From any point in line cycle		9	16	ms
		EN disable threshold	V_{EN_DIS}			0.80		V
		EN resistance to disable	R_{EN_EXT}	Max allowable resistance to -IN required to disable the module			14	k Ω

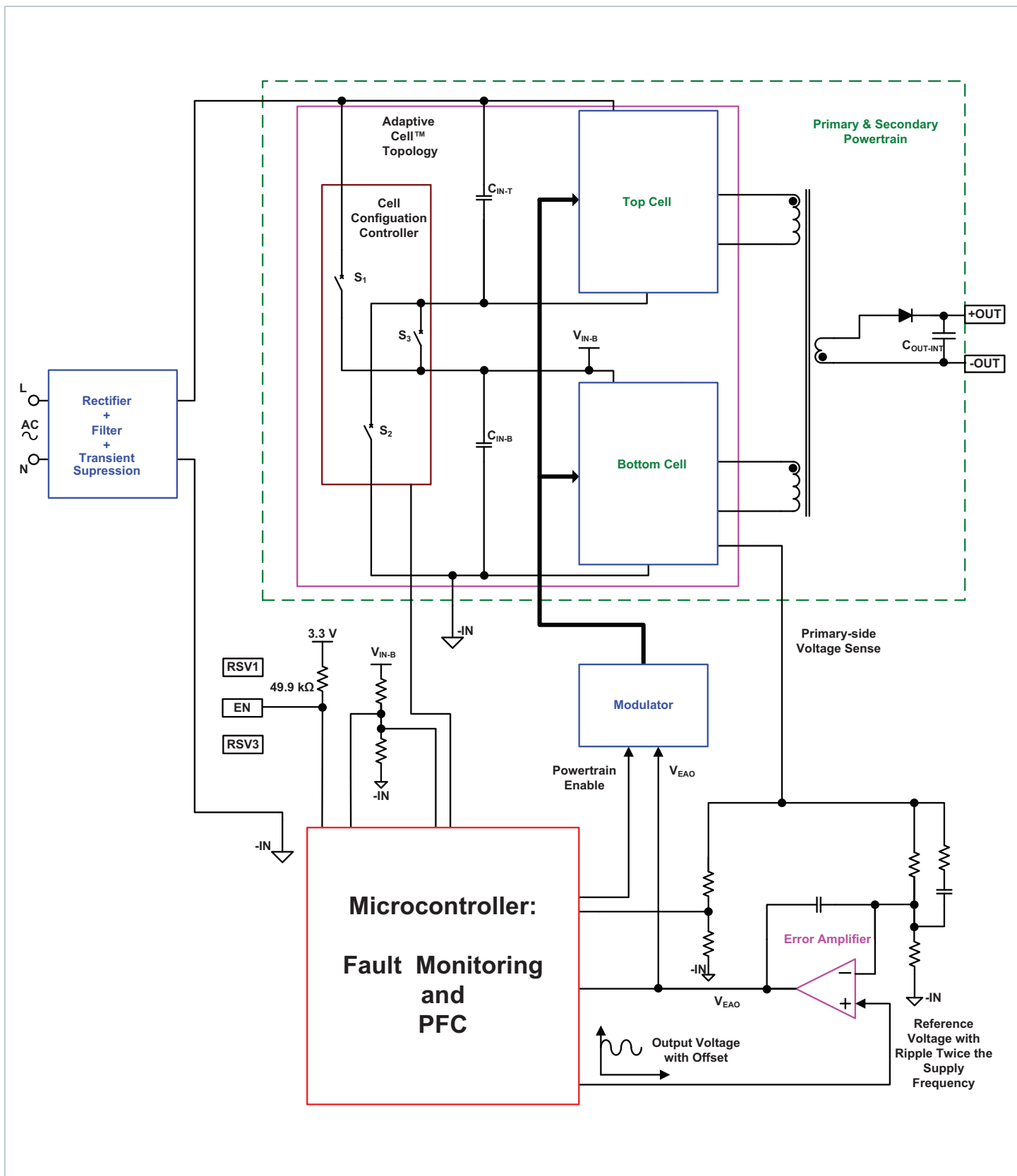
RESERVED : RSV1, RSV3

No connections should be made to these pins

-IN

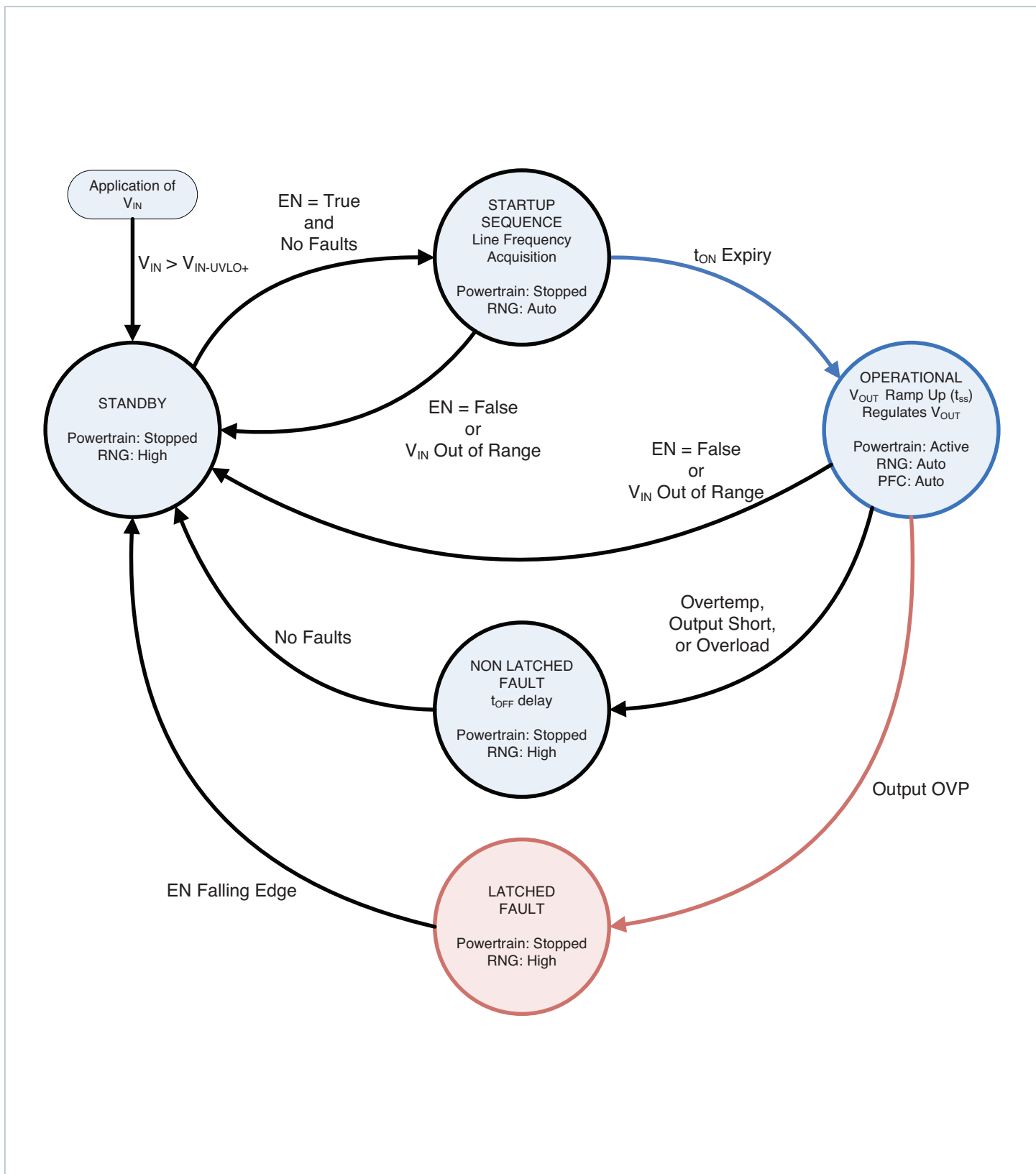
- **Warning:** -IN and N are not at the same potential and must not be connected together.
- The -IN pin is the signal reference ground for the EN pin
- The -IN pin also serves as an access point for the common mode bypass filter to comply with EN55022 Class B for Conducted Emissions.

Functional Block Diagram



High Level Functional State Diagram

Conditions that cause state transitions are shown along arrows. Sub-sequence activities listed inside the state bubbles.



Timing Diagrams

Module Inputs are shown in blue; Module Outputs are shown in brown.

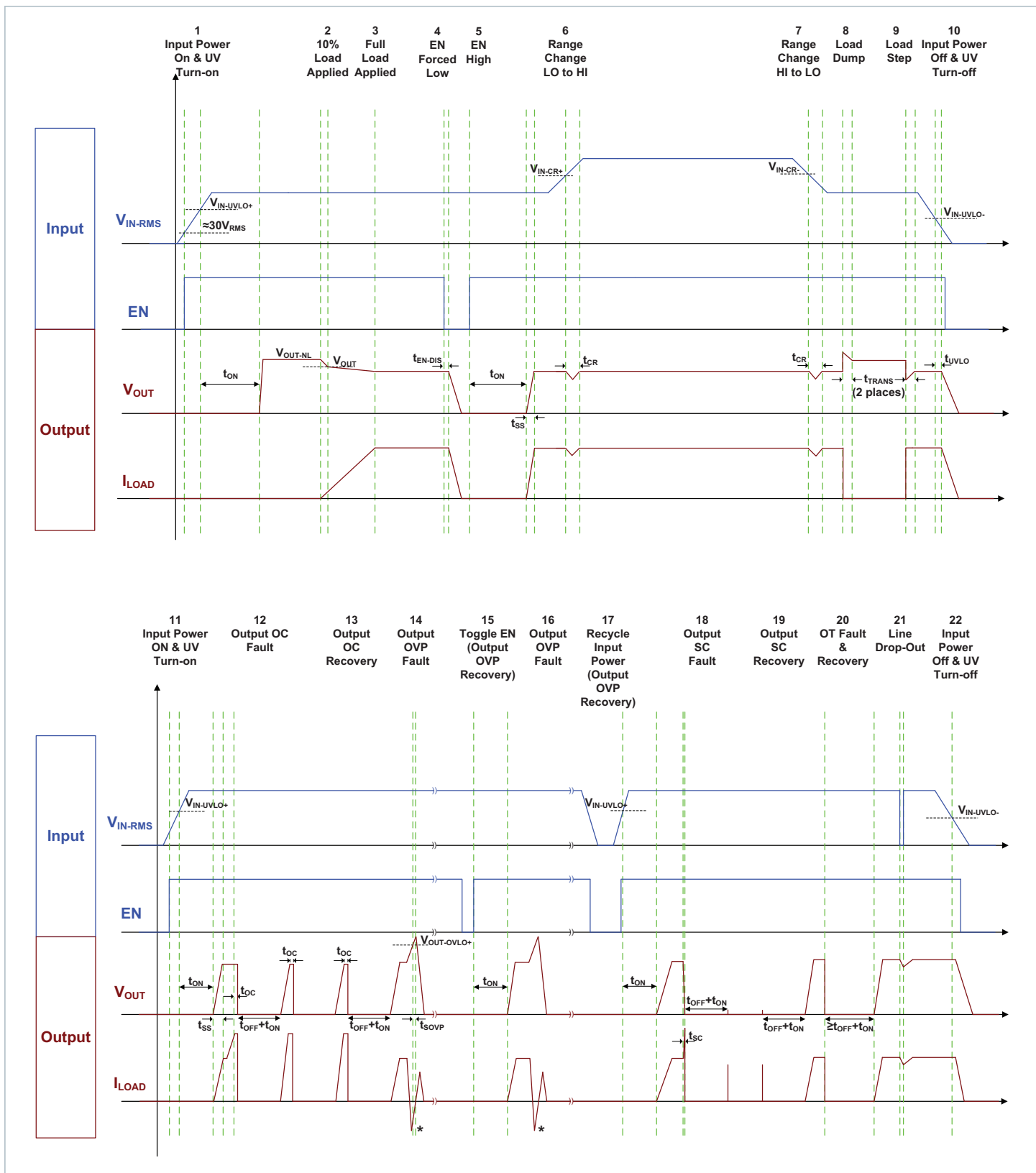


Figure 3 — Timing diagram - * Negative current is externally forced and shown for the purpose of OVP protection scenario.

Application Characteristics

The following figures present typical performance at $T_C = 25^\circ\text{C}$, unless otherwise noted. See associated figures for general trend data.

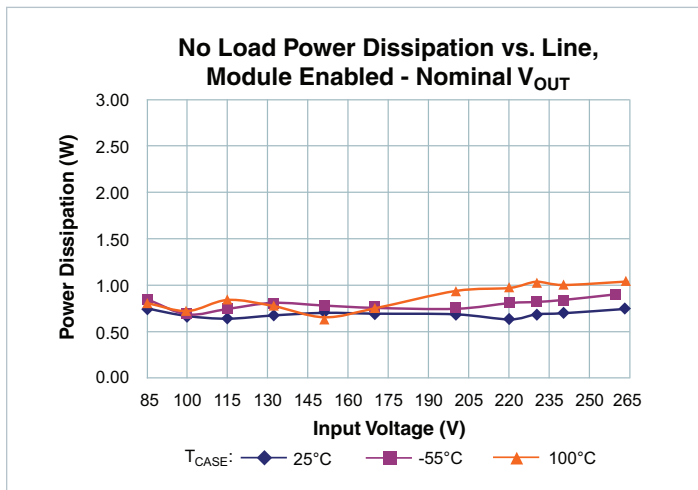


Figure 4 – Typical no load power dissipation vs. V_{IN} , module enabled.

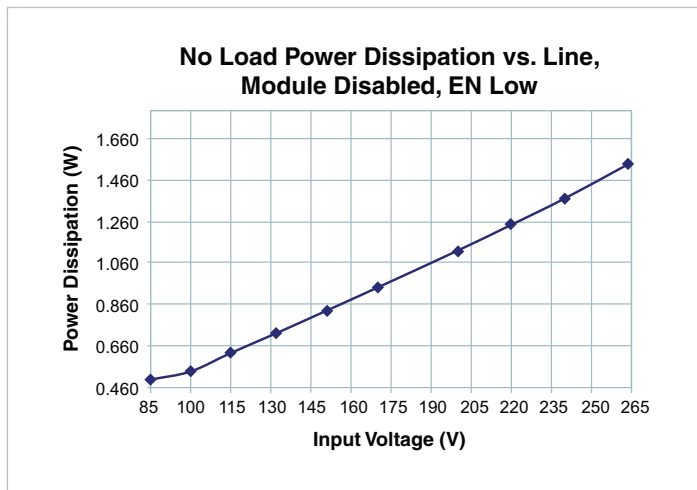


Figure 5 – No load power dissipation trend vs. V_{IN} , module disabled.

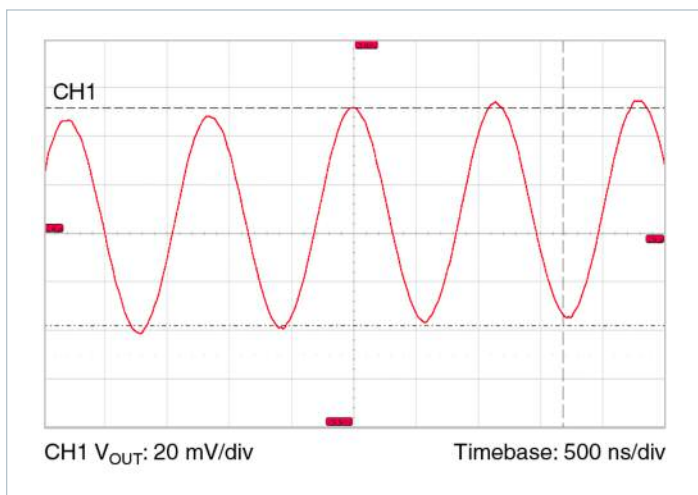


Figure 6 – Typical switching frequency output voltage ripple waveform, $T_{CASE} = 30^\circ\text{C}$, $V_{IN} = 230\text{ V}$, $I_{OUT} = 6.9\text{ A}$, no external ceramic capacitance.

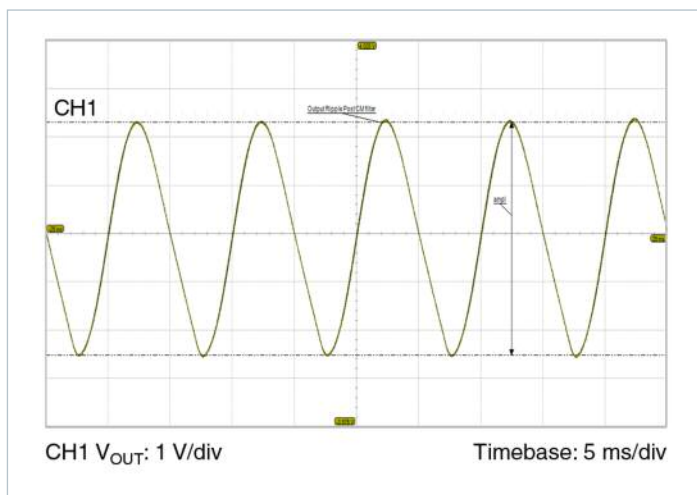


Figure 7 – Typical line frequency output voltage ripple waveform, $T_{CASE} = 30^\circ\text{C}$, $V_{IN} = 230\text{ V}$, $I_{OUT} = 6.9\text{ A}$, $C_{OUT} = 6,800\text{ }\mu\text{F}$. Measured at C3, Figure 28.

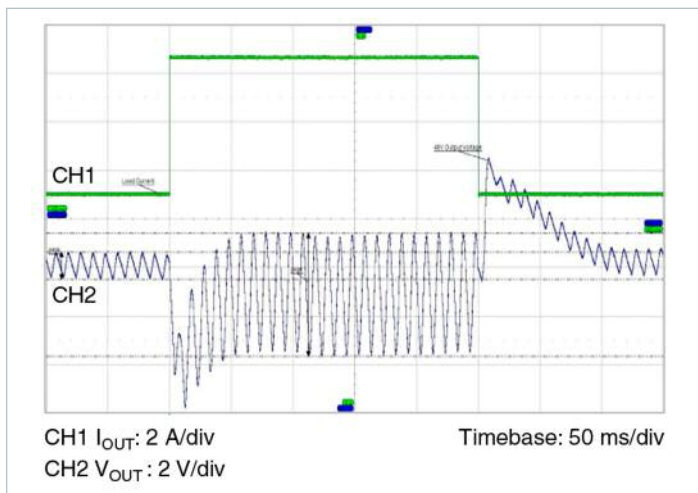


Figure 8 – Typical output voltage transient response, $T_{CASE} = 30^\circ\text{C}$, $V_{IN} = 230\text{ V}$, $I_{OUT} = 6.9\text{ A}$, $C_{OUT} = 6,800\text{ }\mu\text{F}$.

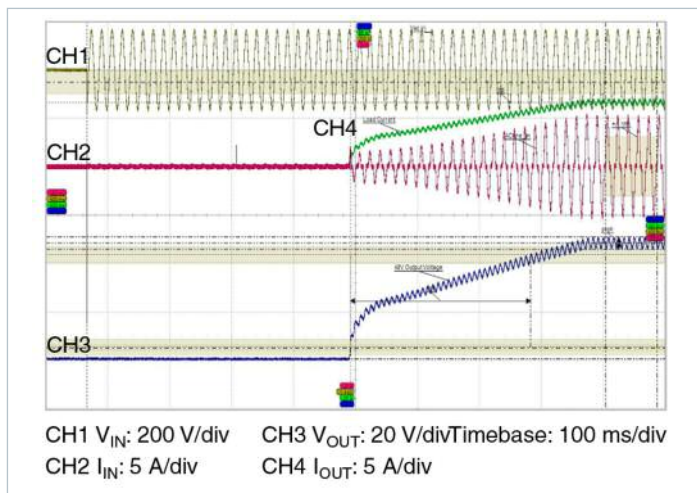


Figure 9 – Typical startup waveform, application of V_{IN} , $R_{LOAD} = 7.1\text{ }\Omega$, $C_{OUT} = 6,800\text{ }\mu\text{F}$.

Application Characteristics (cont.)

The following figures present typical performance at $T_C = 25^\circ\text{C}$, unless otherwise noted. See associated figures for general trend data.

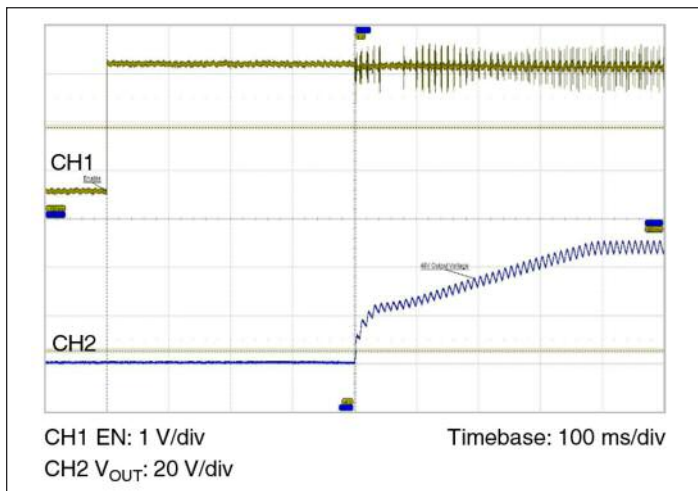


Figure 10 – Typical startup waveform, EN pin release, $V_{IN} = 230\text{ V}$, $R_{LOAD} = 7.1\ \Omega$, $C_{OUT} = 6,800\ \mu\text{F}$.

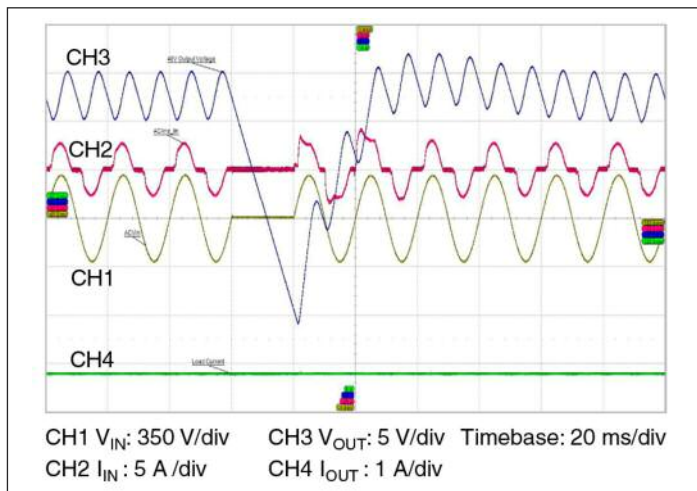


Figure 11 – Line drop out, 50 Hz, 0° phase, $P_{LOAD} = 330\text{ W}$, $C_{OUT} = 6,800\ \mu\text{F}$.

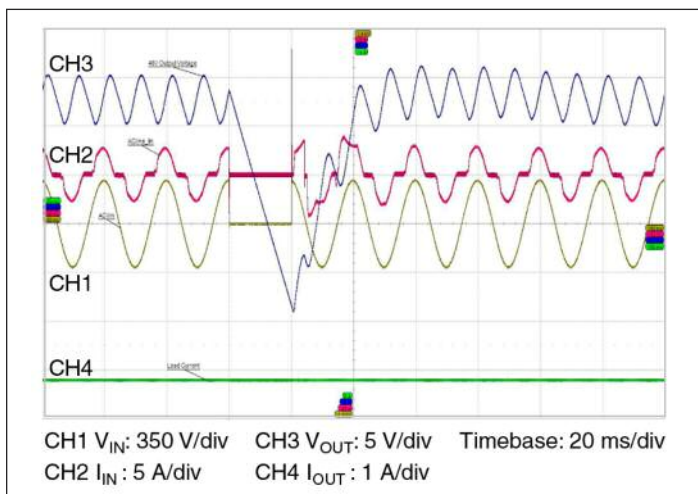


Figure 12 – Line drop out, 50 Hz, 90° phase, $V_{IN} = 230\text{ V}$, $P_{LOAD} = 330\text{ W}$, $C_{OUT} = 6,800\ \mu\text{F}$.

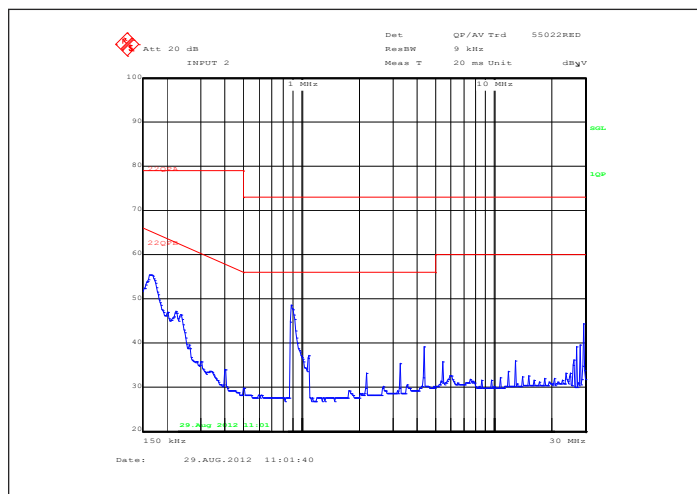


Figure 13 – Typical EMI spectrum, Quasi-Peak Scan, 90% load, 230 V_{IN} , $C_{OUT} = 6,800\ \mu\text{F}$. Test circuit - Figure 28.

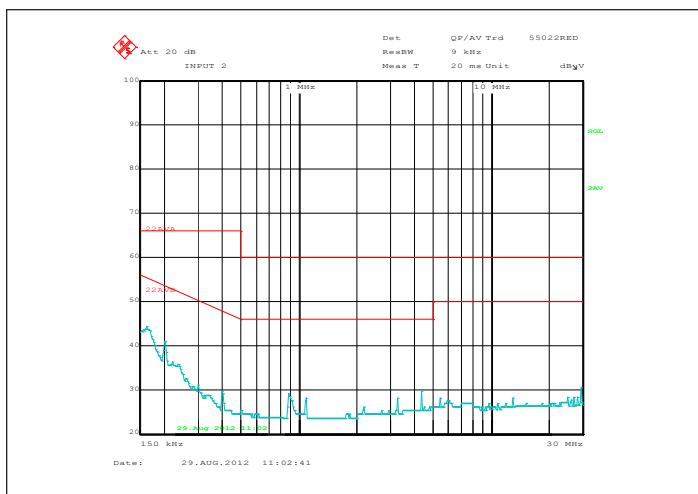


Figure 14 – Typical EMI spectrum, Average Scan, 90% load, 230 V_{IN} , $C_{OUT} = 6,800\ \mu\text{F}$. Test circuit - Figure 28.

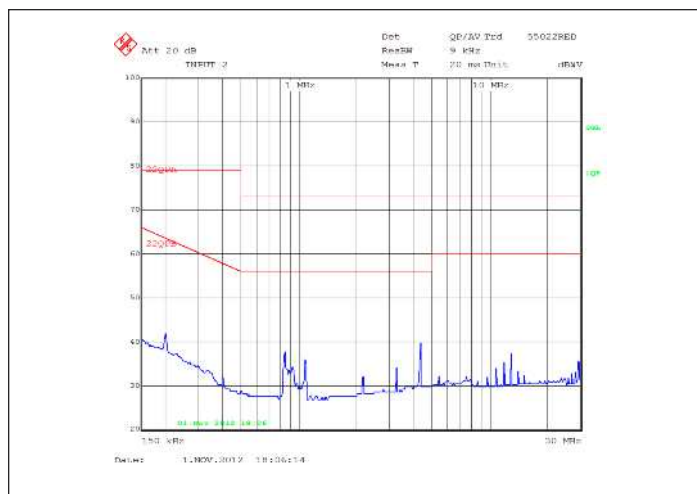


Figure 15 – Typical EMI spectrum, Quasi-Peak Scan, 90% load, 115 V_{IN} , $C_{OUT} = 6,800\ \mu\text{F}$. Test circuit - Figure 28.

Application Characteristics (cont.)

The following figures present typical performance at $T_C = 25^\circ\text{C}$, unless otherwise noted. See associated figures for general trend data.

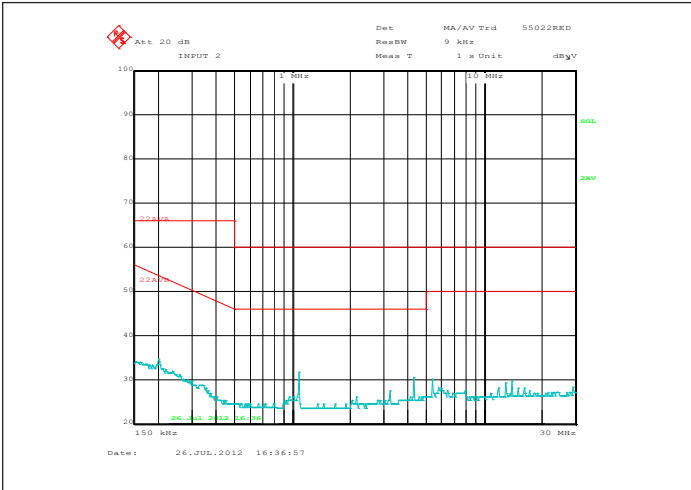


Figure 16 – Typical EMI spectrum, Average Scan, 90% load, 115 V_{IN} , $C_{OUT} = 6,800 \mu\text{F}$. Test circuit - Figure 28.

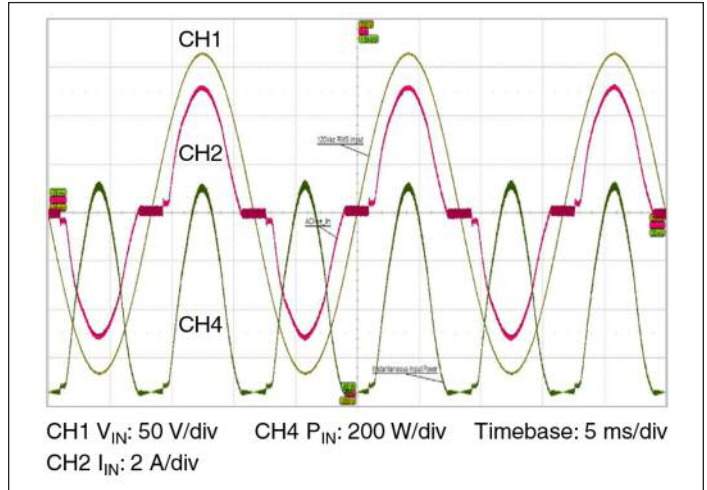


Figure 17 – Typical line current waveform, 60 Hz, $V_{IN} = 120 \text{ V}$, $P_{LOAD} = 330 \text{ W}$, $C_{OUT} = 6,800 \mu\text{F}$.

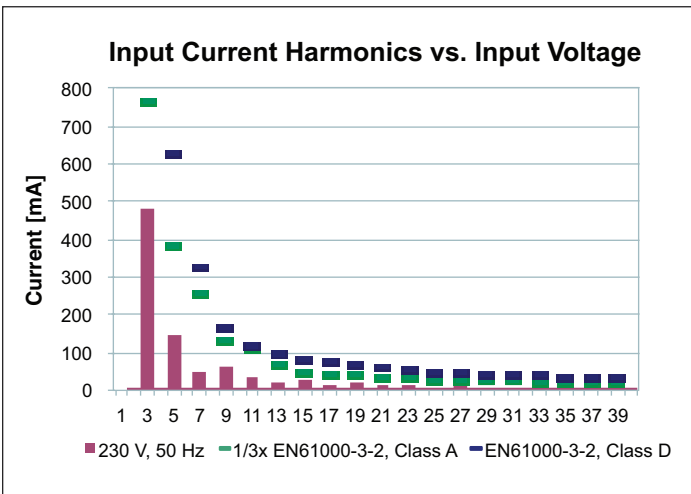


Figure 18 – Typical input current harmonics, full load vs. V_{IN} .

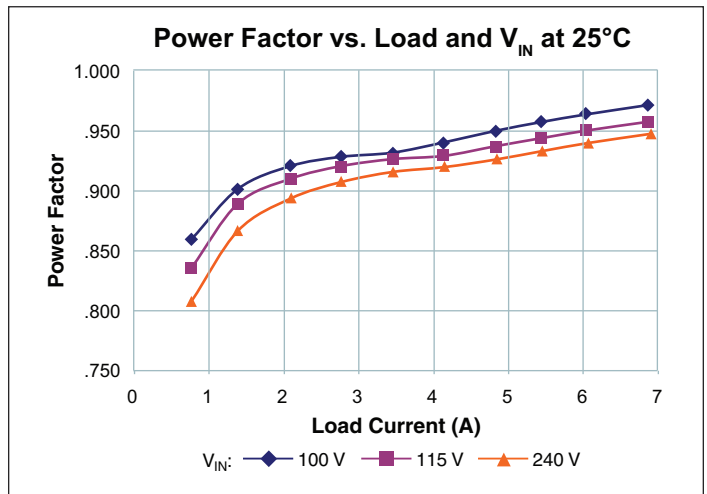


Figure 19 – Typical power factor vs. V_{IN} and I_{OUT} .

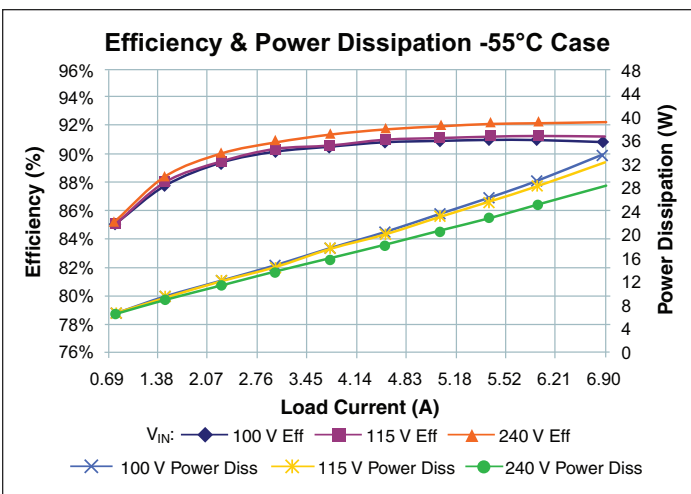


Figure 20 – V_{IN} to V_{OUT} efficiency and power dissipation vs. V_{IN} and I_{OUT} , $T_{CASE} = -55^\circ\text{C}$.

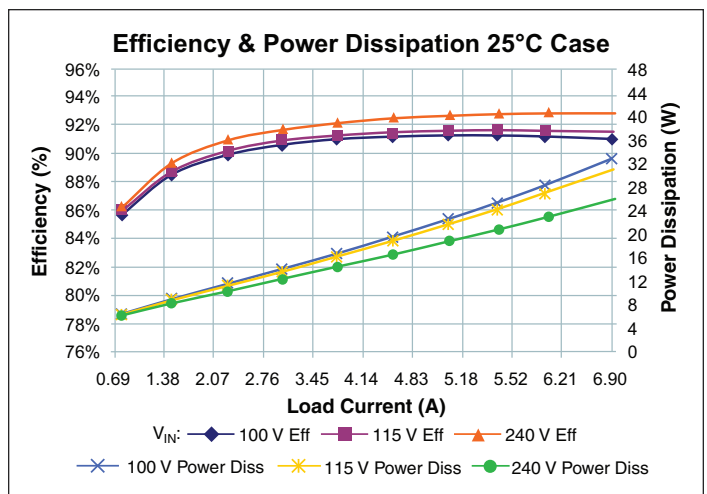


Figure 21 – V_{IN} to V_{OUT} efficiency and power dissipation vs. V_{IN} and I_{OUT} , $T_{CASE} = 25^\circ\text{C}$.

Application Characteristics (cont.)

The following figures present typical performance at $T_C = 25^\circ\text{C}$, unless otherwise noted. See associated figures for general trend data.

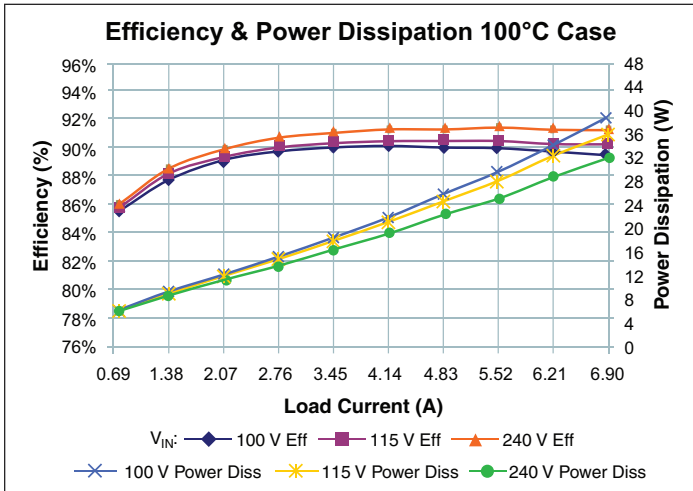


Figure 22 – V_{IN} to V_{OUT} efficiency and power dissipation vs. V_{IN} and I_{OUT} , $T_{CASE} = 100^\circ\text{C}$.

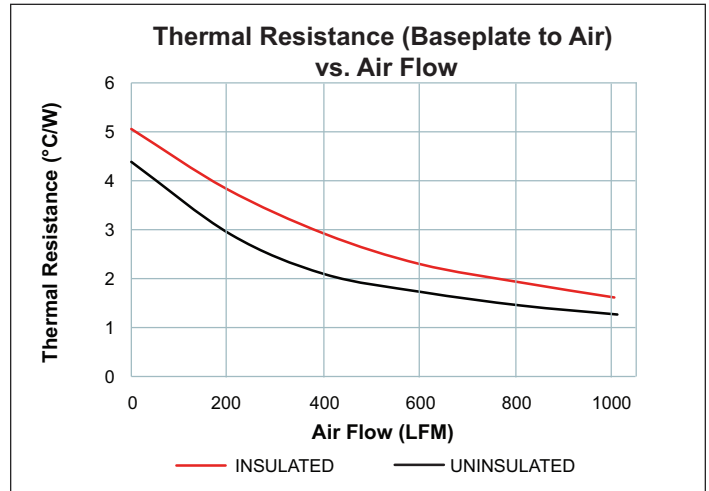


Figure 23 – Baseplate to air thermal resistance
 Insulated – minimal thermal dissipation through pins to pcb; Uninsulated – thermal dissipation to typical pcb.

General Characteristics

Specifications apply over all line and load conditions, 50 Hz and 60 Hz line frequencies, TC = 25°C, unless otherwise noted.
Boldface specifications apply over the temperature range of the specified Product Grade.

Attribute	Symbol	Conditions / Notes	Min	Typ	Max	Unit
Mechanical						
Length	L			95.3/[3.75]		mm/[in]
Width	W			48.6/[1.91]		mm/[in]
Height	H			9.55/[0.38]		mm/[in]
Volume	Vol			44.2/[2.69]		cm ³ /[in ³]
Weight	W			111/[3.9]		g/[oz]
Pin material		C10200 copper, full hard				
Underplate		Nickel	100		150	µin
Pin finish		Pure matte tin, whisker resistant chemistry	200		300	
Thermal						
Operating baseplate (case) temperature	T _C	Any operating condition	C - Grade	-20	100	°C
			T - Grade	-40	100	°C
			M - Grade	-55	100	°C
Thermal resistance, baseplate-to-sink, flat greased surface				0.13		°C/W
Thermal resistance, baseplate-to-sink, thermal pad (PN 36967)				0.17		°C/W
Thermal capacity				84.5		Ws/°C
Thermal design		See Thermal Design on page 18				
Assembly						
ESD rating	ESD _{HBM}	Human Body Model, "JEDEC JESD 22-A114C.01"	1,000			V
	ESD _{MM}	Machine Model, "JEDEC JESD 22-A115B"	N/A			
	ESD _{CDM}	Charged Device Model, "JEDEC JESD 22-C101D"	200			
Soldering						
See application note		Soldering Methods and Procedure for Vicor Power Modules »				
Safety & Reliability						
Agency approvals/standards		cTÜVus (EN60950-1)				
		cURus (UL/CSA 60950-1) CE, Low Voltage Directive 2006/95/EC				
		Touch Current measured in accordance with IEC 60990 using measuring network Figure 28		0.56	0.68	mA
EMI/EMC Compliance						
FCC Part 15, EN55022, CISPR22: 2006 + A1: 2007, Conducted Emissions		Class B Limits - with components connected as shown in Figure 28				
EN61000-3-2: 2009, Harmonic Current Emissions		Class A				
EN61000-3-3: 2005, Voltage Changes & Flicker		P _{ST} <1.0; P _{LT} <0.65; dc<3.3%; d _{max} <6%				

General Characteristics (cont.)

Specifications apply over all line and load conditions, 50 Hz and 60 Hz line frequencies, TC = 25°C, unless otherwise noted. **Boldface specifications apply over the temperature range of the specified Product Grade.**

Attribute	Symbol	Conditions / Notes	Min	Typ	Max	Unit
EMI/EMC Compliance (cont.)						
EN61000-4-4: 2004, Electrical Fast Transients		Level 3, Performance Criteria A				
EN61000-4-5: 2006, Surge Immunity		Level 3, Immunity Criteria A, external TMOV required, limit input transient to 750 V				
EN61000-4-6: 2009, Conducted RF Immunity		Level 2, 130 dBμV (3.0 V _{RMS})				
EN61000-4-8: 1993 + A1 2001, Power Frequency H-Field 10A/m, continuous field		Level 3, Performance Criteria A				
EN61000-4-11: 2004, Voltage Dips & Interrupts		Class 2, Performance Criteria A Dips, Performance Criteria B Interrupts				

Product Outline Drawing and Recommended PCB Footprint

Module Outline

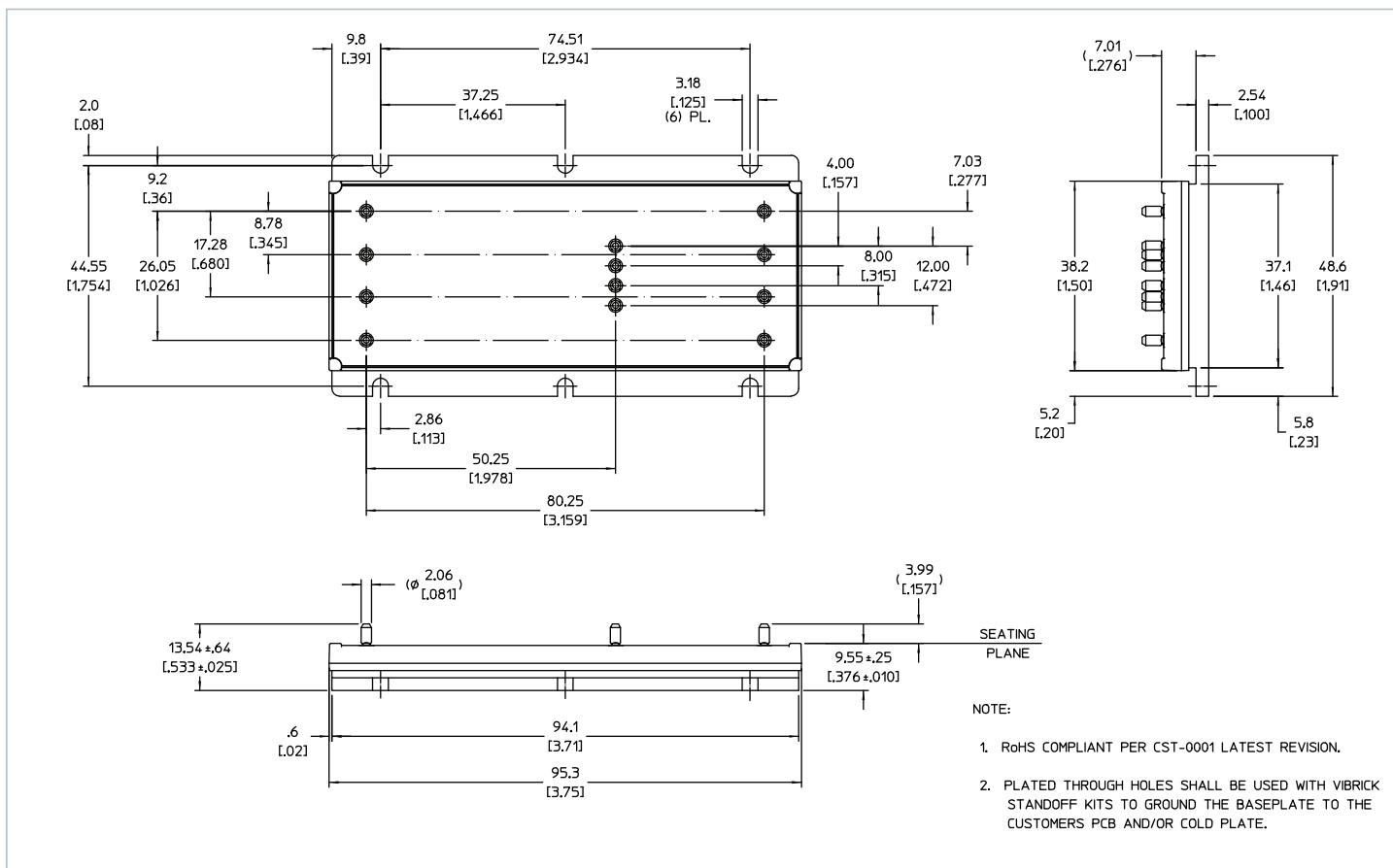


Figure 24 — Product outline drawing;
 Product outline drawings are available in .pdf and .dxf formats.
 3D mechanical models are available in .pdf and .step formats.
 See http://www.vicorpower.com/cms/home/technical_resources/Mechanical_Drawings/Modules for more details.

Product Outline Drawing and Recommended PCB Footprint (cont.)

Mounting Specifications

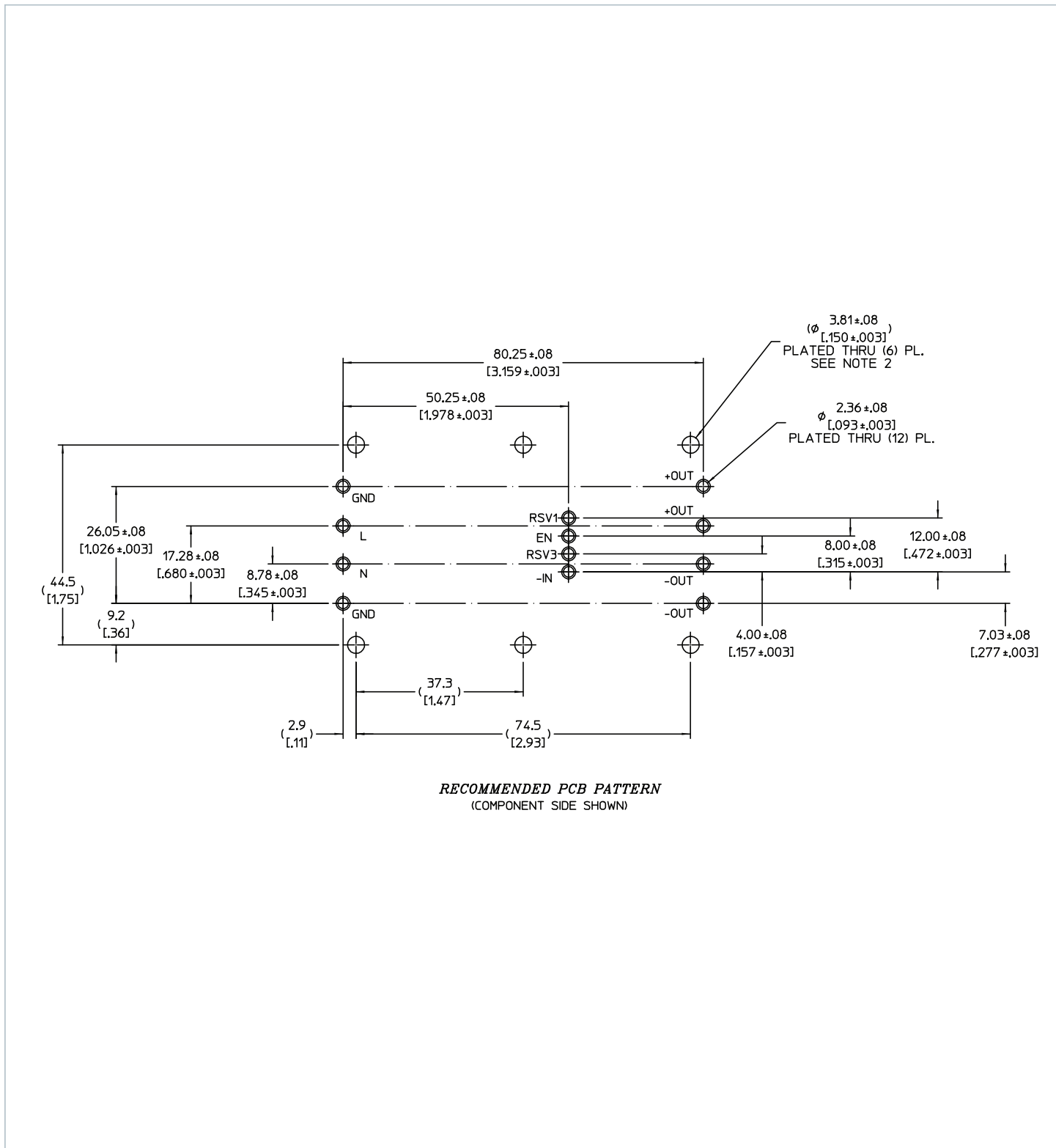


Figure 25— Recommended PCB pattern;
 Product outline drawings are available in .pdf and .dxf formats.
 3D mechanical models are available in .pdf and .step formats.
 See http://www.vicorpower.com/cms/home/technical_resources/Mechanical_Drawings/Modules for more details.

Product Details and Design Guidelines

Building Blocks and System Designs

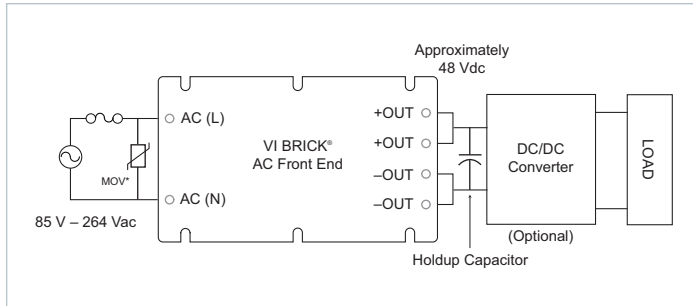


Figure 26 – 300 W Universal AC-to-DC Supply

The VI BRICK® AC Front End is a high efficiency AC-to-DC converter, operating from a universal AC input to generate an isolated SELV 48 VDC output bus with power factor correction. It is the key component of an AC-to-DC power supply system such as the one shown in Figure 26 above.

The input to the VI BRICK AC Front End is a sinusoidal AC source with a power factor maintained by the module with harmonics conforming to IEC 61000-3-2. Internal filtering enables compliance with the standards relevant to the application (Surge, EMI, etc.). See EMI/EMC Compliance standards on page 13.

The module uses secondary-side energy storage (at the SELV 48 V bus) and optional PRM® regulators to maintain output hold up through line dropouts and brownouts. Downstream regulators also provide tighter voltage regulation, if required.

The FE175D480C033FP-00 is designed for standalone operation; however, it may be part of a system that is paralleled by downstream DC-DC converters. Contact Vicor Sales or refer to our website, www.vicorpower.com, regarding new models that can be paralleled directly for higher power applications.

Traditional PFC Topology

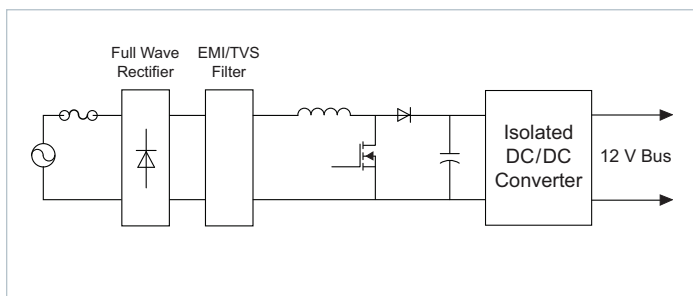


Figure 27 – Traditional PFC AC-to-DC supply

To cope with input voltages across worldwide AC mains (85 – 264 Vac), traditional AC-DC power supplies (Figure 27) use two power conversion stages: 1) a PFC boost stage to step up from a rectified input as low as 85 Vac to ~380 Vdc; and 2) a DC-DC down converter from 380 Vdc to a 12 V bus.

The efficiency of the boost stage and of traditional power supplies is significantly compromised operating from worldwide AC lines as low as 85 Vac.

Adaptive Cell™ Topology

With its single stage Adaptive Cell™ topology, the VI BRICK AC Front

End enables consistently high efficiency conversion from worldwide AC mains to a 48 V bus and efficient secondary-side power distribution.

Power Factor Correction

The module provides power factor correction over worldwide AC mains. For most static loads, PFC approaches unity, see Figure 19. Load transients that approach the line frequency should be filtered or avoided as these may reduce PFC.

Input Fuse Selection

VI BRICK products are not internally fused in order to provide flexibility in configuring power systems. Input line fusing is recommended at system level, in order to provide thermal protection in case of catastrophic failure. The fuse shall be selected by closely matching system requirements with the following characteristics:

- Recommended fuse: 5 A, 216 Series Littelfuse
- Current rating
(usually greater than the VI BRICK AC Front End maximum current)
- Maximum voltage rating
(usually greater than the maximum possible input voltage)
- Ambient temperature
- Breaking capacity per application requirements
- Nominal melting I²t

Fault Handling

Input Undervoltage (UV) Fault Protection

The VI BRICK AC Front End's input voltage (proportional to V_{IN-B} as shown on page 6) is monitored by the micro-controller to detect an input under voltage condition. When the input voltage is less than the $V_{IN-UVLO-}$, a fault is detected, the fault latch and reset logic disables the modulator, the modulator stops powertrain switching, and the output voltage of the unit falls. After a time t_{UVLO} , the unit shuts down. Faults lasting less than t_{UVLO} may not be detected. Such a fault does not go through an auto-restart cycle. Once the input voltage rises above $V_{IN-UVLO+}$, the unit recovers from the input UV fault, the powertrain resumes normal switching after a time t_{ON} and the output voltage of the unit reaches the set-point voltage within a time t_{SS} .

Overcurrent (OC) Fault Protection

The unit's output current, determined by V_{EAO} , V_{IN-B} and the primary-side sensed output voltage, (as shown on page 6) is monitored by the microcontroller to detect an output OC condition. If the output current exceeds its current limit, a fault is detected, the reset logic disables the modulator, the modulator stops powertrain switching, and the output voltage of the module falls after a time t_{OC} . As long as the fault persists, the module goes through an auto-restart cycle with off time equal to $t_{OFF} + t_{ON}$ and on time equal to t_{OC} . Faults shorter than a time t_{OC} may not be detected. Once the fault is cleared, the module follows its normal start up sequence after a time t_{OFF} .

Short Circuit (SC) Fault Protection

The microcontroller determines a short circuit on the output of the unit by measuring its primary sensed output voltage and EAO (as shown on page 6). Most commonly, a drop in the primary-sensed output voltage triggers a short circuit event. The module responds to a short circuit event within a time t_{SC} . The module then goes through an auto restart cycle, with an off time equal to $t_{OFF} + t_{ON}$ and an on time equal to t_{SC} , for as long as the short circuit fault condition persists. Once the fault is cleared, the unit follows its normal start up sequence after a time t_{OFF} . Faults shorter than a time t_{SC} may not be detected.

Product Details and Design Guidelines (cont.)

Temperature Fault Protection

The microcontroller monitors the temperature within the VI BRICK® AC Front End. If this temperature exceeds T_{J-OTP+} , an overtemperature fault is detected, the reset logic block disables the modulator, the modulator stops the powertrain switching and the output voltage of the VI BRICK AC Front End falls. Once the case temperature falls below $T_{CASE-OTP-}$, after a time greater than or equal to t_{OFF} , the converter recovers and undergoes a normal restart. For the C-grade version of the converter, this temperature is 75°C. Faults shorter than a time t_{OTP} may not be detected. If the temperature falls below $T_{CASE-UTP-}$, an undertemperature fault is detected, the reset logic disables the modulator, the modulator stops powertrain switching and the output voltage of the unit falls. Once the case temperature rises above $T_{CASE-UTP+}$, after a time greater than or equal to t_{OFF} , the unit recovers and undergoes a normal restart.

Output Overvoltage Protection (OVP)

The microcontroller monitors the primary sensed output voltage (as shown on page 6) to detect output OVP. If the primary sensed output voltage exceeds $V_{OUT-OVLO+}$, a fault is latched, the logic disables the modulator, the modulator stops powertrain switching, and the output voltage of the module falls after a time t_{SOVP} . Faults shorter than a time t_{SOVP} may not be detected. This type of fault is a latched fault and requires that 1) the EN pin be toggled or 2) the input power be recycled to recover from the fault.

Hold-up Capacitance

The VI BRICK AC Front End uses secondary-side energy storage (at the SELV 48 V bus) and optional PRM® regulators to maintain output hold up through line dropouts and brownouts. The module's output bulk capacitance can be sized to achieve the required hold up functionality.

Hold-up time depends upon the output power drawn from the VI BRICK AC Front End based AC-to-DC front end and the input voltage range of downstream DC-to-DC converters.

The following formula can be used to calculate hold-up capacitance for a system comprised of VI BRICK AC Front End and a PRM regulator:

$$C = 2 * P_{OUT} * (0.005 + t_d) / (V_2^2 - V_1^2)$$

where:

- C VI BRICK AC Front End's output bulk capacitance in farads
- t_d Hold-up time in seconds
- P_{OUT} VI BRICK AC Front End's output power in watts
- V_2 Output voltage of VI BRICK AC Front End's converter in volts
- V_1 PRM™ regulator undervoltage turn off (volts)
- OR-
- P_{OUT} / I_{OUT-PK} , whichever is greater.

Output Filtering

The VI BRICK AC Front End module requires an output bulk capacitor in the range of 6,000 μF to 12,000 μF for proper operation of the PFC front-end.

The output voltage has the following two components of voltage ripple:

- 1) Line frequency voltage ripple: $2 * f_{LINE}$ Hz component
- 2) Switching frequency voltage ripple: 1 MHz module switching frequency component

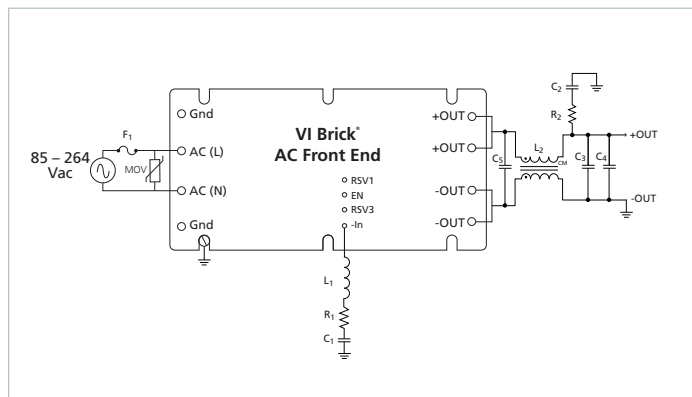


Figure 28 – Typical Application for EN55022 Class B EMI

Where, in the schematic:

- C1 2.2nF (Murata GA355DR7GF222KW01L)
- C2 4.7nF (Murata GA355DR7GF472KW01L)
- C3 3.3µF (TDK C4532X7R1H335MT)
- C4 6800uF 63V (Panasonic UVR1J682MRD)
- C5 100uF 63V (Nichicon UVY1J101MPD)
- F1 5A, 216 Series Littlefuse
- L1 15µH (TDK MLF2012C150KT)
- L2 600µH (Vicor 37052-601)
- MOV 300V, 10KA, 20mm dia (Littlefuse TMOV20RP300E)
- R1 6.8Ω
- R2 2.2Ω

Line Frequency Filtering

Output line frequency ripple depends upon output bulk capacitance. Output bulk capacitor values should be calculated based on line frequency voltage ripple. High-grade electrolytic capacitors with adequate ripple current ratings, low ESR and a minimum voltage rating of 63 V are recommended.

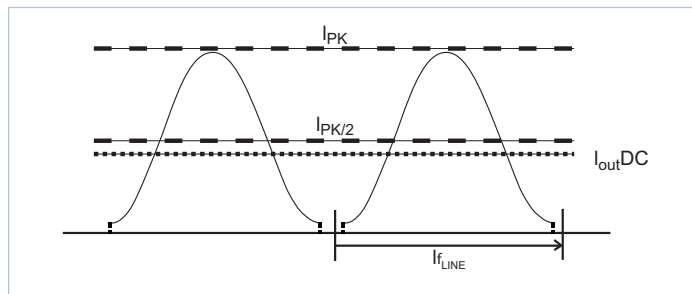


Figure 29 – Output current waveform

Product Details and Design Guidelines (cont.)

Based on the output current waveform, as seen in Figure 29, the following formula can be used to determine peak-to-peak line frequency output voltage ripple:

$$V_{ppl} \cong 0.2 * P_{OUT} / (V_{OUT} * f_{LINE} * C)$$

where:

V_{ppl}	Output voltage ripple Peak-to-peak line frequency
P_{OUT}	Average output power
V_{OUT}	Output voltage set point, nominally 48 V
f_{LINE}	Frequency of line voltage
C	Output bulk capacitance
I_{DC}	Maximum average output current
I_{PK}	Peak-to-peak line frequency output current ripple

In certain applications, the choice of bulk capacitance may be determined by hold-up requirements and low frequency output voltage filtering requirements. Such applications may use the greater capacitance value determined from these requirements. The ripple current rating for the bulk capacitors can be determined from the following equation:

$$I_{ripple} \cong 0.8 * P_{OUT} / V_{OUT}$$

Switching Frequency Filtering

Some applications require the output filtering shown in figure 28 to meet radiated emissions limits. In such a situation, the output switching ripple shown in figure 6 should be expected at the output of the filter. In cases where other means are used to control radiated emissions, and more ripple can be tolerated, the output filter can be simplified by removal of the common mode inductor, and C5, which is used to reduce the Q of the LC resonant tank.

Output switching frequency voltage ripple is the function of the output bypass ceramic capacitor. Output bypass ceramic capacitor values should be calculated based on switching frequency voltage ripple. Normally bypass capacitors with low ESR are used with a sufficient voltage rating.

Output bypass ceramic capacitor value for allowable peak-to-peak switching frequency voltage ripple can be determined by:

$$C_3 = Q_{TOT} / (V_{OUT-PP-HF} - C_{OUT-INT})$$

where:

$V_{OUT-PP-HF}$	Allowable peak-to-peak output switching frequency voltage ripple in volts
Q_{TOT}	The total output charge per switching cycle at full load, maximum 13.5 μ C
C_{OUT_INT}	The module internal effective capacitance
C_3	Required output bypass ceramic capacitor

EMI Filtering and Transient Voltage Suppression

EMI Filtering

The VI BRICK AC® Front End with PFC is designed such that it will comply with EN55022 Class B for Conducted Emissions with the filter connected across -IN and GND as shown in Figure 28. The emissions spectrum is shown in Figures 13-16. If one of the outputs is connected to earth ground, a small (single turn) output common mode choke is also required.

EMI performance is subject to a wide variety of external influences such as PCB construction, circuit layout etc. As such, external components in addition to those listed herein may be required in specific instances to gain full compliance to the standards specified.

Transient Voltage Suppression

The VI Brick AC Front End contains line transient suppression circuitry to meet specifications for surge (i.e. EN61000-4-5) and fast transient conditions (i.e. EN61000-4-4 fast transient/"burst").

Thermal Design

Thermal management of internally dissipated heat should maximize heat removed from the baseplate surface, since the baseplate represents the lowest aggregate thermal impedance to internal components. The baseplate temperature should be maintained below 100°C. Cooling of the system PCB should be provided to keep the leads below 100°C, and to control maximum PCB temperatures in the area of the module.

Powering a Constant Power Load

When the output voltage of the VI BRICK AC Front End module is applied to the input of the PRM® regulator, the regulator turns on and acts as a constant-power load. When the module's output voltage reaches the input undervoltage turn on of the regulator, the regulator will attempt to start. However, the current demand of the PRM® regulator at the undervoltage turn-on point and the hold-up capacitor charging current may force the VI BRICK AC Front End into current limit. In this case, the unit may shut down and restart repeatedly. In order to prevent this multiple restart scenario, it is necessary to delay enabling a constant-power load when powered up by the upstream AC to 48 V front end until after the output set point of the VI BRICK AC Front End is reached.

This can be achieved by

- 1) keeping the downstream constant-power load off during power up sequence and
- 2) turning the downstream constant-power load on after the output voltage of the module reaches 48 V steady state.

After the initial startup, the output of the VI BRICK AC Front End can be allowed to fall to 30 V during a line dropout at full load. In this case, the circuit should not disable the PRM regulator if the input voltage falls after it is turned on; therefore, some form of hysteresis or latching is needed on the enable signal for the constant power load. The output capacitance of the VI BRICK AC Front End should also be sized appropriately for a constant power load to prevent collapse of the output voltage of the module during line dropout (see Hold up Capacitance on page 17). A constant-power load can be turned off after completion of the required hold up time during the power-down sequence or can be allowed to turn off when it reaches its own undervoltage shutdown point.

Product Details and Design Guidelines (cont.)

The timing diagram in Figure 30 shows the output voltage of the VI BRICK® AC Front End module and the PRM® PC pin voltage and output voltage of the PRM regulator for the power up and power down sequence. It is recommended to keep the time delay approximately 10 to 20 ms.

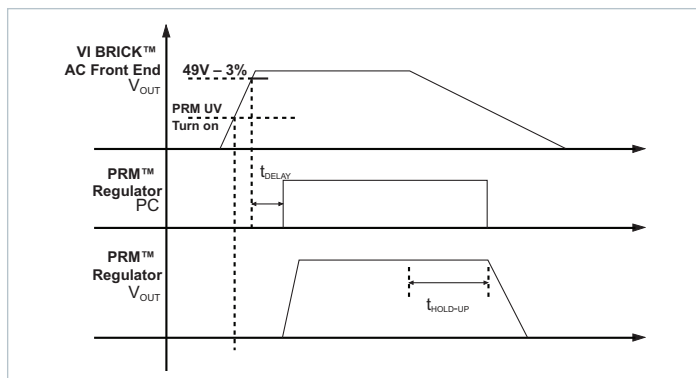


Figure 30 – PRM Enable Hold off Waveforms

Special care should be taken when enabling the constant-power load near the auto-ranger threshold, especially with an inductive source upstream of the VI BRICK AC Front End. A load current spike may cause a large input voltage transient, resulting in a range change which could temporarily reduce the available power (see Adaptive Cell™ Topology below).

Adaptive Cell™ Topology

The Adaptive Cell topology utilizes magnetically coupled “top” and “bottom” primary cells that are adaptively configured in series or parallel by a configuration controller comprised of an array of switches. A microcontroller monitors operating conditions and defines the configuration of the top and bottom cells through a range control signal.

A comparator inside the microcontroller monitors the line voltage and compares it to an internal voltage reference.

If the input voltage of the VI BRICK AC Front End crosses above the positive going cell reconfiguration threshold voltage, the output of the comparator transitions, causing switches S_1 and S_2 to open and switch S_3 to close (see Functional Block Diagram on page 6). With the top cell and bottom cell configured in series, the unit operates in “high” range and input capacitances C_{IN-T} and C_{IN-B} are in series.

If the peak of input voltage of the unit falls below the negative-going range threshold voltage for two line cycles, the cell configuration controller opens switch S_3 and closes switches S_1 and S_2 . With the top cell and bottom cells configured in parallel, the unit operates in “low” range and input capacitances C_{IN-T} and C_{IN-B} are in parallel.

Power processing is held off while transitioning between ranges and the output voltage of the unit may temporarily droop. External output hold up capacitance should be sized to support power delivery to the load during cell reconfiguration. The minimum specified external output capacitance of 6,000 μF is sufficient to provide adequate ride-through during cell reconfiguration for typical applications.

Vicor's comprehensive line of power solutions includes high density AC-DC and DC-DC modules and accessory components, fully configurable AC-DC and DC-DC power supplies, and complete custom power systems.

Information furnished by Vicor is believed to be accurate and reliable. However, no responsibility is assumed by Vicor for its use. Vicor makes no representations or warranties with respect to the accuracy or completeness of the contents of this publication. Vicor reserves the right to make changes to any products, specifications, and product descriptions at any time without notice. Information published by Vicor has been checked and is believed to be accurate at the time it was printed; however, Vicor assumes no responsibility for inaccuracies. Testing and other quality controls are used to the extent Vicor deems necessary to support Vicor's product warranty. Except where mandated by government requirements, testing of all parameters of each product is not necessarily performed.

Specifications are subject to change without notice.

Vicor's Standard Terms and Conditions

All sales are subject to Vicor's Standard Terms and Conditions of Sale, which are available on Vicor's webpage or upon request.

Product Warranty

In Vicor's standard terms and conditions of sale, Vicor warrants that its products are free from non-conformity to its Standard Specifications (the "Express Limited Warranty"). This warranty is extended only to the original Buyer for the period expiring two (2) years after the date of shipment and is not transferable.

UNLESS OTHERWISE EXPRESSLY STATED IN A WRITTEN SALES AGREEMENT SIGNED BY A DULY AUTHORIZED VICOR SIGNATORY, VICOR DISCLAIMS ALL REPRESENTATIONS, LIABILITIES, AND WARRANTIES OF ANY KIND (WHETHER ARISING BY IMPLICATION OR BY OPERATION OF LAW) WITH RESPECT TO THE PRODUCTS, INCLUDING, WITHOUT LIMITATION, ANY WARRANTIES OR REPRESENTATIONS AS TO MERCHANTABILITY, FITNESS FOR PARTICULAR PURPOSE, INFRINGEMENT OF ANY PATENT, COPYRIGHT, OR OTHER INTELLECTUAL PROPERTY RIGHT, OR ANY OTHER MATTER.

This warranty does not extend to products subjected to misuse, accident, or improper application, maintenance, or storage. Vicor shall not be liable for collateral or consequential damage. Vicor disclaims any and all liability arising out of the application or use of any product or circuit and assumes no liability for applications assistance or buyer product design. Buyers are responsible for their products and applications using Vicor products and components. Prior to using or distributing any products that include Vicor components, buyers should provide adequate design, testing and operating safeguards.

Vicor will repair or replace defective products in accordance with its own best judgment. For service under this warranty, the buyer must contact Vicor to obtain a Return Material Authorization (RMA) number and shipping instructions. Products returned without prior authorization will be returned to the buyer. The buyer will pay all charges incurred in returning the product to the factory. Vicor will pay all reshipment charges if the product was defective within the terms of this warranty.

Life Support Policy

VICOR'S PRODUCTS ARE NOT AUTHORIZED FOR USE AS CRITICAL COMPONENTS IN LIFE SUPPORT DEVICES OR SYSTEMS WITHOUT THE EXPRESS PRIOR WRITTEN APPROVAL OF THE CHIEF EXECUTIVE OFFICER AND GENERAL COUNSEL OF VICOR CORPORATION. As used herein, life support devices or systems are devices which (a) are intended for surgical implant into the body, or (b) support or sustain life and whose failure to perform when properly used in accordance with instructions for use provided in the labeling can be reasonably expected to result in a significant injury to the user. A critical component is any component in a life support device or system whose failure to perform can be reasonably expected to cause the failure of the life support device or system or to affect its safety or effectiveness. Per Vicor Terms and Conditions of Sale, the user of Vicor products and components in life support applications assumes all risks of such use and indemnifies Vicor against all liability and damages.

Intellectual Property Notice

Vicor and its subsidiaries own Intellectual Property (including issued U.S. and Foreign Patents and pending patent applications) relating to the products described in this data sheet. No license, whether express, implied, or arising by estoppel or otherwise, to any intellectual property rights is granted by this document. Interested parties should contact Vicor's Intellectual Property Department.

The products described on this data sheet are protected by the following U.S. Patents Numbers: 5,945,130; 6,403,009; 6,710,257; 6,911,848; 6,930,893; 6,934,166; 6,940,013; 6,969,909; 7,038,917; 7,166,898; 7,187,263; 7,361,844; D496,906; D505,114; D506,438; D509,472; and for use under 6,975,098 and 6,984,965.

Vicor Corporation

25 Frontage Road
Andover, MA, USA 01810
Tel: 800-735-6200
Fax: 978-475-6715

email

Customer Service: custserv@vicorpower.com
Technical Support: apps@vicorpower.com