



Chipsmall Limited consists of a professional team with an average of over 10 year of expertise in the distribution of electronic components. Based in Hongkong, we have already established firm and mutual-benefit business relationships with customers from,Europe,America and south Asia,supplying obsolete and hard-to-find components to meet their specific needs.

With the principle of “Quality Parts,Customers Priority,Honest Operation,and Considerate Service”,our business mainly focus on the distribution of electronic components. Line cards we deal with include Microchip,ALPS,ROHM,Xilinx,Pulse,ON,Everlight and Freescale. Main products comprise IC,Modules,Potentiometer,IC Socket,Relay,Connector.Our parts cover such applications as commercial,industrial, and automotives areas.

We are looking forward to setting up business relationship with you and hope to provide you with the best service and solution. Let us make a better world for our industry!



Contact us

Tel: +86-755-8981 8866 Fax: +86-755-8427 6832

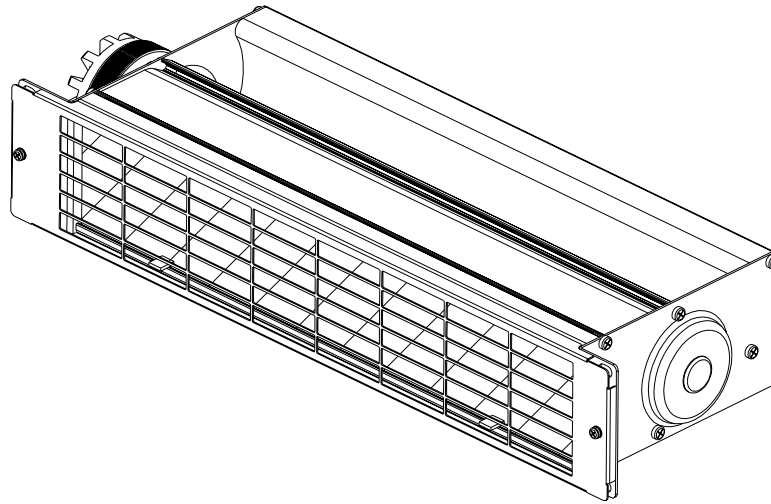
Email & Skype: info@chipsmall.com Web: www.chipsmall.com

Address: A1208, Overseas Decoration Building, #122 Zhenhua RD., Futian, Shenzhen, China



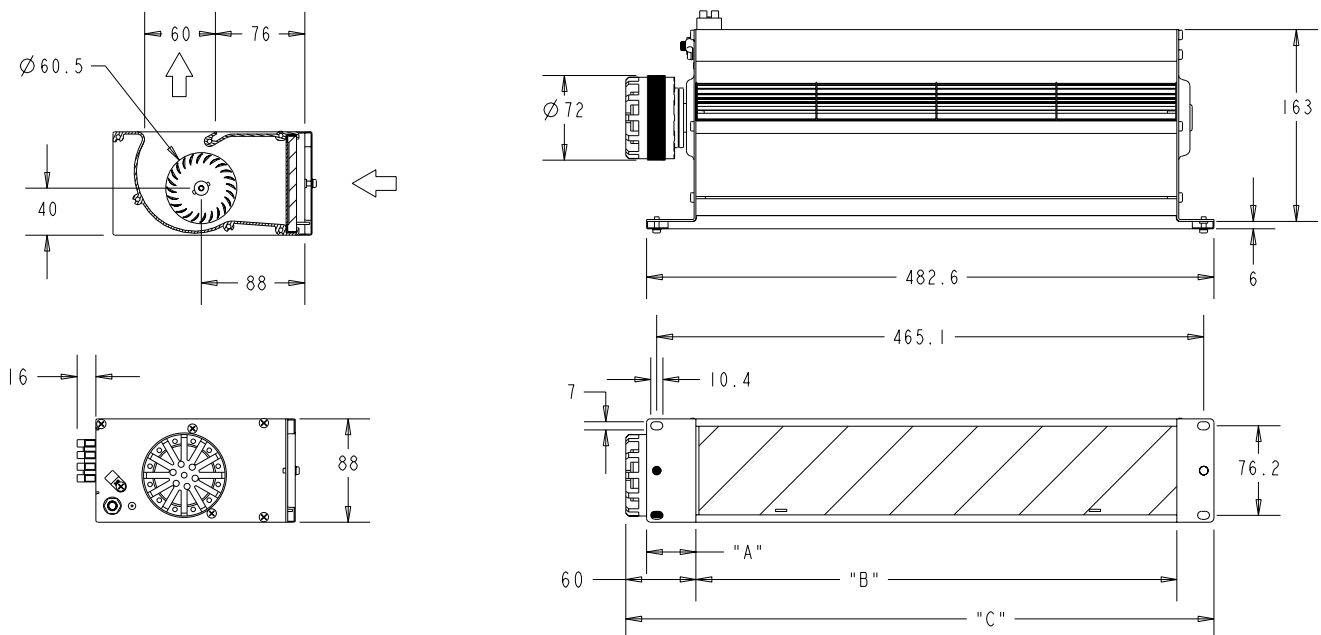
FE1Q-xxx-060-xx Series Crossflow Blower

380 - 409mm x \varnothing 60mm Impeller



NOTE: FE1Q-115-060-01 SHOWN

PART NUMBER	VOLTAGE	A	B	C	GRILL AND FILTER STATUS
FE1Q-115-060-01	115v	42	409	500	WITH GRILL AND FILTER INSTALLED
FE1Q-115-060-02	115v	77	380	471	WITH GRILL AND FILTER INSTALLED
FE1Q-115-060-03	115v	77	380	471	GRILL AND FILTER INCLUDED BUT NOT INSTALLED
FE1Q-230-060-01	230v	42	409	500	FILTER INSTALLED, GRILL NOT INCLUDED
FE1Q-230-060-02	230v	42	409	500	WITH GRILL AND FILTER INSTALLED
FE1Q-230-060-03	230v	77	380	471	GRILL AND FILTER NOT INCLUDED
FE1Q-230-060-04	230v	77	380	471	WITH GRILL AND FILTER INSTALLED
FE1Q-230-060-05	230v	77	380	471	GRILL AND FILTER INCLUDED BUT NOT INSTALLED
FE1Q-024-060-01	24v	77	380	471	WITH GRILL AND FILTER INSTALLED
ACCESSORIES					
HX0F-000-060-01	-	-	-	-	GRILL & FASTENERS FOR 380mm LENGTH CROSSFLOW BLOWER
HX0F-000-060-02	-	-	-	-	GRILL & FASTENERS FOR 409mm LENGTH CROSSFLOW BLOWER



NOTE: FRONT GRILL REMOVED IN THIS VIEW FOR CLARITY, ALL DIMENSIONS ARE FOR REFERENCE ONLY.