



Chipsmall Limited consists of a professional team with an average of over 10 year of expertise in the distribution of electronic components. Based in Hongkong, we have already established firm and mutual-benefit business relationships with customers from,Europe,America and south Asia,supplying obsolete and hard-to-find components to meet their specific needs.

With the principle of "Quality Parts,Customers Priority,Honest Operation,and Considerate Service",our business mainly focus on the distribution of electronic components. Line cards we deal with include Microchip,ALPS,ROHM,Xilinx,Pulse,ON,Everlight and Freescale. Main products comprise IC,Modules,Potentiometer,IC Socket,Relay,Connector.Our parts cover such applications as commercial,industrial, and automotives areas.

We are looking forward to setting up business relationship with you and hope to provide you with the best service and solution. Let us make a better world for our industry!



Contact us

Tel: +86-755-8981 8866 Fax: +86-755-8427 6832

Email & Skype: info@chipsmall.com Web: www.chipsmall.com

Address: A1208, Overseas Decoration Building, #122 Zhenhua RD., Futian, Shenzhen, China



FEB207-021 User Guide
FAN2103
TinyBuck™ Integrated Synchronous Buck
Evaluation Board

Featured Fairchild Product: FAN2103

www.fairchildsemi.com/FEBsupport

Table of Contents

1. Overview.....	3
2. Board Configuration	3
3. Power-Up Sequence.....	3
4. Board Features	4
4.1. Switching Waveform	4
4.2. Enable / Inhibit.....	4
4.3. Current Limit	4
4.4. Auto-Restart.....	4
4.5. Switching Frequency.....	4
4.6. Input Voltage.....	4
4.7. Output Voltage.....	5
4.8. Feedback Loop Response.....	5
4.9. Connections.....	5
5. Schematics	6
6. Bill of Materials	7
7. Assembly Diagram.....	8
8. PCB Layout.....	8

This guide supports the evaluation kit for the [FAN2103](#) TinyBuck™ Integrated Synchronous Buck. This guide should be used in conjunction with the FAN2103 datasheet, located at Fairchild's website (www.fairchildsemi.com).

1. Overview

This board provides 1.8V_{OUT} and 0-3A from 8-20V_{IN} at a 500KHz switching rate using low-cost ceramic output capacitors.

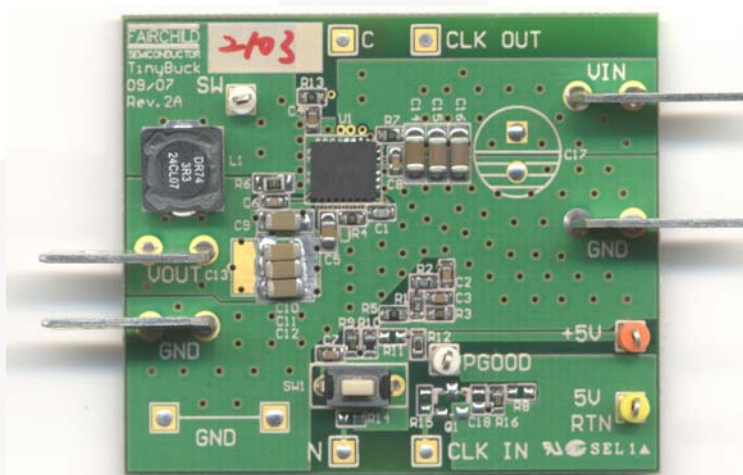


Figure 1. Evaluation Board and Required Connections

2. Board Configuration

- Output Voltage: 1.8V
- Output Current: 0-3A
- Input Voltage: 8-20V
- Frequency: 500KHz

3. Power-Up Sequence

1. Establish connections to test equipment as shown in Figure 1. Use suitable diameter wires and connectors to avoid excessive voltage drop or temperature rise.

Do not turn on power supplies until all the connections are complete.

2. Verify voltage sources have current limits adequately set to supply the load.
3. Apply V_{IN} before V_{CC} to avoid skipping the soft-start cycle.
4. Apply the desired load current.

This can be done at any time, including before power-up, but it is recommended to power-up the first time with 0A load to verify proper connections.

To power down, turn off the V_{CC} (5V) supply first.

4. Board Features

A ground strap is provided near the lower-left corner of the evaluation board to facilitate oscilloscope probe connections.

4.1. Switching Waveform

Connect an oscilloscope probe to test point marked SW to view the switching waveform. Since the MOSFETs are integrated, gate/drive waveforms cannot be viewed.

4.2. Enable / Inhibit

The momentary push-button switch S1 establishes a connection from EN to GND, inhibiting the FAN2103 when switching ceases and only standby current is consumed.

A new soft-start cycle commences upon release of S1.

4.3. Current Limit

The current limit threshold can be set lower by reducing R9. This feature is useful in applications where <3A is required, allowing the designer to select passive external components with lower current ratings.

With R9 open, the FAN2103 enforces a maximum default current limit in excess of 3A.

4.4. Auto-Restart

The board is configured for auto-restart with a delay (C7) that increases linearly with C7.

Refer to the datasheet for auto-restart or latch-off options.

4.5. Switching Frequency

Switching frequency is set by R10 (R_T). Frequency may be lowered to 200KHz or raised to >600KHz.

Large changes in frequency may warrant additional component value changes for the output filter and compensation network.

4.6. Input Voltage

The demo board is optimized to work with an 8V to 20V input voltage range. For operating between 3V to 8V, modifications to output filter, compensation network component values, and R7 need to be made.

4.7. Output Voltage

The output voltage is determined by the ratio of R1 and R4. For minor output voltage changes, adjust R4.

Larger V_{OUT} changes may impact output filter and compensation network component value selection.

4.8. Feedback Loop Response

R5 opens the feedback loop for closed-loop response measurement. Remove R5 and connect a network analyzer or injection transformer in its place.

4.9. Connections

Be clear about order of connections, notes or cautions, etc.

Include step-by-step, numbered instructions.

5. Schematics

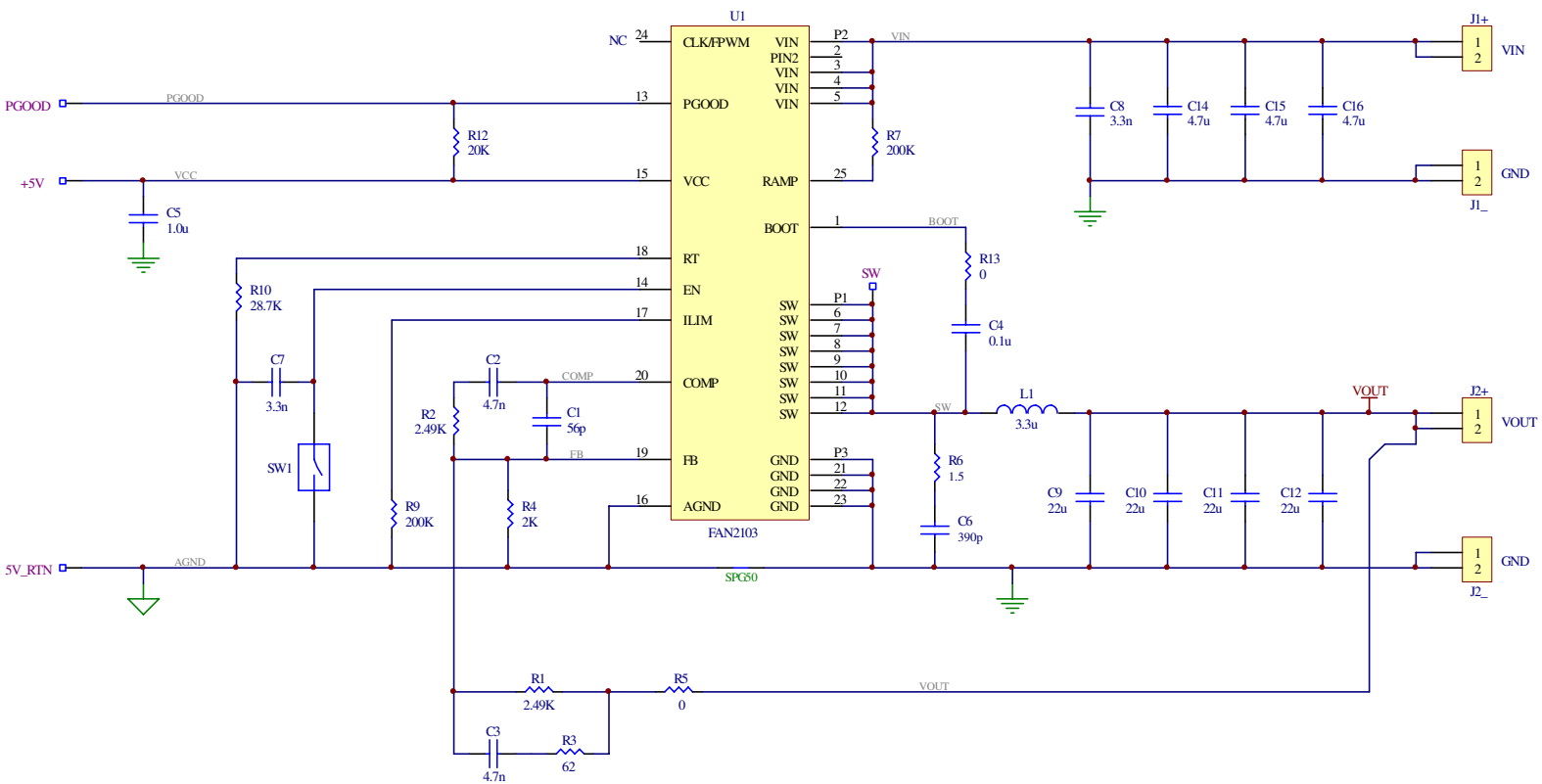


Figure 2. FAN2103 Evaluation Board Schematic

6. Bill of Materials

U1	1	IC, FAN2103, MLP5x6	Fairchild FAN2103M
L1	1	3.3 μ H, 5.4A, 18m Ω	Cooper DR74-3R3-R
R1, 2	2	2.49K, 1%, 0603	DigiKey P2.49K H
R3	1	62 Ω , 5%, 0603	DigiKey P62 G
R4	1	2.00K, 1%, 0603	DigiKey P2.00K H
R5, 13	3	0 Ω , 5%, 0603	DigiKey P0.0 G
R6	1	1.5 Ω , 5%, 0805	DigiKey P1.5 A
R7, 9	2	200K, 1%, 0603	DigiKey 200K H
R10	1	30.1K, 1%, 0603	DigiKey P30.1K H
R12	1	10K, 5%, 0603	DigiKey P10K G
C1	1	56pf, 50V, 5%, NPO, 0603	DigiKey PCC560ACV
C2, 3	2	4.7nf, 50V, 10%, X7R, 0603	DigiKey PCC1780
C7, 8	2	3.3nf, 50V, 10%, X7R, 0603	DigiKey PCC1778
C4	1	0.1 μ f, 16V, 10%, X7R, 0603	DigiKey PCC1762
C5	1	1.0 μ f, 10V, 10%, X5R, 0805	DigiKey PCC1807
C6	1	390pf, 50V, 10%, X7R, 0603	DigiKey PCC391BV
C9, 10, 11, 12	4	22 μ f, 6.3V, 20%, X5R, 1206	DigiKey PCC2242
C14, 15, 16	3	4.7 μ f, 25V, 20%, X5R, 1206	DigiKey PCC2241
J1+, J1-, J2+, J2-	4	Connector, QDM, 0.25", Right Angle	DigiKey 4966K
SW1	1	Switch, 1 pole, momentary push	DigiKey EG2513
+5V	1	Test Point, Red	DigiKey 5000K
5V_RTN	1	Test Point, Black	DigiKey 5001K
SW, PGOOD	2	Test Point, White	DigiKey 5002K
PCB	1	PCB, TINYBUCK_2A	
C18	5	No Load 0603	
R8,R11, R14, R15, R16, R17			
C13	1	No Load 7343	
C19	1	4.7 μ f, 25V, 20%, X5R, 1206	
C17	1	No Load 8x11	
Q1	1	No Load SOT23	
C, N, CLKIN, CLKOUT	4	No Load Test Point	

7. Assembly Diagram

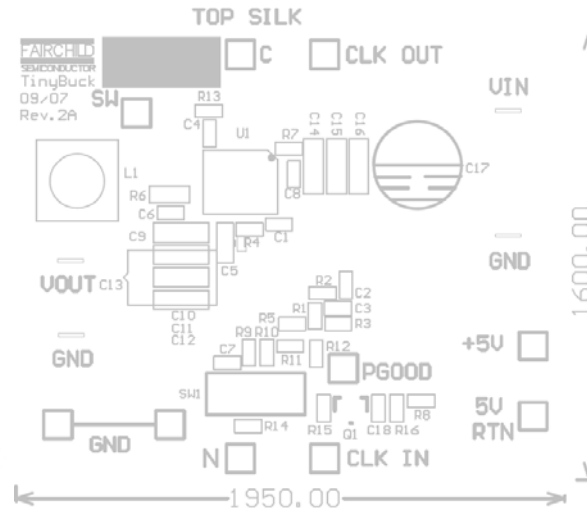


Figure 3. Assembly Diagram

8. PCB Layout

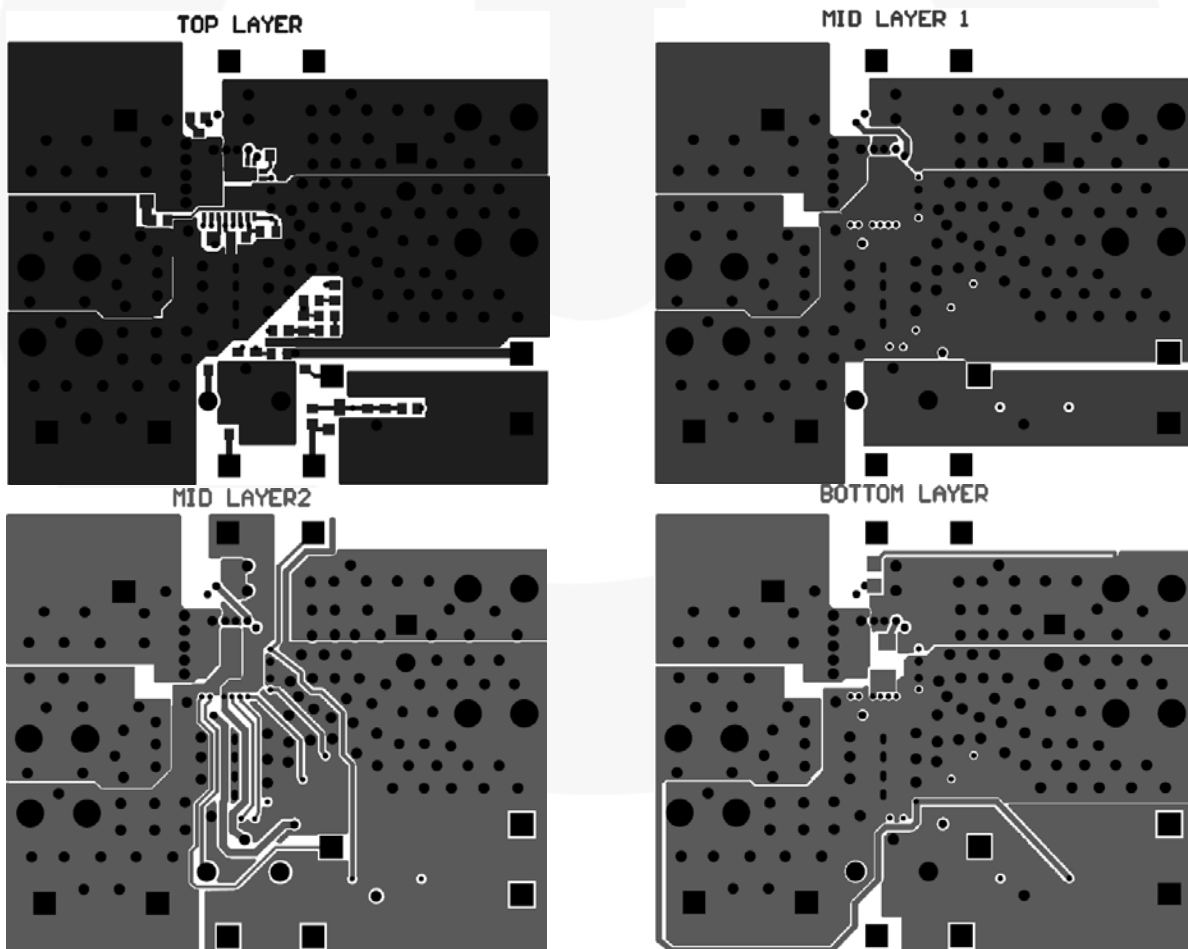







Figure 4. PCB Layout

TRADEMARKS

The following are registered and unregistered trademarks Fairchild Semiconductor owns or is authorized to use and is not intended to be an exhaustive list of all such trademarks.

ACEx®	FPS™	PDP SPM™	The Power Franchise®
Build it Now™	F-PFS™	Power-SPM™	
CorePLUS™	FRFET®	PowerTrench®	TinyBoost™
CorePOWER™	Global Power Resource™	Programmable Active Droop™	TinyBuck™
CROSSVOLT™	Green FPS™	QFET®	TinyLogic®
CTL™	Green FPS™ e-Series™	QS™	Quiet Series™
Current Transfer Logic™	GTO™	Quiet Series™	RapidConfigure™
EcoSPARK®	IntelliMAX™	RapidConfigure™	Saving our world, 1mW at a time™
EfficientMax™	ISOPLANAR™	SmartMax™	SMART START™
EZSWITCH™ *	MegaBuck™	SMART START™	SPM®
	MICROCOUPLER™	SPM®	STEALTH™
	MicroFET™	SPM®	SuperFET™
Fairchild®	MicroPak™	STEALTH™	SuperSOT™-3
Fairchild Semiconductor®	MillerDrive™	SuperFET™	SuperSOT™-6
FACT Quiet Series™	MotionMax™	SuperSOT™-3	SuperSOT™-8
FACT®	Motion-SPM™	SuperSOT™-6	SupreMOS™
FAST®	OPTOLOGIC®	SuperSOT™-8	SyncFET™
FastvCore™	OPTOPLANAR®	SupreMOS™	SYSTEM®
FlashWriter® *		SyncFET™	GENERAL
		SYSTEM®	
		GENERAL	
			
			UHC®
			Ultra FRFET™
			UniFET™
			VCX™
			VisualMax™

WARNING AND DISCLAIMER

Replace components on the Evaluation Board only with those parts shown on the parts list (or Bill of Materials) in the Users' Guide. Contact an authorized Fairchild representative with any questions.

The Evaluation board (or kit) is for demonstration purposes only and neither the Board nor this User's Guide constitute a sales contract or create any kind of warranty, whether express or implied, as to the applications or products involved. Fairchild warrants that its products meet Fairchild's published specifications, but does not guarantee that its products work in any specific application. Fairchild reserves the right to make changes without notice to any products described herein to improve reliability, function, or design. Either the applicable sales contract signed by Fairchild and Buyer or, if no contract exists, Fairchild's standard Terms and Conditions on the back of Fairchild invoices, govern the terms of sale of the products described herein.

DISCLAIMER

FAIRCHILD SEMICONDUCTOR RESERVES THE RIGHT TO MAKE CHANGES WITHOUT FURTHER NOTICE TO ANY PRODUCTS HEREIN TO IMPROVE RELIABILITY, FUNCTION, OR DESIGN. FAIRCHILD DOES NOT ASSUME ANY LIABILITY ARISING OUT OF THE APPLICATION OR USE OF ANY PRODUCT OR CIRCUIT DESCRIBED HEREIN; NEITHER DOES IT CONVEY ANY LICENSE UNDER ITS PATENT RIGHTS, NOR THE RIGHTS OF OTHERS.

LIFE SUPPORT POLICY

FAIRCHILD'S PRODUCTS ARE NOT AUTHORIZED FOR USE AS CRITICAL COMPONENTS IN LIFE SUPPORT DEVICES OR SYSTEMS WITHOUT THE EXPRESS WRITTEN APPROVAL OF THE PRESIDENT OF FAIRCHILD SEMICONDUCTOR CORPORATION.

As used herein:

1. Life support devices or systems are devices or systems which, (a) are intended for surgical implant into the body, or (b) support or sustain life, or (c) whose failure to perform when properly used in accordance with instructions for use provided in the labeling, can be reasonably expected to result in significant injury to the user.
2. A critical component is any component of a life support device or system whose failure to perform can be reasonably expected to cause the failure of the life support device or system, or to affect its safety or effectiveness.