



Chipsmall Limited consists of a professional team with an average of over 10 year of expertise in the distribution of electronic components. Based in Hongkong, we have already established firm and mutual-benefit business relationships with customers from,Europe,America and south Asia,supplying obsolete and hard-to-find components to meet their specific needs.

With the principle of “Quality Parts,Customers Priority,Honest Operation,and Considerate Service”,our business mainly focus on the distribution of electronic components. Line cards we deal with include Microchip,ALPS,ROHM,Xilinx,Pulse,ON,Everlight and Freescale. Main products comprise IC,Modules,Potentiometer,IC Socket,Relay,Connector.Our parts cover such applications as commercial,industrial, and automotives areas.

We are looking forward to setting up business relationship with you and hope to provide you with the best service and solution. Let us make a better world for our industry!



Contact us

Tel: +86-755-8981 8866 Fax: +86-755-8427 6832

Email & Skype: info@chipsmall.com Web: www.chipsmall.com

Address: A1208, Overseas Decoration Building, #122 Zhenhua RD., Futian, Shenzhen, China



**User Guide for
FEBFMT1030_MEMS01
Evaluation Board**

**Motion Tracking Module with MT Software
Suite**

**Featured Fairchild Products:
FEBFMT1030, FMT1030, FMT1020,
FMT1010**

*For technical support, please contact
[Fairchild Semiconductor](#)
or your local sales team
[Fairchild Sales Offices](#)*

Table of Contents

1. Introduction.....	3
1.1. Description	3
1.2. Features	3
1.3. Ordering Information	3
2. Photographs.....	4
3. Getting Started	5
3.1. Installing MT Software Suite	5
3.2. Displaying Data in MT Manager	6
3.3. Configuring the FMT with MT Manager	7
3.4. Other Functionality of MT Manager	8
3.5. Embedded Examples	8
3.6. Frames of Reference used in FMT	8
4. Package and Handling.....	10
4.1. Evaluation Kit	10
4.1. Pin Descriptions	13
4.2. Schematics.....	14
4.3. Physical Dimensions	16
4.4. Electrical Specifications	16
4.5. Absolute Maximum Ratings.....	17
5. Revision History	18

1. Introduction

This user guide describes the Evaluation Kit for the FMT1030. The FMT1030 Evaluation Kit is designed to support the evaluation of the FMT1000-series, in particular the FMT1030 Attitude and Heading Reference System.

1.1. Description

The FMT1000-series is a module outputting 3D orientation, 3D rate of turn, 3D acceleration and 3D magnetic field. It is specifically designed for industrial applications featuring vibration rejection, a robust sensor fusion algorithm and a high update rate. The FMT1000-series can be configured for any application.

The FMT1000-series Evaluation Kit is an excellent tool to start working with the FMT1000-series. It has a pre-mounted FMT1030 AHRS and comes with the extensive MT Software Suite and USB-cabling. The MT Software Suite is full-featured, with logging and visualization options, intuitive configuration windows and possibilities to export data for use in other programs. The Software Development Kit contains source code for communication and libraries for data processing.

The 24-pins header connects to all interfaces available on the FMT1000-series module. Connections with development platforms for Cortex-M processors of different brands can be made easy using the Fairchild examples on the mbed.org website.

Specifications of the FMT1000-series can be found in the FMT1000-series data sheet.



Figure 1. FEBFMT1030_MEMS01 Development Board

1.2. Features

- Easy to use Development Board
- Complete MT Software Suite
 - MT Manager Logging and Visualization GUI
 - Windows 7 and Linux
 - SDK for Windows, Linux
 - Source Code/Drivers (platform-independent)
 - Magnetic Field Mapper
- Drivers and Examples on ARM® mbed™
- Full Functionality
- Delivered with FMT1030 Mounted
- USB, RS232, UART, SPI, I²C Interfaces

1.3. Ordering Information

Part Number	Description	Packing Method
FEBFMT1030_MEMS01	Evaluation Kit for FMT1030 AHRS	Single unit

2. Photographs

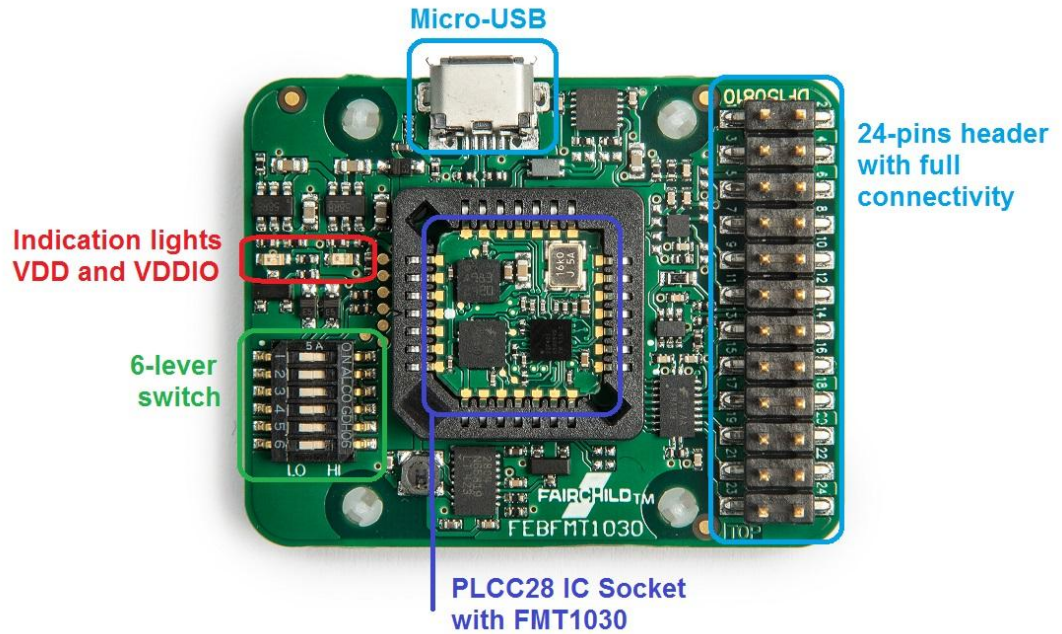


Figure 2. Top View of the FMT1000-Series Evaluation Board with the Various Components

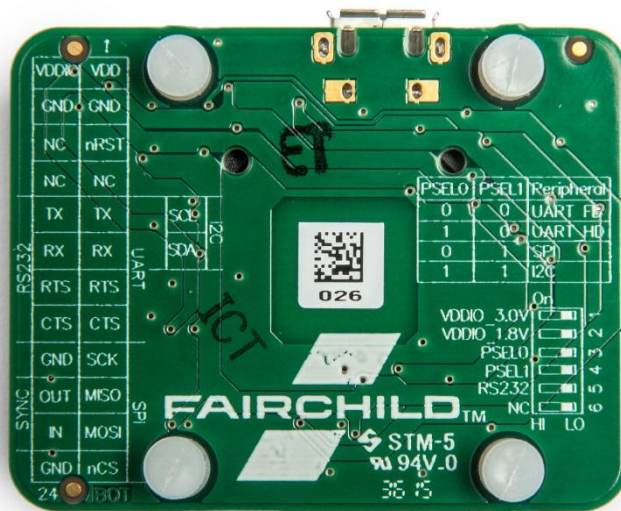


Figure 3. Bottom View of the FMT1000-Series Evaluation Board with the description of the header and switch. Text is displayed as see-through.

3. Getting Started

3.1. Installing MT Software Suite

The MT Software Suite is available on the Fairchild Motion Tracking website: <https://www.fairchildsemi.com/product-technology/mems-module/>.

The installation procedure consists of a set of several installers and starts with this screen:

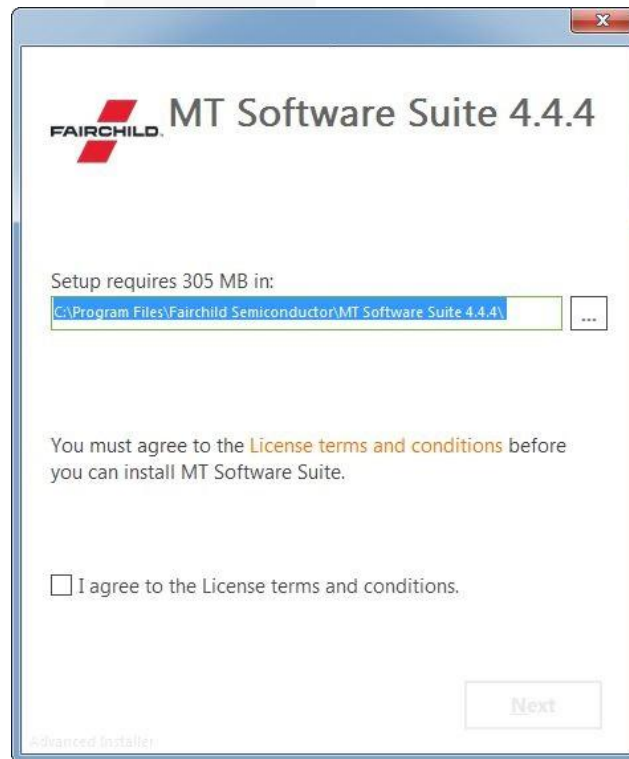



Figure 4. MT Software Suite Installer Home Screen

3.2. Displaying Data in MT Manager

When the FEBFMT1030 is connected (the FEBFMT1030 will automatically be installed), click the 3D View icon: . This shows the 3D box representation of the FMT.

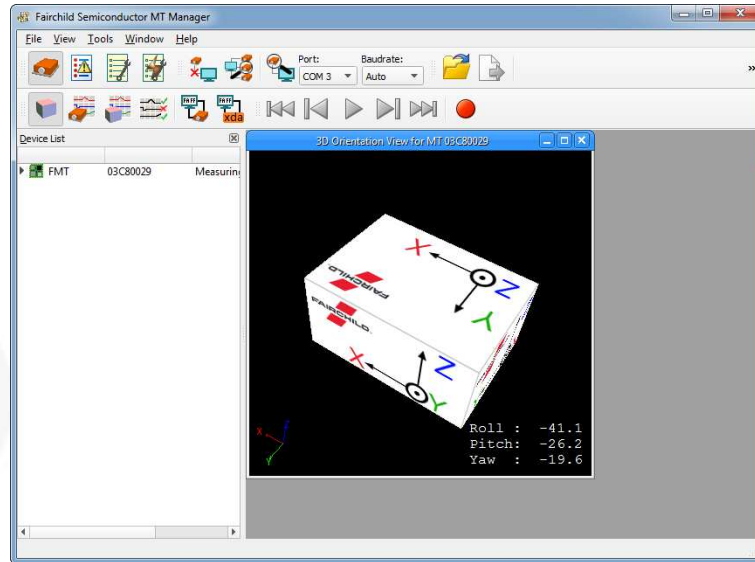



Figure 5. The 3D Box View of the MT Manager

The other visualizations can be opened using the windows toolbar: 

Refer to the MT Manager User Manual for more information on these graphs and their features. The MT Manager User Manual can be found via Help – Documentation

3.3. Configuring the FMT with MT Manager

MT Manager is an excellent tool to configure the FMT. Click the Output Configuration button: 

The following screen appears:

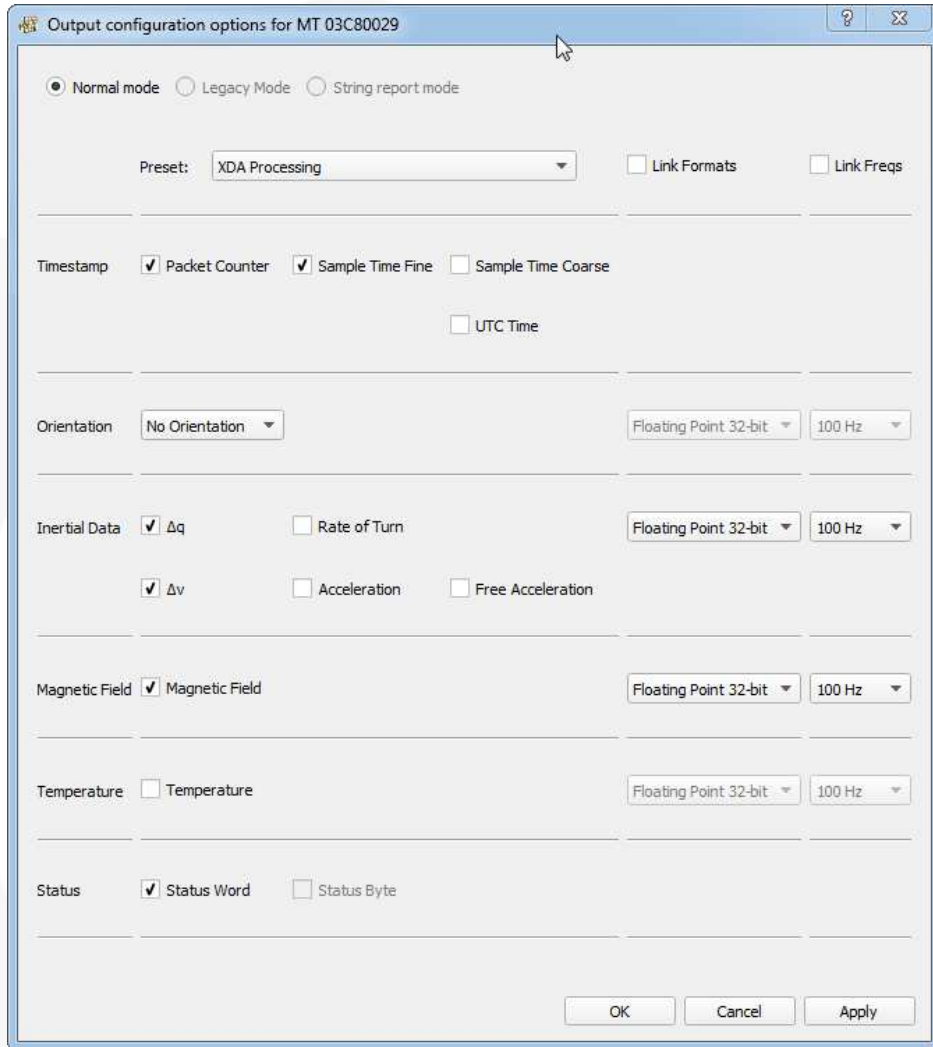


Figure 6. Output Configuration Window of a FEBFMT1030

By default, the output of the FMT is orientation only. Click “Inertial Data” ($\Delta q/\Delta v$ or Rate of Turn/Acceleration) and “Magnetic Field” to be able to show this data in MT Manager.

3.4. Other Functionality of MT Manager

With the MT Manager, it is possible to record data and export that data for use in other programs, configure synchronization options and to review the test and calibration report.

More information on the functions in MT Manager can be found in the MT Manager User Manual.

3.5. Embedded Examples

The FMT is designed for easy integration in embedded systems. To aid in development example code is provided for the ARM mbed platform. An example implementation of the Xbus Low Level Communication Protocol is provided as generic C99 compliant source code¹, while an ARM mbed specific application demonstrates the use of the Xbus library to communicate with a FEBFMT1030 Evaluation Board using UART, SPI or I²C communications.

The example code has been tested with the following ARM mbed compatible boards:

- ST Nucleo F302R8 – Cortex M4
- FreeScale FRDM-KL46Z – Cortex M0+
- NXP EA LPC 4088 – Cortex M4

The example code is available at <http://www.mbed.org/teams/Fairchild-Semiconductor>. Documentation on how-to-use is provided on the description page and in the code. Note that these examples are provided as is and are not supported by the Fairchild support team. The examples are licensed under the [Apache License version 2.0](#).

Several basic commands were used, it is easy to extend the program with commands from the Low-Level Communication Protocol (LLCP). This protocol is documented in detail in the MT Software Suite and in the Low-Level Communication Protocol Documentation.

3.6. Frames of Reference used in FMT

The FMT uses a right-handed coordinate system as the basis of the sensor of frame.

The following data is outputted in corresponding reference coordinate systems:

Table 1. Reference frame in FMT

Data	Symbol	Reference Coordinate System
Acceleration	a_x, a_y, a_z	Sensor-fixed
Rate of turn	$\omega_x, \omega_y, \omega_z$	Sensor-fixed
Magnetic Field	m_x, m_y, m_z	Sensor-fixed
Free Acceleration	a	Local Tangent Plane (LTP), default ENU
Velocity Increment	$\Delta v_x, \Delta v_y, \Delta v_z$	Local Tangent Plane (LTP), default ENU
Orientation Increment	$\Delta q_0, \Delta q_1, \Delta q_2, \Delta q_3$	Local Tangent Plane (LTP), default ENU
Orientation	Euler Angles, Quaternions or Rotation Matrix (DCM)	Local Tangent Plane (LTP), default ENU

¹ Xbus example code is not specific to ARM processors and should be compatible with other embedded architectures.

Local Tangent Plane (LTP) is a local linearization of the Ellipsoidal Coordinates (Latitude, Longitude, and Altitude) in the WGS-84 Ellipsoid.

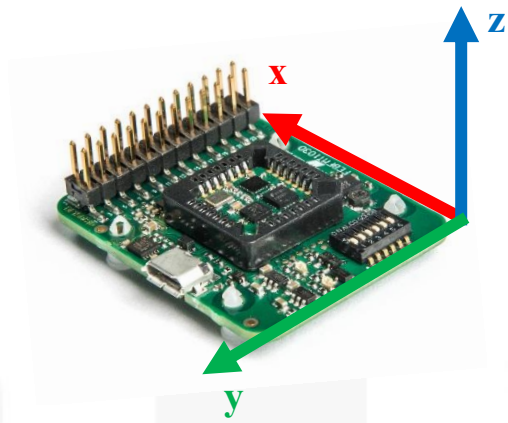


Figure 7. **Default Sensor Fixed System for the FMT**

It is straightforward to apply a rotation matrix to the FMT, so that the velocity and orientation increments, free acceleration and the orientation output are using that coordinate frame. The default reference coordinate system is East-North-Up (ENU) and the FMT1000-series has predefined outputs for North-East-Down (NED) and North-West-Up (NWU). Any arbitrary alignment can be entered. These orientation resets have effect on all outputs that are by default outputted with an ENU reference coordinate system.

4. Package and Handling

Note that this is a mechanical shock (g) sensitive device. Proper handling is required to prevent damage to the part.

Note that this is an ESD-sensitive device. Proper handling is required to prevent damage to the part.

Make sure not to apply force on the components of the MTi 1-series module, especially when placing the MTi 1-series module in an IC-socket.

4.1. Evaluation Kit

The FMT1000-series is available as an Evaluation Kit. An FMT1030 AHRS is mounted in a PLCC-28 socket and connects to USB, RS232, UART, I2C and SPI. The FEBFMT1030_MEMS01 comes with MT Manager, an intuitive GUI for Linux and Windows, example code and example applications.

The Development Board exposes the pins of the FMT on an easy to use 24-pins header allowing easy connectivity during prototyping.

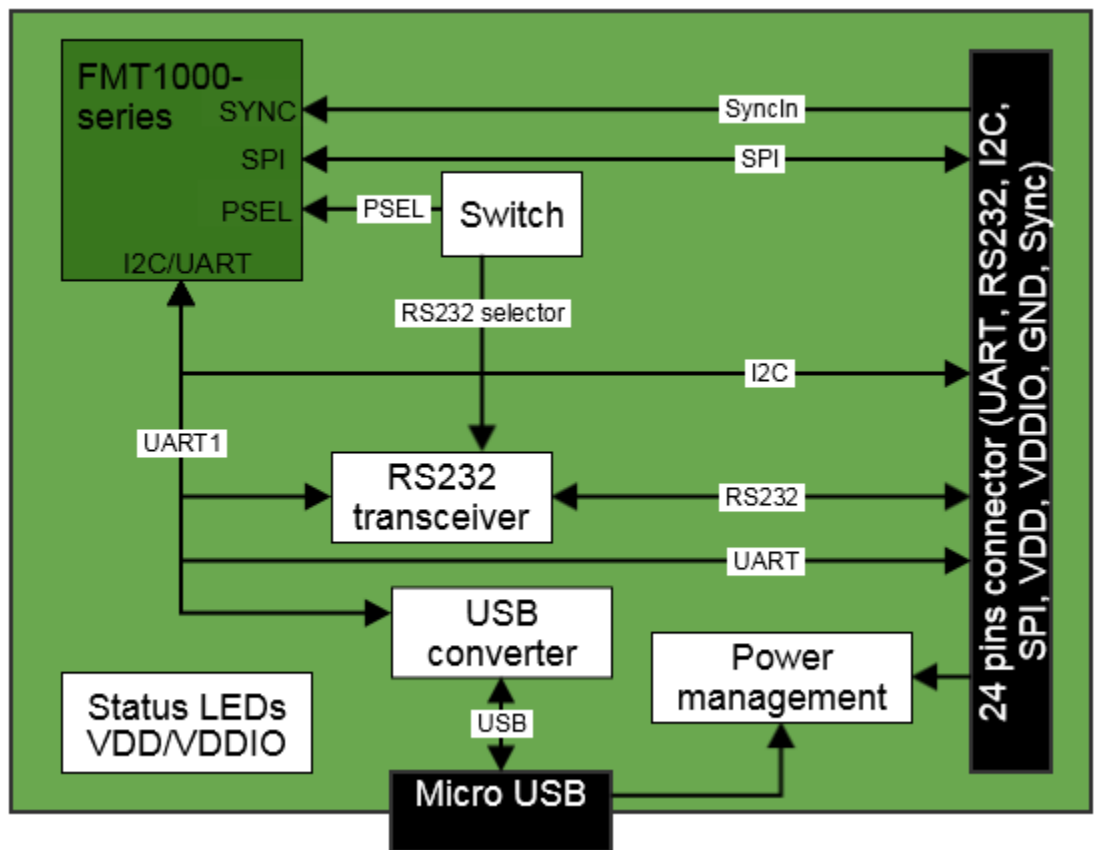


Figure 8. Layout of the FEBFMT1030_MEMS01 Evaluation Board

Connections and Peripheral Switch

The MTi Development Board has the following connections and switches:

- 24-pins dual row header with a pitch of 2.54 mm: Table 2 shows the connections. For information on the connections, refer to the pin description in Table 5. Refer to 0 how to enable the various interfaces on the Evaluation Board.

Table 2. Connections on 24-Pins Header

Pin#	Name	Pin#	Name
1	VDD	2	VDDIO
3	GND	4	GND
5	nRST	6	NC
7	NC	8	NC
9	UART TX or I2C SCL	10	RS232-TX
11	UART RX or I2C SDA	12	RS232-RX
13	UART-RTS	14	RS232-RTS
15	UART-CTS or DRDY	16	RS232-CTS
17	SPI-SCK	18	GND
19	SPI-MISO	20	RESERVED
21	SPI-MOSI	22	SYNC_IN
23	SPI-nCS	24	GND

- Micro USB: the Evaluation Board has a micro USB connection that can be used to connect directly to a USB port on a PC or laptop. To enable the communication via USB, make sure to have the peripheral selection set to UART (full duplex).
- Peripheral switch: This switch sets the interface configuration of the 12.1 x 12.1 mm module in the socket of the Evaluation Board.

Table 3. Settings for Switch

Lever nr	Name	Description																	
1	VDDIO_3.0V	Sets the VDDIO of UART, SPI and I2C to 3.0 V, if VDDIO is not supplied to pin #2 of the 24-pins connector. Setting a VDDIO, either external or with this lever, is required to properly define the voltage levels of SYNC_IN.																	
2	VDDIO_1.8V	Sets the VDDIO of UART, SPI and I2C to 1.8 V, if VDDIO is not supplied to pin #2 of the 24-pins connector. When VDDIO_3.0 V is selected as well, VDDIO will be 3.0 V. Setting a VDDIO, either external or with this lever, is required to properly define the voltage levels of SYNC_IN.																	
3	PSEL0	<table border="1"> <thead> <tr> <th>PSEL0</th> <th>PSEL1</th> <th>Peripheral⁽¹⁾</th> </tr> </thead> <tbody> <tr> <td>0</td> <td>0</td> <td>UART_FD</td> </tr> <tr> <td>1</td> <td>0</td> <td>UART_HD</td> </tr> <tr> <td>0</td> <td>1</td> <td>SPI</td> </tr> <tr> <td>1</td> <td>1</td> <td>I²C</td> </tr> </tbody> </table>			PSEL0	PSEL1	Peripheral ⁽¹⁾	0	0	UART_FD	1	0	UART_HD	0	1	SPI	1	1	I ² C
PSEL0	PSEL1				Peripheral ⁽¹⁾														
0	0				UART_FD														
1	0				UART_HD														
0	1	SPI																	
1	1	I ² C																	
4	PSEL1																		
5	RS232	Set this lever to 1 (high) to enable RS232 communication. Also, PSEL0 and PSEL1 must be set to UART. This lever must be set to 0 to enable I ² C																	
6	NC	N/A																	

Note:

- The values for the peripheral selection on the switch are inverted with respect to the values on the module.

Table 4. **Switch Positions to Enable Interfaces on Development Board**

Interface	PSEL0	PSEL1	RS232	Comments
UART FD	0	0	0	When USB is detected, interface is USB
UART HD	1	0	0	
USB	0	0	0	When USB is detected, interface is USB
I2C	1	1	0	
SPI	0	1	0	
RS232	0	0	1	When USB is detected, interface is USB



Figure 9. **Switch to I²C Interface and VDDIO of 3.0 V**

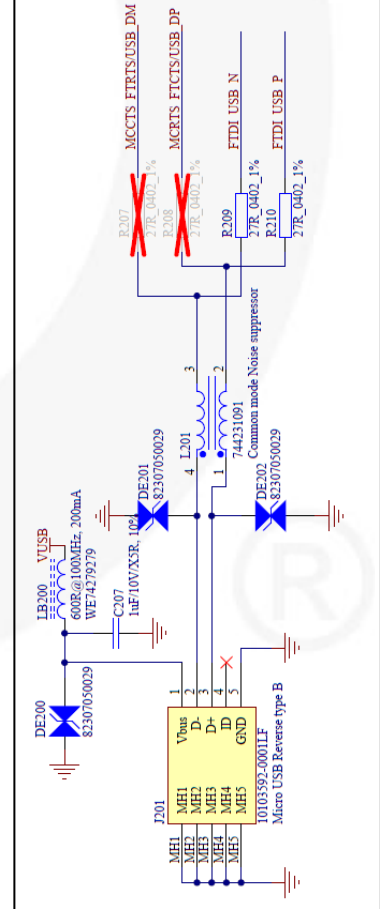
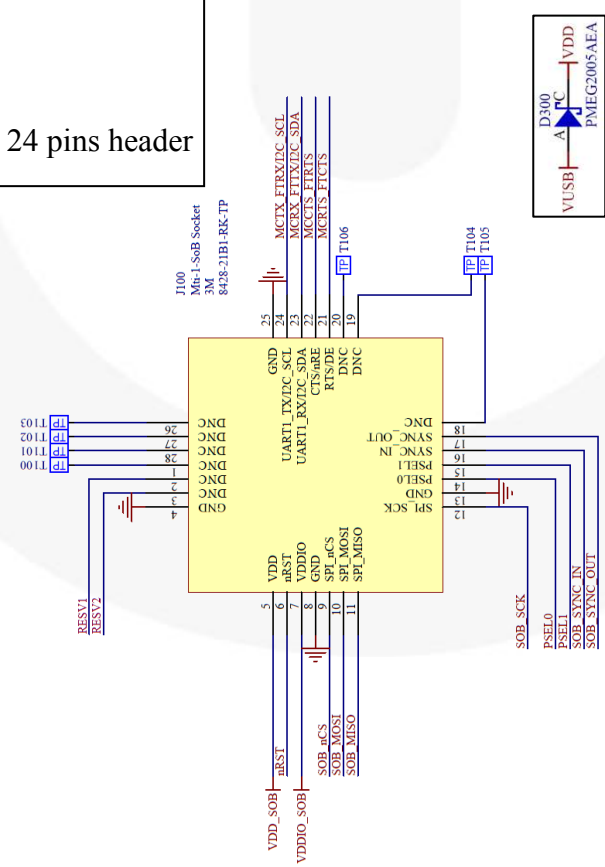
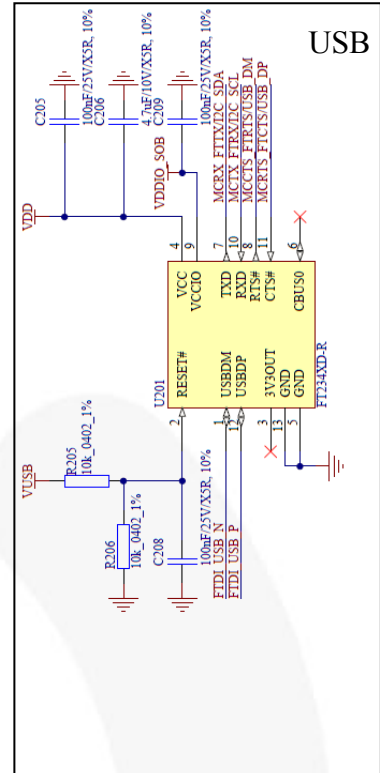
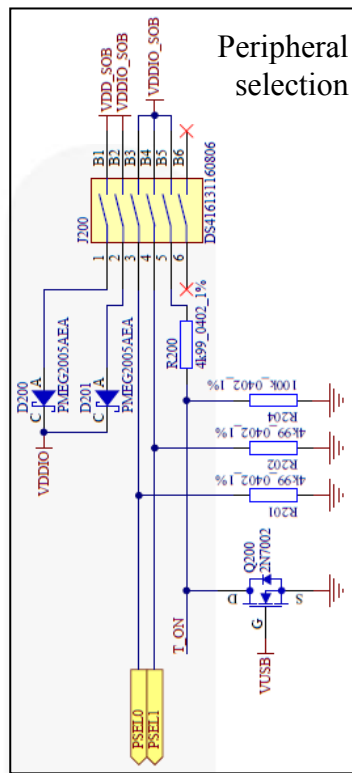
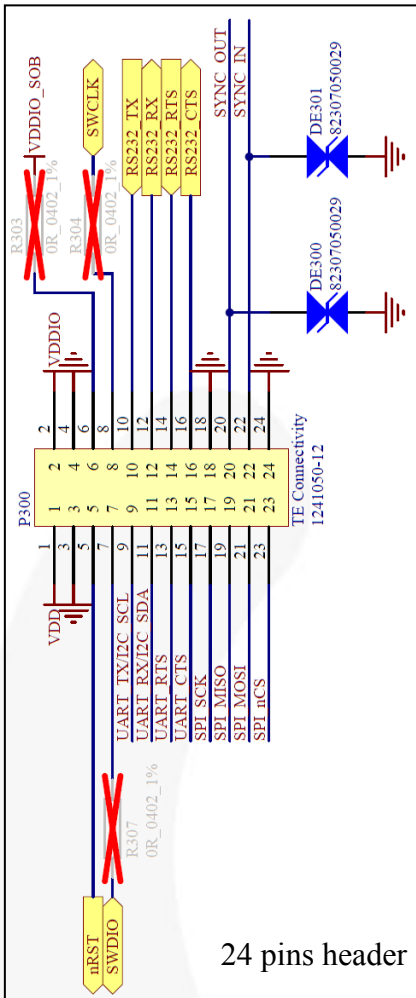


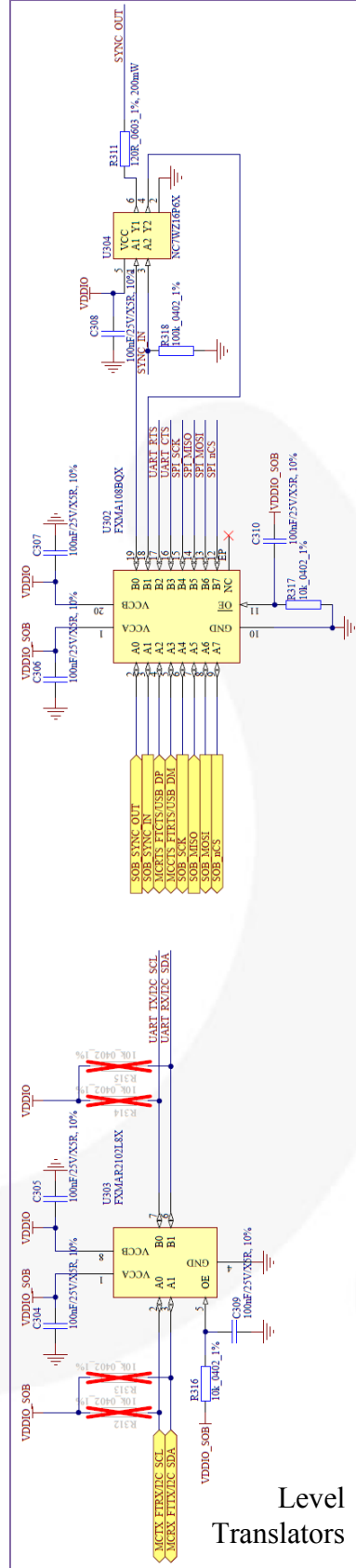
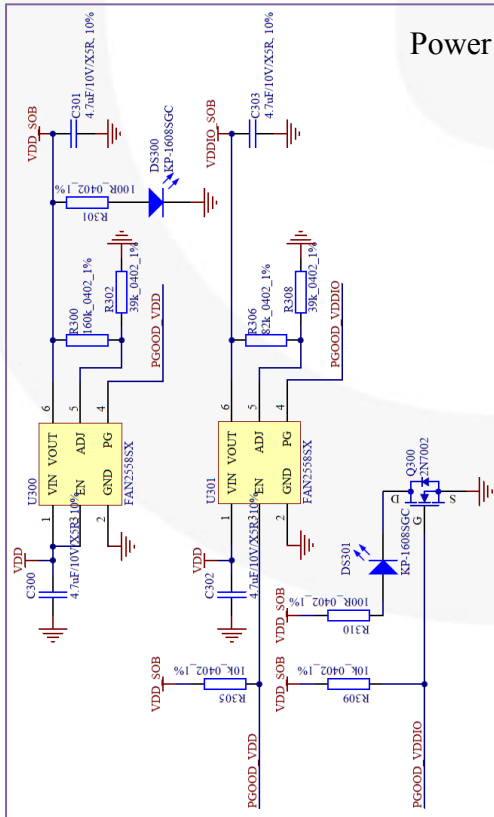
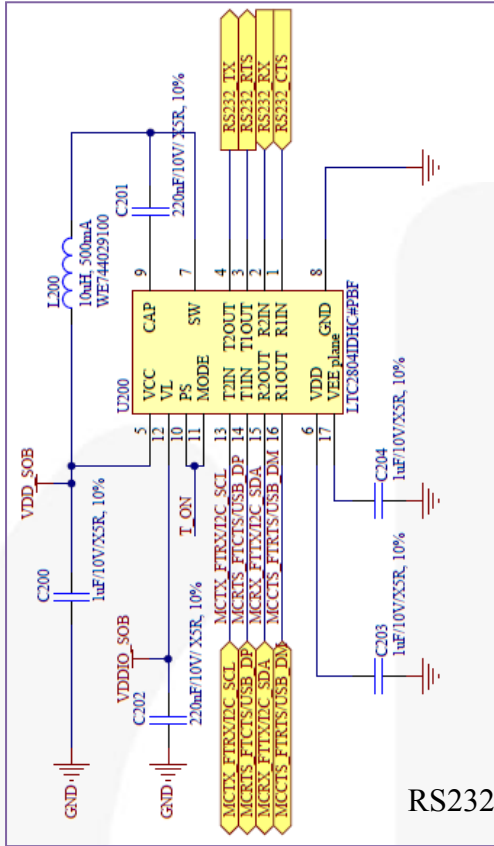
4.1. Pin Descriptions

Table 5. Pin Descriptions of the FEBFMT1030_MEMS01

Name	Type	Description
Power Interface		
VDD	Power	Power supply voltage for sensing elements
VDDIO	Power	Digital I/O supply voltage
Controls		
PSEL0	Selection pins	These pins determine the signal interface. See 0. Note that when the PSEL0/PSEL1 is not connected, its value is 1. When PSEL0/PSEL1 is connected to GND, its value is 0
PSEL1		
nRST		Active low reset pin, connect to VDDIO if not used
Signal Interface		
I2C_SDA	I ² C interface	I ² C serial data
I2C_SCL		I ² C serial clock
SPI_nCS	SPI interface	SPI chip select
SPI_MOSI		SPI serial data input (slave)
SPI_MISO		SPI serial data output (slave)
SPI_SCK		SPI serial clock
RTS	UART interface	Hardware flow control in UART full duplex mode (Ready-to-Send)
CTS		Hardware flow control in UART full duplex mode (Clear-to-Send)
nRE		Receiver control signal in UART half duplex mode
DE		Transmitter control signal in UART half duplex mode
UART-RX		Receiver data input
UART-TX		Transmitter data output
RS232-TX	RS232 interface	Receiver data input
RS232-RX		Transmitter data output
RS232-RTS		Hardware flow control in RS232 mode (Ready-to-Send)
RS232-CTS		Hardware flow control in RS232 mode (Clear-to-Send)
SYNC_IN	Sync interface	<p>SYNC_IN accepts a trigger which has the following functionality, depending on the configuration set in the firmware:</p> <ul style="list-style-type: none"> ▪ It sends out the latest available data message, or ▪ It adjusts the bias of the clock onboard the MTi
DRDY	Data ready	Data ready pin indicates that data is available (SPI / I ² C)

4.2. Schematics







4.5. Absolute Maximum Ratings

Table 7. Absolute Maximum Ratings FEBFMT1030

Parameter	Min.	Max.	Unit	Comments
Storage Temperature	-40	+125	°C	
Operating Temperature	-30	+85	°C	
VDD	0.3	6.0	V	
VDDIO	0.3	VDD + 0.5	V	
V _{SYNC_IN}		7.0	V	
Acceleration ⁽²⁾		10,000	g	Any axis, unpowered, for 0.2 ms
ESD Protection ⁽³⁾		±2000	V	Human Body Model

Notes:

2.  This is a mechanical shock (g) sensitive device. Proper handling is required to prevent damage to the part.
3.  This is an ESD-sensitive device. Proper handling is required to prevent damage to the part.



5. Revision History

Rev.	Date	Description
1.0	December 2015	Initial Release

WARNING AND DISCLAIMER

Replace components on the Evaluation Board only with those parts shown on the parts list (or Bill of Materials) in the Users' Guide. Contact an authorized Fairchild representative with any questions.

This board is intended to be used by certified professionals, in a lab environment, following proper safety procedures. Use at your own risk. The Evaluation board (or kit) is for demonstration purposes only and neither the Board nor this User's Guide constitute a sales contract or create any kind of warranty, whether express or implied, as to the applications or products involved. Fairchild warrants that its products meet Fairchild's published specifications, but does not guarantee that its products work in any specific application. Fairchild reserves the right to make changes without notice to any products described herein to improve reliability, function, or design. Either the applicable sales contract signed by Fairchild and Buyer or, if no contract exists, Fairchild's standard Terms and Conditions on the back of Fairchild invoices, govern the terms of sale of the products described herein.

DISCLAIMER

FAIRCHILD SEMICONDUCTOR RESERVES THE RIGHT TO MAKE CHANGES WITHOUT FURTHER NOTICE TO ANY PRODUCTS HEREIN TO IMPROVE RELIABILITY, FUNCTION, OR DESIGN. FAIRCHILD DOES NOT ASSUME ANY LIABILITY ARISING OUT OF THE APPLICATION OR USE OF ANY PRODUCT OR CIRCUIT DESCRIBED HEREIN; NEITHER DOES IT CONVEY ANY LICENSE UNDER ITS PATENT RIGHTS, NOR THE RIGHTS OF OTHERS.

LIFE SUPPORT POLICY

FAIRCHILD'S PRODUCTS ARE NOT AUTHORIZED FOR USE AS CRITICAL COMPONENTS IN LIFE SUPPORT DEVICES OR SYSTEMS WITHOUT THE EXPRESS WRITTEN APPROVAL OF THE PRESIDENT OF FAIRCHILD SEMICONDUCTOR CORPORATION.

As used herein:

1. Life support devices or systems are devices or systems which, (a) are intended for surgical implant into the body, or (b) support or sustain life, or (c) whose failure to perform when properly used in accordance with instructions for use provided in the labeling, can be reasonably expected to result in significant injury to the user.
2. A critical component is any component of a life support device or system whose failure to perform can be reasonably expected to cause the failure of the life support device or system, or to affect its safety or effectiveness.

ANTI-COUNTERFEITING POLICY

Fairchild Semiconductor Corporation's Anti-Counterfeiting Policy. Fairchild's Anti-Counterfeiting Policy is also stated on our external website, www.fairchildsemi.com, under Sales Support.

Counterfeiting of semiconductor parts is a growing problem in the industry. All manufacturers of semiconductor products are experiencing counterfeiting of their parts. Customers who inadvertently purchase counterfeit parts experience many problems such as loss of brand reputation, substandard performance, failed applications, and increased cost of production and manufacturing delays. Fairchild is taking strong measures to protect ourselves and our customers from the proliferation of counterfeit parts. Fairchild strongly encourages customers to purchase Fairchild parts either directly from Fairchild or from Authorized Fairchild Distributors who are listed by country on our web page cited above. Products customers buy either from Fairchild directly or from Authorized Fairchild Distributors are genuine parts, have full traceability, meet Fairchild's quality standards for handling and storage and provide access to Fairchild's full range of up-to-date technical and product information. Fairchild and our Authorized Distributors will stand behind all warranties and will appropriately address any warranty issues that may arise. Fairchild will not provide any warranty coverage or other assistance for parts bought from Unauthorized Sources. Fairchild is committed to combat this global problem and encourage our customers to do their part in stopping this practice by buying direct or from authorized distributors.

EXPORT COMPLIANCE STATEMENT

These commodities, technology, or software were exported from the United States in accordance with the Export Administration Regulations for the ultimate destination listed on the commercial invoice. Diversion contrary to U.S. law is prohibited.

U.S. origin products and products made with U.S. origin technology are subject to U.S. Re-export laws. In the event of re-export, the user will be responsible to ensure the appropriate U.S. export regulations are followed.