



Chipsmall Limited consists of a professional team with an average of over 10 year of expertise in the distribution of electronic components. Based in Hongkong, we have already established firm and mutual-benefit business relationships with customers from,Europe,America and south Asia,supplying obsolete and hard-to-find components to meet their specific needs.

With the principle of “Quality Parts,Customers Priority,Honest Operation,and Considerate Service”,our business mainly focus on the distribution of electronic components. Line cards we deal with include Microchip,ALPS,ROHM,Xilinx,Pulse,ON,Everlight and Freescale. Main products comprise IC,Modules,Potentiometer,IC Socket,Relay,Connector.Our parts cover such applications as commercial,industrial, and automotives areas.

We are looking forward to setting up business relationship with you and hope to provide you with the best service and solution. Let us make a better world for our industry!



Contact us

Tel: +86-755-8981 8866 Fax: +86-755-8427 6832

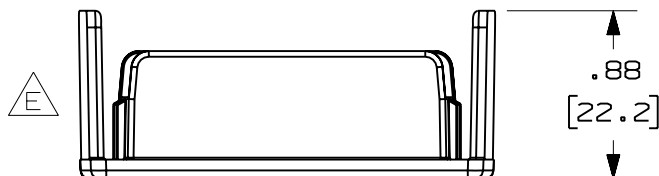
Email & Skype: info@chipsmall.com Web: www.chipsmall.com

Address: A1208, Overseas Decoration Building, #122 Zhenhua RD., Futian, Shenzhen, China



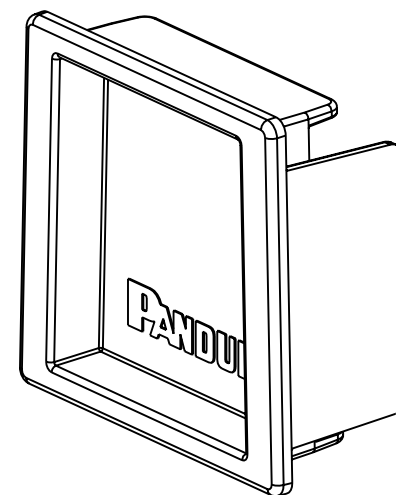
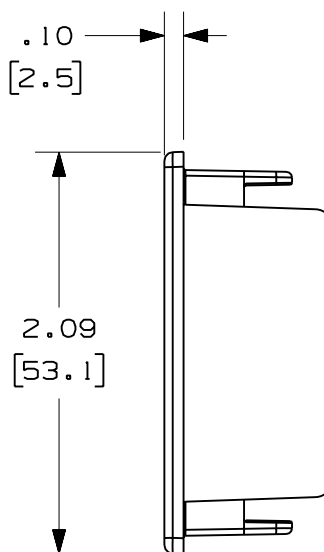
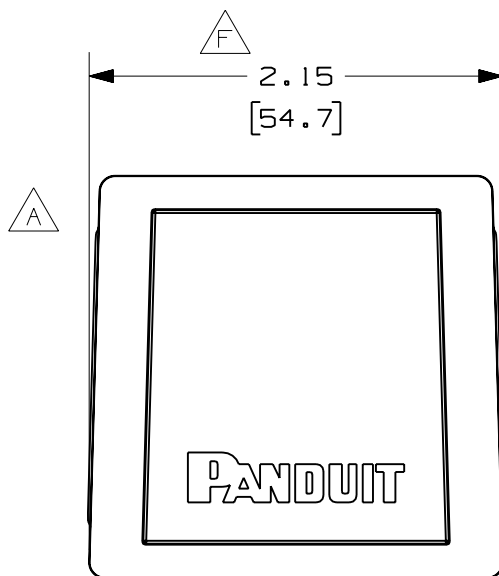
THIS COPY IS PROVIDED ON A RESTRICTED BASIS AND IS NOT TO BE USED IN ANY WAY DETRIMENTAL TO THE INTERESTS OF PANDUIT CORP.

PANDUIT PART NUMBER	WEIGHT
FEC2X2	0.03 LB/EACH (15g/EACH)



NOTES:

1. SEE CURRENT CATALOG FOR ADDITIONAL PART SUFFIXES TO INDICATE COLOR AND/OR PACKAGE QUANTITY.
2. DIMENSIONS IN PARENTHESES ARE IN METRIC.



ENG. REF.: D35245CB_DC_FEC2X2_02.prt

CAD FILENAME/LAYERS FEC2X2.pdf

-	-----	---	---	H. REVISED GENERAL NOTES.	-----	--	--		
-	-----	---	---	G. REVISED MATERIAL. F. REVISED DIMENSION	-----	--	--		
-	-----	---	---	E. ADDED TOP VIEW D. REVISED PART WEIGHT	-----	--	--		
2	6-21-06	DTP	RN	C. REVISED CAD FILENAME B. REVISED DRAWING TITLE	35245-28	RN	RN		
1	5-15-97	JBA	CEF	A. REPOSITIONED PART AND PANDUIT LOGO.	35245-28	CEF	CEF		
R	1-17-97	RCA	CEF	RELEASED TO PRODUCTION	35245-28	CEF			
REV	DATE	BY	CHK	DESCRIPTION	ECN	R	CUST	SUP	GMBH

PANDUIT CORP		TINLEY PARK, ILLINOIS	
FIBER-DUCT 2x2 END CAP (FEC2X2)			
CUSTOMER DRAWING			
UNLESS OTHERWISE SPECIFIED, DIMENSIONAL TOLERANCES ARE: (.X) ± (XXX) ± (.XX) ± .03 (.8) ANGLES ±		UNLESS OTHERWISE SPECIFIED, ALL DIMENSIONS ARE GIVEN IN INCHES, THIRD ANGLE PROJECTION.	
DRAWN BY RCA	MAT'L: ABS	SCALE NONE	DWG A
DATE 1-17-97		DRAWING NO. 35245-28	SIZE A
CHK'D CEF			