



Chipsmall Limited consists of a professional team with an average of over 10 year of expertise in the distribution of electronic components. Based in Hongkong, we have already established firm and mutual-benefit business relationships with customers from,Europe,America and south Asia,supplying obsolete and hard-to-find components to meet their specific needs.

With the principle of “Quality Parts,Customers Priority,Honest Operation,and Considerate Service”,our business mainly focus on the distribution of electronic components. Line cards we deal with include Microchip,ALPS,ROHM,Xilinx,Pulse,ON,Everlight and Freescale. Main products comprise IC,Modules,Potentiometer,IC Socket,Relay,Connector.Our parts cover such applications as commercial,industrial, and automotives areas.

We are looking forward to setting up business relationship with you and hope to provide you with the best service and solution. Let us make a better world for our industry!



Contact us

Tel: +86-755-8981 8866 Fax: +86-755-8427 6832

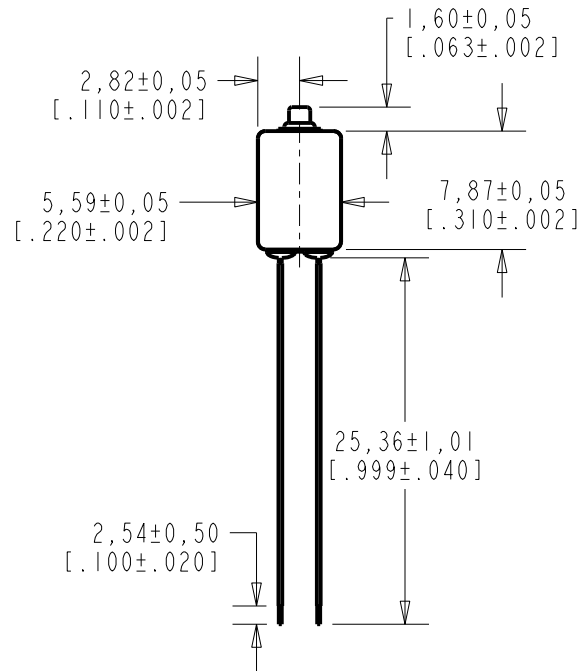
Email & Skype: info@chipsmall.com Web: www.chipsmall.com

Address: A1208, Overseas Decoration Building, #122 Zhenhua RD., Futian, Shenzhen, China



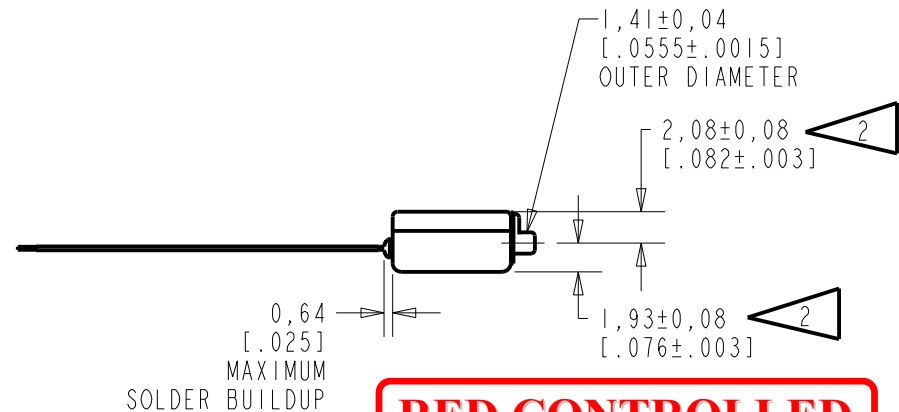
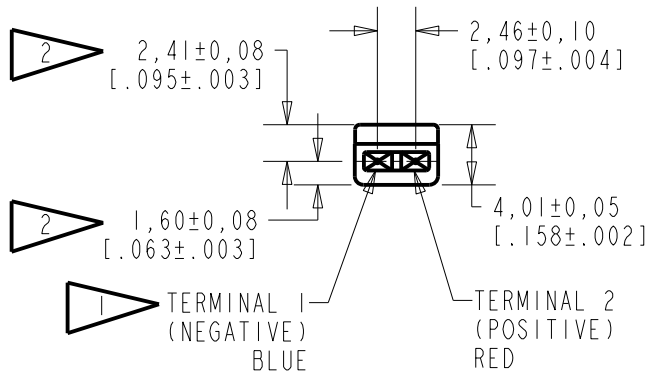
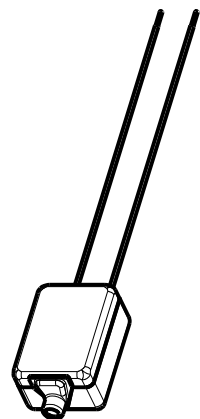
FEF-27351-PI6

SHT 1.1



NOTES:

- 1 A POSITIVE GOING VOLTAGE AT TERMINAL 2, RELATIVE TO TERMINAL 1, CAUSES AN DECREASE IN PRESSURE AT THE SOUND OUTLET.
- 2 LOCATED FROM TWO SURFACES FOR CUSTOMER CONVENIENCE, ONLY APPLICABLE FROM ONE SURFACE, NOT TO BE USED TOGETHER. HORIZONTAL LOCATION FOR TERMINAL CENTERED TO $\pm 0,17$ [.007].



RED CONTROLLED

NOMINAL WEIGHT
.71 GRAM

DIMENSIONS IN MILLIMETERS [INCHES]

Revision	C.O. #	Implementation Date	RELEASE LEVEL	REVISION
A	C40101124	10-8-12	Active	A

SCALE:	2:1	DR. BY	DATE
DO NOT SCALE DRAWING		LW	10-8-12
TITLE:		CK. BY	DATE
RECEIVER	FEF-27351-PI6	GJP	10-11-12
OUTLINE DRAWING	SHT 1.1	APP. BY	DATE
		GJP	10-11-12

KNOWLES ELECTRONICS
ITASCA, ILLINOIS U.S.A.

NOTES:

1. UNITS ARE TESTED AS INDIVIDUAL RECEIVERS. FOR THESE SPECIFICATIONS SEE FEF-23751-104, SHEET 2.1.

RED CONTROLLED

Revision	C.O. #	Implementation Date	RELEASE LEVEL	REVISION
			Active	A
A	C40101124	10-8-12		

WHEN TEST LIMITS ARE USED TO ESTABLISH INCOMING INSPECTION ACCEPTANCE/REJECTION CRITERIA, CORRELATION OF TEST EQUIPMENT WITH KNOWLES IS ALSO REQUIRED FOR ELIMINATION OF EQUIPMENT AND TEST METHOD VARIATION		DR. BY LW	DATE 10-8-12
TITLE: RECEIVER PERFORMANCE SPECIFICATION		GJP 10-11-12	
		APP. BY GJP	DATE 10-11-12
		FEF-27351-P16 SHT 2.1	

KNOWLES ELECTRONICS
ITASCA, ILLINOIS U.S.A.

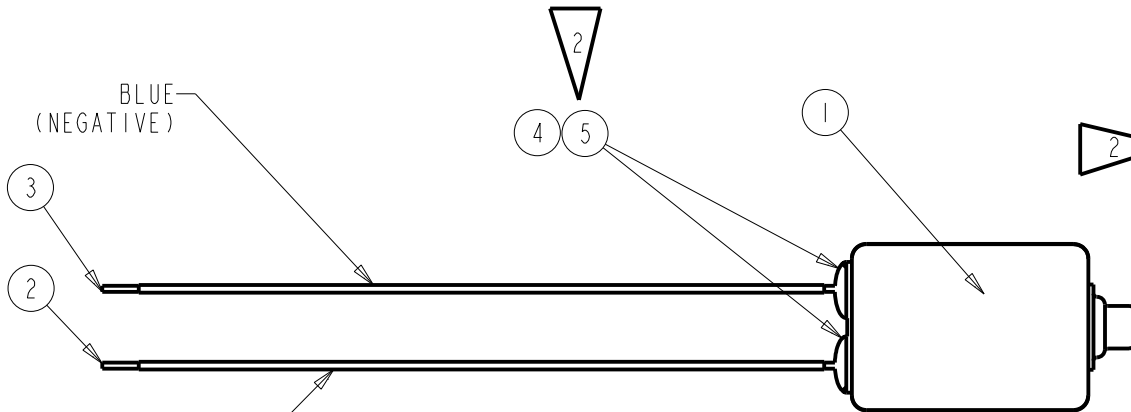
PROPRIETARY NOTE: THIS DOCUMENT CONTAINS INFORMATION WHICH IS THE PROPRIETARY PROPERTY OF KNOWLES ELECTRONICS, LLC. OR ITS AFFILIATED ENTITIES. IT IS ISSUED IN STRICT CONFIDENCE AND SHALL NOT BE REPRODUCED, COPIED, USED, OR DISCLOSED TO ANY THIRD PARTY PARTIALLY OR WHOLLY IN ANY MANNER WITHOUT PRIOR WRITTEN PERMISSION OF, AND MUST BE RETURNED UPON REQUEST BY, KNOWLES ELECTRONICS, LLC.

FEF-27351-P16

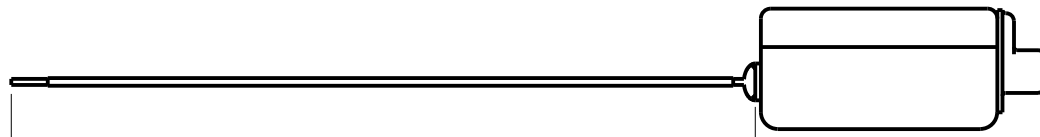
NOTES:

1. ITEM NUMBERS (SHOWN THUS ) ON DRAWING CORRESPOND WITH ITEM NUMBERS ON BILL OF MATERIAL.

 COVER SOLDER COMPLETELY WITH CEMENT, ITEM 5.



RED (POSITIVE)



25,36 ± 1,01
[.999 ± .040]

DIMENSIONS IN MILLIMETERS [INCHES]

RELEASE LEVEL	REVISION
Active	A

MATERIAL SEE BILL OF MATERIAL

FINISH ---

SCALE: 4:1

DO NOT SCALE DRAWING

REF. A

c.o. C40101124

RED CONTROLLED

UNLESS OTHERWISE SPECIFIED, DIMENSIONS ARE IN INCHES.

THIRD ANGLE PROJECTION



KNOWLES ELECTRONICS
ITASCA, ILLINOIS U.S.A.

TITLE

RECEIVER ASSEMBLY

FEF-27351-P16

SHEET 3.1

DR. BY DATE
LW 10-8-12

CH. BY DATE
GJP 10-11-12

APP. BY DATE
GJP 10-11-12

FEF-27351-P16			KNOWLES ELECTRONICS			FEF-27351-P16					
Sheet 4.1			ITASCA, ILLINOIS U.S.A.			Sheet 4.1					
Dr.	By	Date	Subject: RECEIVER ASSEMBLY			Revision					
Ch.	GJP	10-11-12				A			Release Level		
App.	GJP	10-11-12							Active		
COL. 1									2		
Part or Dwg. no.			Tot. Req.			Nomenclature:			4		
						Applicable Specs or Remarks			Item No.	Line No.	
FEF-27351-104			1			RECEIVER ASSEMBLY				1	
FG-035-2			A/R			WIRE				2	
FG-035-4			A/R			WIRE				3	
285-007-001			A/R			SOLDER LEAD FREE				4	
021-0425			A/R			GREEN PROTECTIVE LACQUAR				5	



REVISION
A c.o. C40101124

RED CONTROLLED

FEF-27351-P16
Sheet 4.1

PROPRIETARY NOTE: THIS DOCUMENT CONTAINS INFORMATION WHICH IS THE PROPRIETARY PROPERTY OF KNOWLES ELECTRONICS, LLC. OR ITS AFFILIATED ENTITIES. IT IS ISSUED IN STRICT CONFIDENCE AND SHALL NOT BE REPRODUCED, COPIED, USED, OR DISCLOSED TO ANY THIRD PARTY PARTIALLY OR WHOLLY IN ANY MANNER WITHOUT PRIOR WRITTEN PERMISSION OF, AND MUST BE RETURNED UPON REQUEST BY, KNOWLES ELECTRONICS, LLC.

REF: 100-PART-00-PMW REF: 0

PRODUCTION TEST INFORMATION

SEE FEF-27351-104 SHEET 5.1 FOR TEST REQUIREMENTS.

RED CONTROLLED

Revision	C.O. #	Implementation Date	RELEASE LEVEL	REVISION
			Active	A
A	C40101124	10-8-12		

KNOWLES ELECTRONICS ITASCA, ILLINOIS U.S.A.	WHEN TEST LIMITS ARE USED TO ESTABLISH INCOMING INSPECTION ACCEPTANCE/REJECTION CRITERIA, CORRELATION OF TEST EQUIPMENT WITH KNOWLES IS ALSO REQUIRED FOR ELIMINATION OF EQUIPMENT AND TEST METHOD VARIATION	DR. BY LW	DATE 10-8-12	
	TITLE: RECEIVER PERFORMANCE SPECIFICATION	FEF-27351-P16 SHT 5.1	CK. BY GJP	DATE 10-11-12
			APP. BY GJP	DATE 10-11-12