



Chipsmall Limited consists of a professional team with an average of over 10 year of expertise in the distribution of electronic components. Based in Hongkong, we have already established firm and mutual-benefit business relationships with customers from,Europe,America and south Asia,supplying obsolete and hard-to-find components to meet their specific needs.

With the principle of “Quality Parts,Customers Priority,Honest Operation,and Considerate Service”,our business mainly focus on the distribution of electronic components. Line cards we deal with include Microchip,ALPS,ROHM,Xilinx,Pulse,ON,Everlight and Freescale. Main products comprise IC,Modules,Potentiometer,IC Socket,Relay,Connector.Our parts cover such applications as commercial,industrial, and automotives areas.

We are looking forward to setting up business relationship with you and hope to provide you with the best service and solution. Let us make a better world for our industry!



Contact us

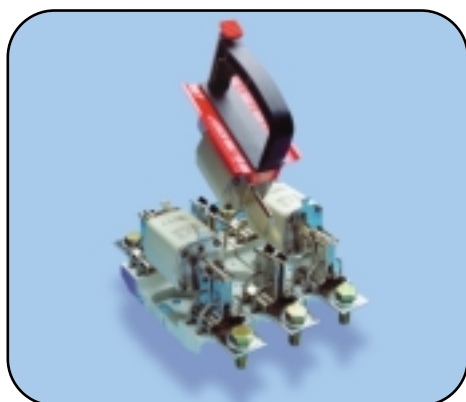
Tel: +86-755-8981 8866 Fax: +86-755-8427 6832

Email & Skype: info@chipsmall.com Web: www.chipsmall.com

Address: A1208, Overseas Decoration Building, #122 Zhenhua RD., Futian, Shenzhen, China



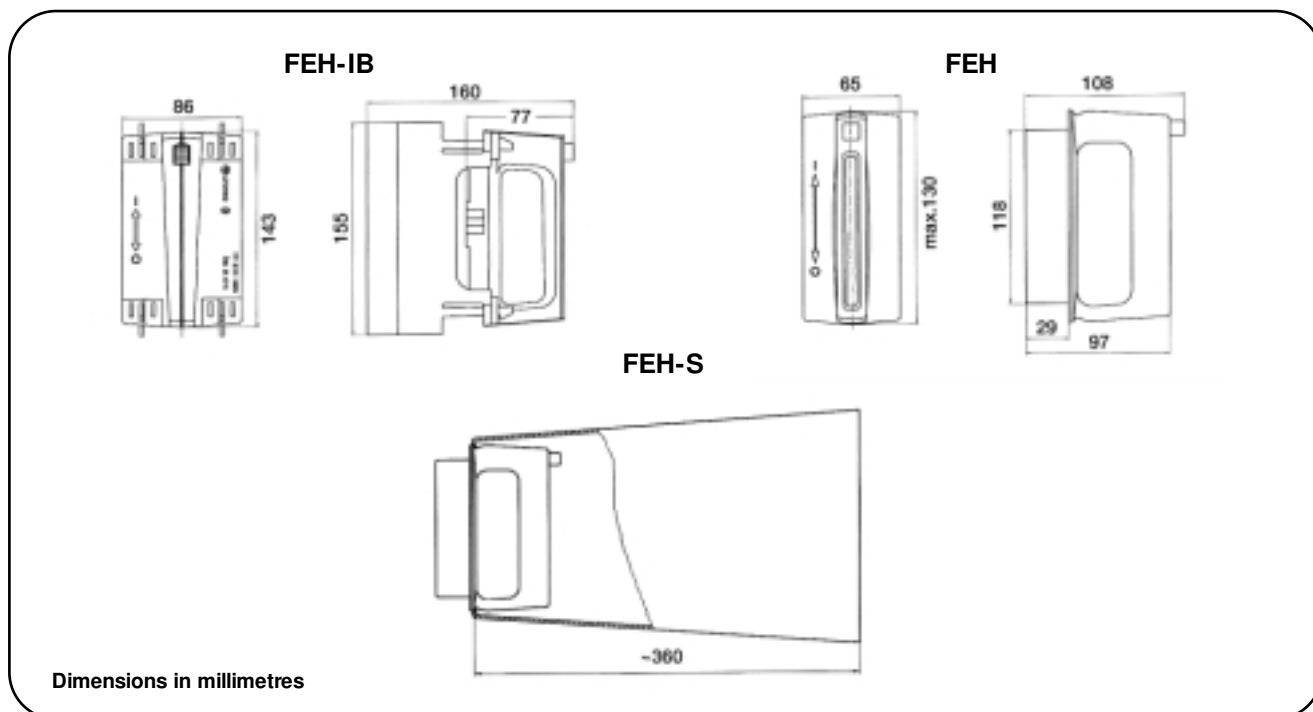
Fuse Extraction Handle



- For use with size C00 to Size 3 fuselinks
- Rated at 690Vac
- Approved to IEC 60269

1 FUSE EXTRACTION HANDLE TECHNICAL DATA

Part Number	FEH	FEH-IB	FEH-S
	Basic Handle	With Insulated Barriers	Sleeved
Size of Fuselinks to be used with	C00, 00, 0, 01, 1, 02, 2, 03, 3		
Insulating Voltage	690A ac		
Resistance to Climatic Conditions	Normal and Tropical		
Weight	0.220 kg	0.520 kg	0.520 kg
Packaging	1 piece per carton		



END BARRIERS

- Material: fibreglass
- Resistant to tropical climate
- End barriers weight
- All 3 pole fuses bases come with partition barriers for either side of the middle phase

1 FUSE BASE TECHNICAL DATA

End Partition Part Number	Fuse Base	Weight (kg)
EPB00	for TB00	0,022 kg
EPB1	for TB1	0,056 kg
EPB2	for TB2	0,068 kg

