



Chipsmall Limited consists of a professional team with an average of over 10 year of expertise in the distribution of electronic components. Based in Hongkong, we have already established firm and mutual-benefit business relationships with customers from,Europe,America and south Asia,supplying obsolete and hard-to-find components to meet their specific needs.

With the principle of “Quality Parts,Customers Priority,Honest Operation,and Considerate Service”,our business mainly focus on the distribution of electronic components. Line cards we deal with include Microchip,ALPS,ROHM,Xilinx,Pulse,ON,Everlight and Freescale. Main products comprise IC,Modules,Potentiometer,IC Socket,Relay,Connector.Our parts cover such applications as commercial,industrial, and automotives areas.

We are looking forward to setting up business relationship with you and hope to provide you with the best service and solution. Let us make a better world for our industry!



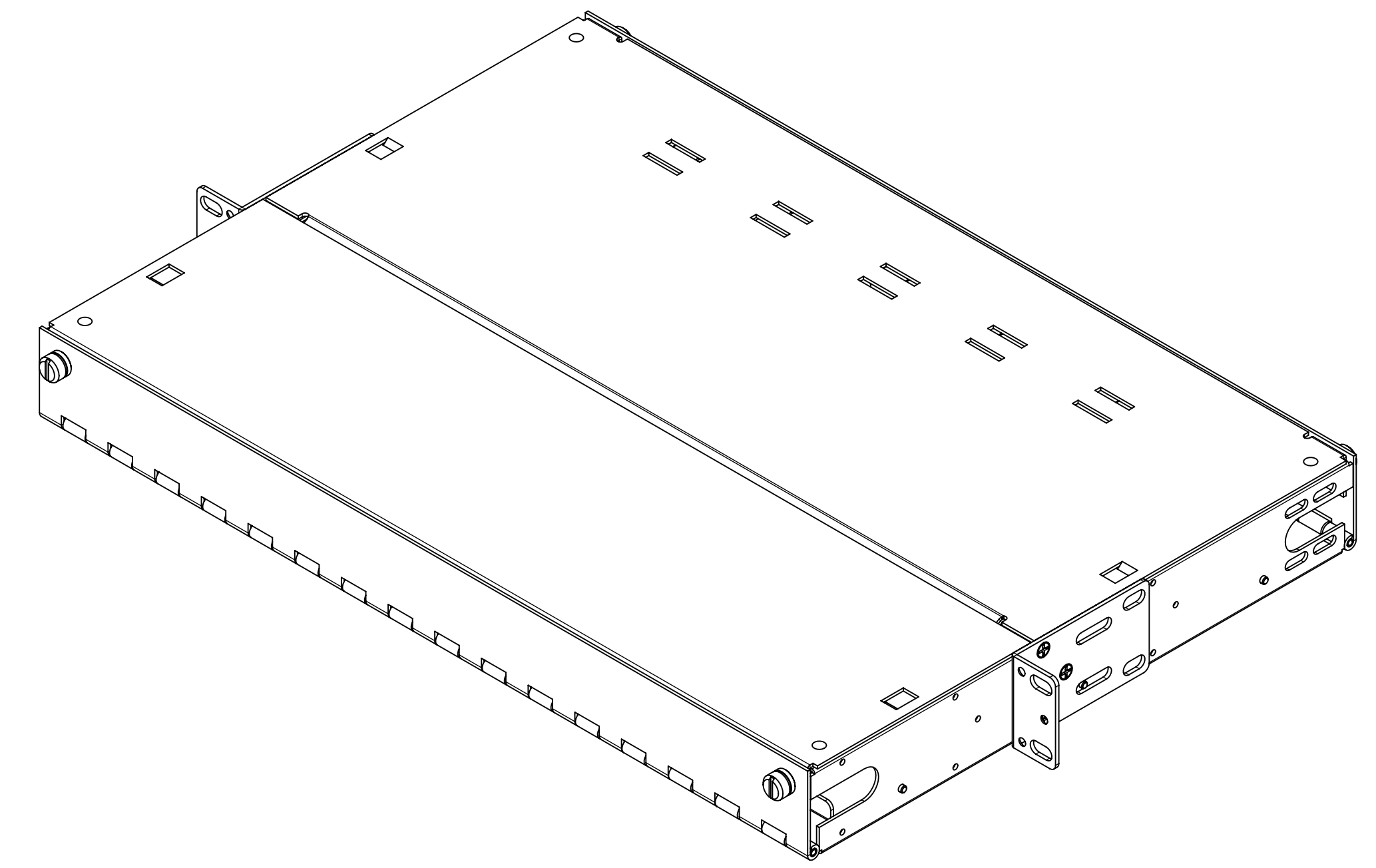
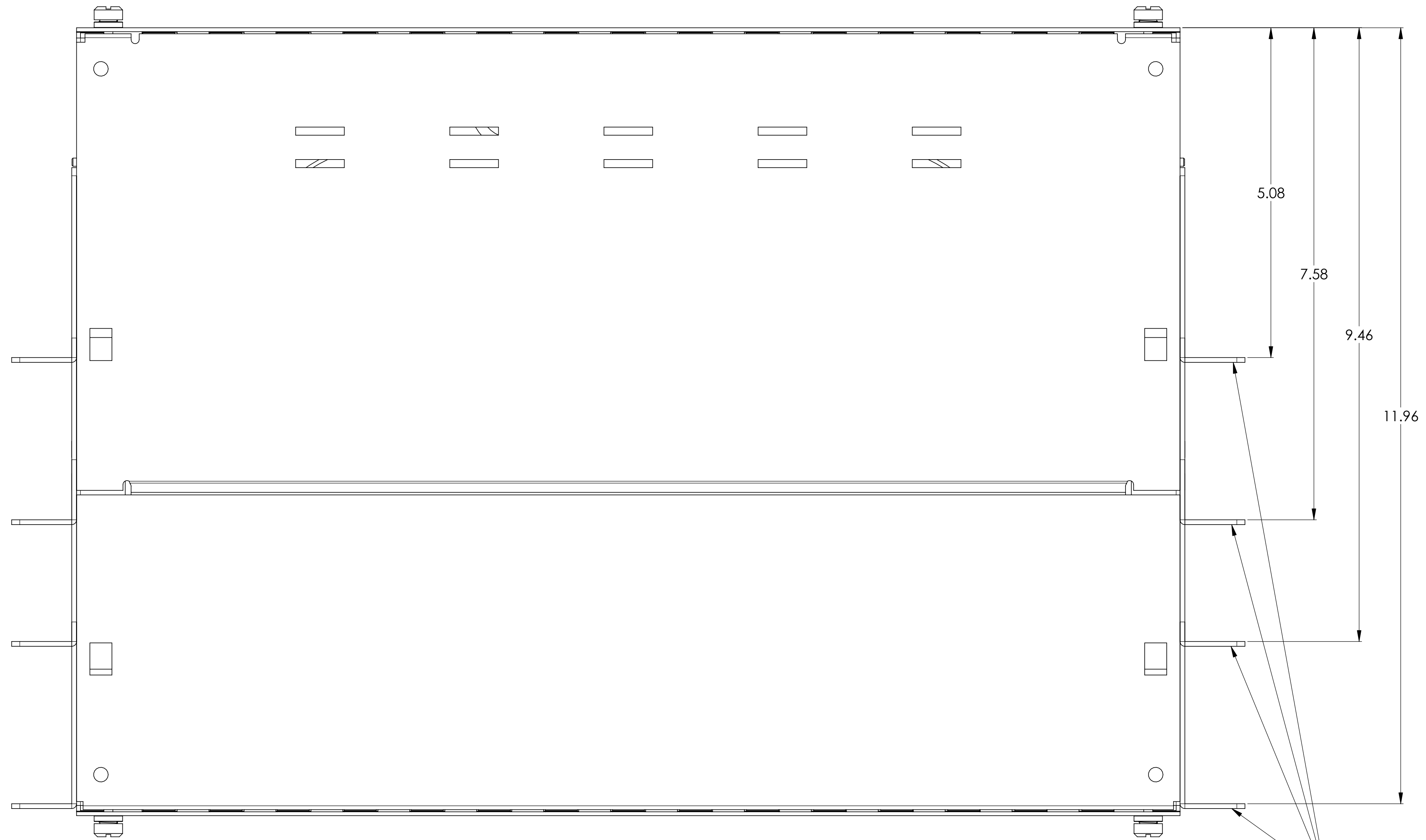
## Contact us

Tel: +86-755-8981 8866 Fax: +86-755-8427 6832

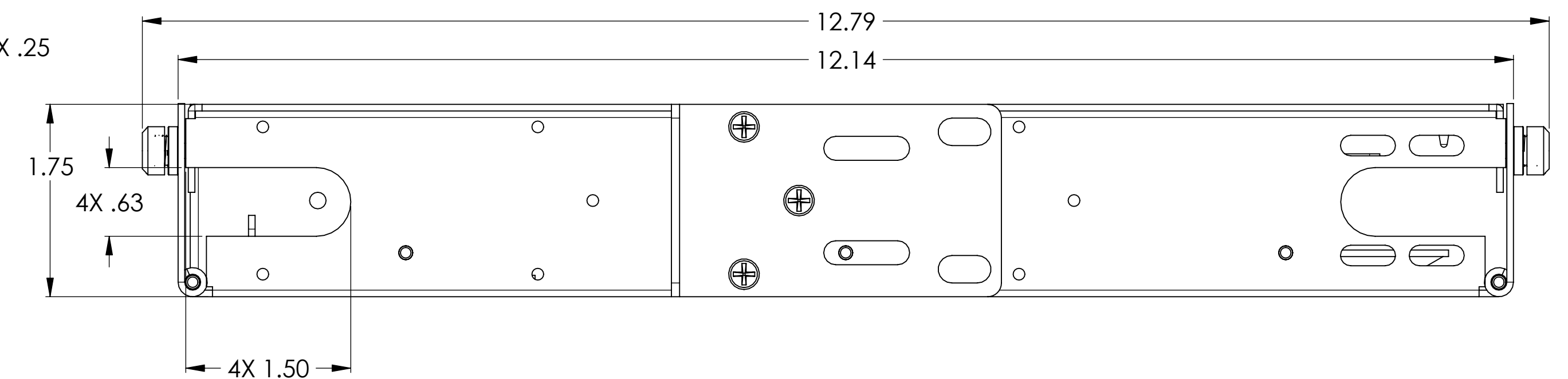
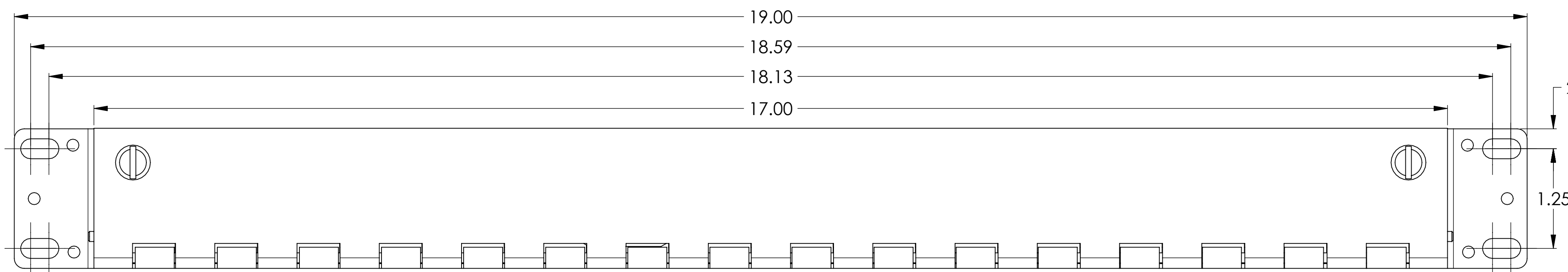
Email & Skype: info@chipsmall.com Web: www.chipsmall.com

Address: A1208, Overseas Decoration Building, #122 Zhenhua RD., Futian, Shenzhen, China





OPTIONAL BRACKET  
MOUNTING POSITIONS



INVENTORS

**HellermannTyton.**

ALL PROPRIETARY RIGHTS IN THE SUBJECT MATTER SHOWN ON THIS DRAWING ARE EXCLUSIVE PROPERTY OF HELLERMANNITYTON

name date city\_state

NOTES

REVISION

level	01
by	AAC
date	11/20/2006
ECN #	010551
part level	-

DIMENSIONS

.XXXX = ±.0005  
.XXX = ±.005  
.XX = ±.01  
.X = ±.03  
∠ = ±0.5°  
unless otherwise specified  
units inches

PART

number	FERM18S	phase	Production
name	1U FIBER OPTIC SPLICE BOX		
material	STEEL 0.06 THICK		

DRAWING

format	D	SW 2007	scale	12:1
version				
computer file number	FI3001004CST_01	previous number		
drawn	AAC	checked	KAC	approved
date	11/20/2006	checked	11/20/2006	approved
type	Customer	sheet	1 of 1	
number	<b>FI3001004CST</b>			