



Chipsmall Limited consists of a professional team with an average of over 10 year of expertise in the distribution of electronic components. Based in Hongkong, we have already established firm and mutual-benefit business relationships with customers from,Europe,America and south Asia,supplying obsolete and hard-to-find components to meet their specific needs.

With the principle of “Quality Parts,Customers Priority,Honest Operation,and Considerate Service”,our business mainly focus on the distribution of electronic components. Line cards we deal with include Microchip,ALPS,ROHM,Xilinx,Pulse,ON,Everlight and Freescale. Main products comprise IC,Modules,Potentiometer,IC Socket,Relay,Connector.Our parts cover such applications as commercial,industrial, and automotives areas.

We are looking forward to setting up business relationship with you and hope to provide you with the best service and solution. Let us make a better world for our industry!



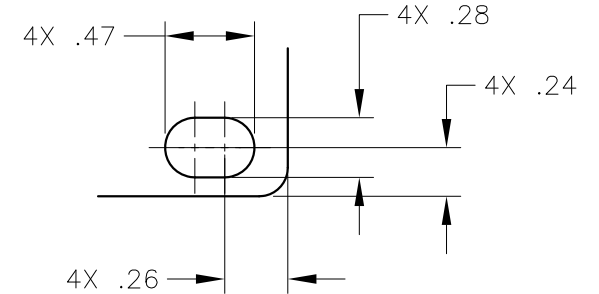
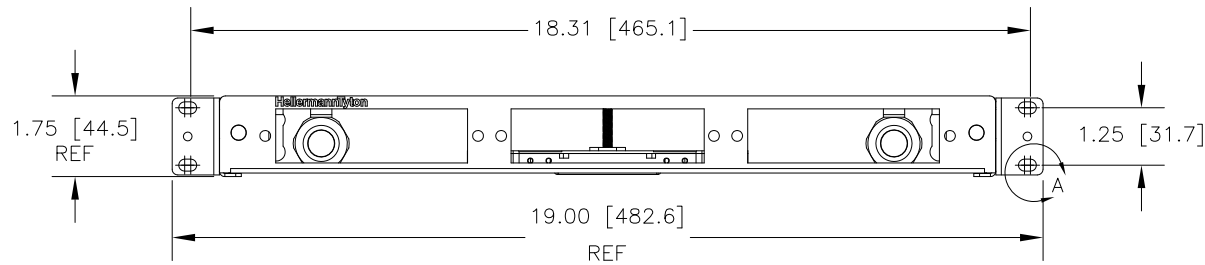
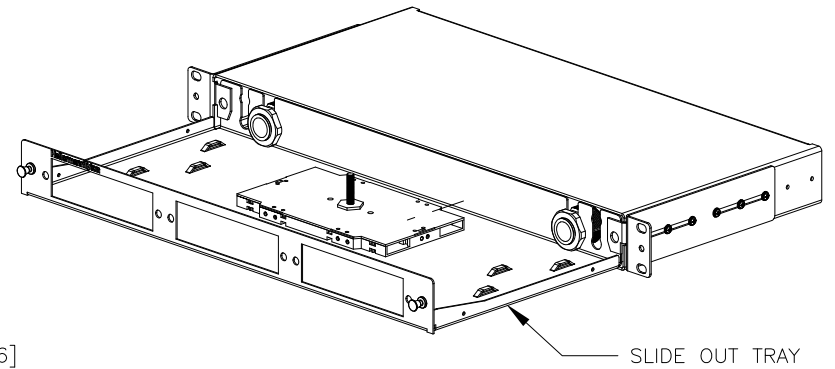
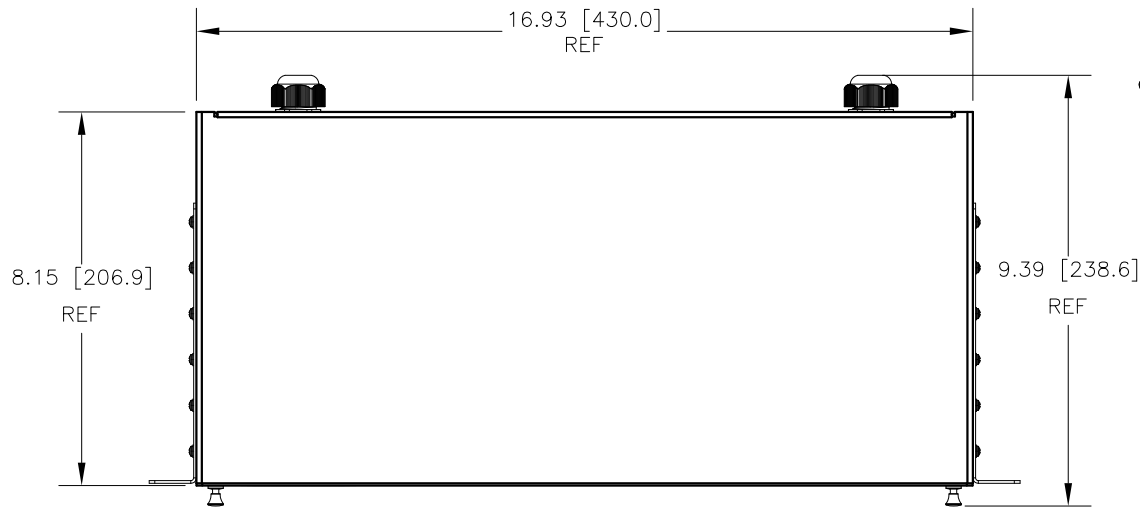
## Contact us

Tel: +86-755-8981 8866 Fax: +86-755-8427 6832

Email & Skype: info@chipsmall.com Web: www.chipsmall.com

Address: A1208, Overseas Decoration Building, #122 Zhenhua RD., Futian, Shenzhen, China





DETAIL A  
SCALE 1:1

NOTES

<b>HellermanTyton</b> ALL PROPRIETARY RIGHTS IN THE SUBJECT MATTER SHOWN ON THIS DRAWING ARE EXCLUSIVE PROPERTY OF HELLERMANNITYTON		
name	date	city, state

REVISION	level	01
	date	02/24/14
	by	AAC
	ECN #	012592
	part level	A

DIMENSIONS	.XXXX = ±.0005
	.XXX = ±.005
	.XX = ±.01
	.X = ±.03
	∠ = ±0.5°
unless otherwise specified	
units inches	

PART	number	FERM1UV	phase	PRODUCTION
	name 1U RACK MOUNT FIBER ENCLOSURE VALUE SERIES			
	material STEEL - BLACK POWDER COAT			

DRAWING	FORMAT C version	0	CAD	ACAD	scale	.5X
	computer file number	M:\CST\3001022_01	previous number			
	drawn	A.A.C.	checked	K.A.C.	approved	
	date	02/24/14	date	02/24/14	approved	
type		CUSTOMER		sheet 1 of 1		
number		F13001022CST				