



Chipsmall Limited consists of a professional team with an average of over 10 year of expertise in the distribution of electronic components. Based in Hongkong, we have already established firm and mutual-benefit business relationships with customers from,Europe,America and south Asia,supplying obsolete and hard-to-find components to meet their specific needs.

With the principle of “Quality Parts,Customers Priority,Honest Operation,and Considerate Service”,our business mainly focus on the distribution of electronic components. Line cards we deal with include Microchip,ALPS,ROHM,Xilinx,Pulse,ON,Everlight and Freescale. Main products comprise IC,Modules,Potentiometer,IC Socket,Relay,Connector.Our parts cover such applications as commercial,industrial, and automotives areas.

We are looking forward to setting up business relationship with you and hope to provide you with the best service and solution. Let us make a better world for our industry!



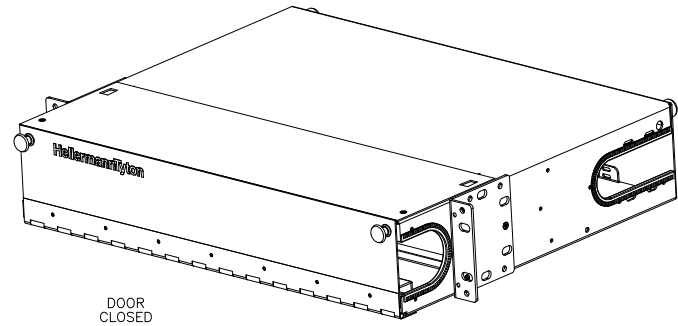
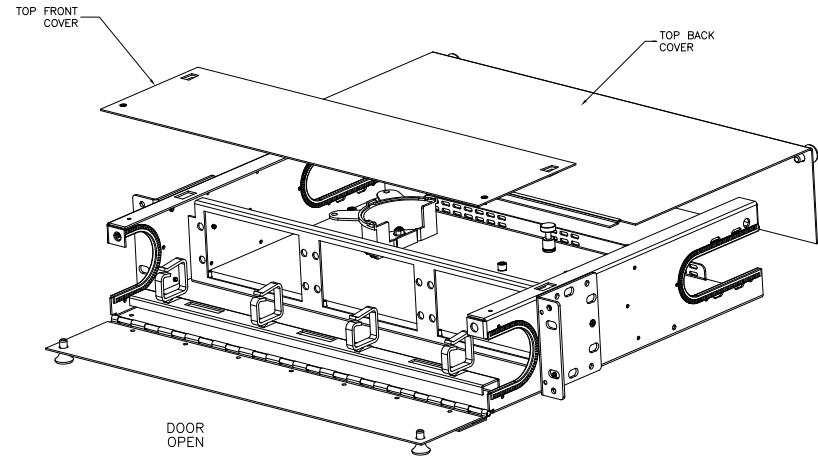
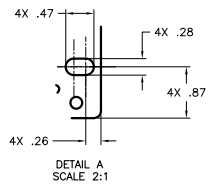
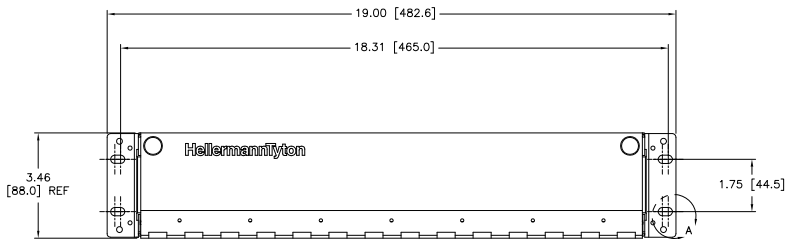
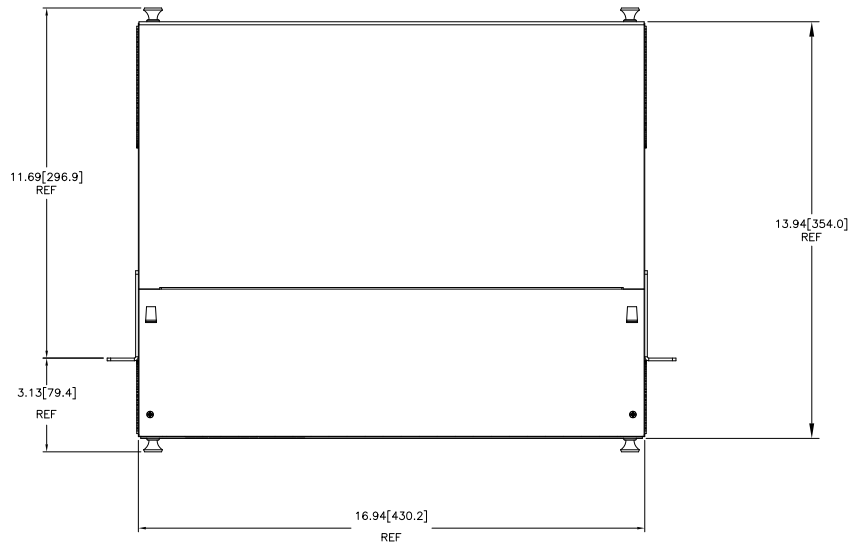
Contact us

Tel: +86-755-8981 8866 Fax: +86-755-8427 6832

Email & Skype: info@chipsmall.com Web: www.chipsmall.com

Address: A1208, Overseas Decoration Building, #122 Zhenhua RD., Futian, Shenzhen, China





INVENTORS	HellermanTyton		
	ALL PROPRIETARY RIGHTS IN THE SUBJECT MATTER SHOWN ON THIS DRAWING ARE EXCLUSIVE PROPERTY OF HELLERMANNITYTON		
	name	date	city, state

NOTES

REVISIONS	R level	⚠
	A date	02/26/14
	I by	AAC
	ECN #	012592
	part level	A

DIMENSIONS	.XXXX = ±.0005
	.XXX = ±.005
	.XX = ±.01
	.X = ±.03
	∠ = ±0.5° unless otherwise specified

PART

number	FERM2U	phase	PRODUCTION
name	RACK MOUNT FIBER ENCLOSURE 2U		
material	STEEL - BLACK FINISH		

DRAWING	format	0	revision	0	date	02/26/14	checked	K.A.C.	approved	02/26/14	sheet	1 of 1
	computer file number	F:\CST\3001024_01										
	project number											
	customer	CUSTOMER										
	number	FI3001024CST										