



Chipsmall Limited consists of a professional team with an average of over 10 year of expertise in the distribution of electronic components. Based in Hongkong, we have already established firm and mutual-benefit business relationships with customers from,Europe,America and south Asia,supplying obsolete and hard-to-find components to meet their specific needs.

With the principle of “Quality Parts,Customers Priority,Honest Operation,and Considerate Service”,our business mainly focus on the distribution of electronic components. Line cards we deal with include Microchip,ALPS,ROHM,Xilinx,Pulse,ON,Everlight and Freescale. Main products comprise IC,Modules,Potentiometer,IC Socket,Relay,Connector.Our parts cover such applications as commercial,industrial, and automotives areas.

We are looking forward to setting up business relationship with you and hope to provide you with the best service and solution. Let us make a better world for our industry!



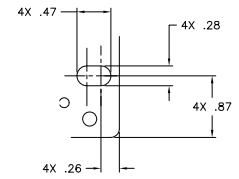
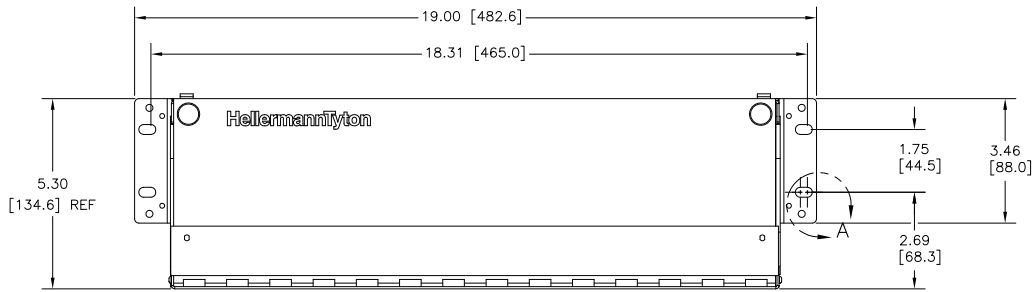
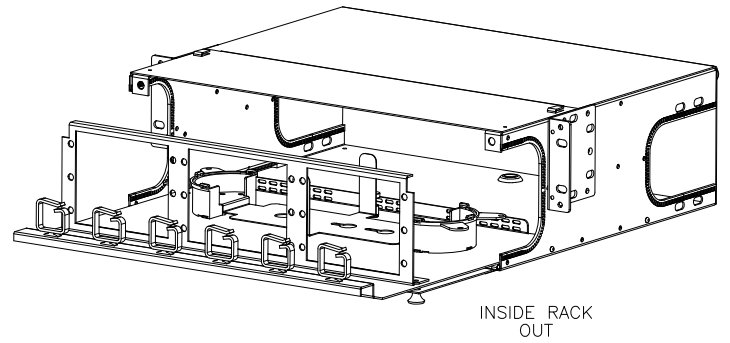
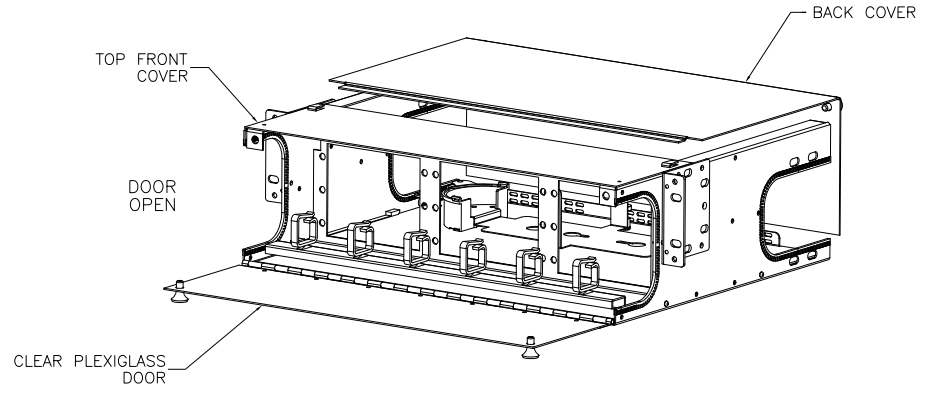
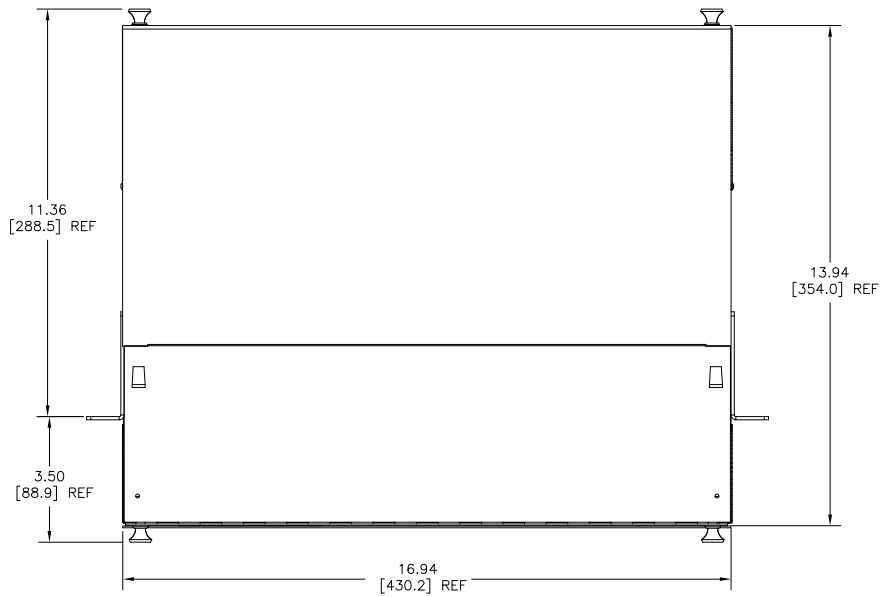
Contact us

Tel: +86-755-8981 8866 Fax: +86-755-8427 6832

Email & Skype: info@chipsmall.com Web: www.chipsmall.com

Address: A1208, Overseas Decoration Building, #122 Zhenhua RD., Futian, Shenzhen, China





DETAIL A
SCALE 2:1

HellermannTyton
 ALL PROPRIETARY RIGHTS IN THE SUBJECT MATTER SHOWN ON THIS DRAWING ARE EXCLUSIVE PROPERTY OF HELLERMANNTYTON

name	date	city, state

NOTES

REVISIONS

RD level	
AW date	03/03/14
IS by	AAC
GC ECN #	012592
IN part level	A

DIMENSIONS

XXX= ±.0005
 .XXX= ±.005
 .XX= ±.01
 .X= ±.03
 ∠= ±0.5°
 unless otherwise specified
 units inches

PART

number	FERM3U	phase	PRODUCTION
name	RACK MOUNT FIBER ENCLOSURE 3U		
material	STEEL - BLACK FINISH		

DRAWING

revision	0	revision	0	date	03/03/14	date	03/03/14	scale	1X
computer file number	FI\CS7\3001025_01	job	ACAD	project number		approved		sheet	1 of 1
type	CUSTOMER	number	FI3001025CST						