



Chipsmall Limited consists of a professional team with an average of over 10 year of expertise in the distribution of electronic components. Based in Hongkong, we have already established firm and mutual-benefit business relationships with customers from,Europe,America and south Asia,supplying obsolete and hard-to-find components to meet their specific needs.

With the principle of “Quality Parts,Customers Priority,Honest Operation,and Considerate Service”,our business mainly focus on the distribution of electronic components. Line cards we deal with include Microchip,ALPS,ROHM,Xilinx,Pulse,ON,Everlight and Freescale. Main products comprise IC,Modules,Potentiometer,IC Socket,Relay,Connector.Our parts cover such applications as commercial,industrial, and automotives areas.

We are looking forward to setting up business relationship with you and hope to provide you with the best service and solution. Let us make a better world for our industry!



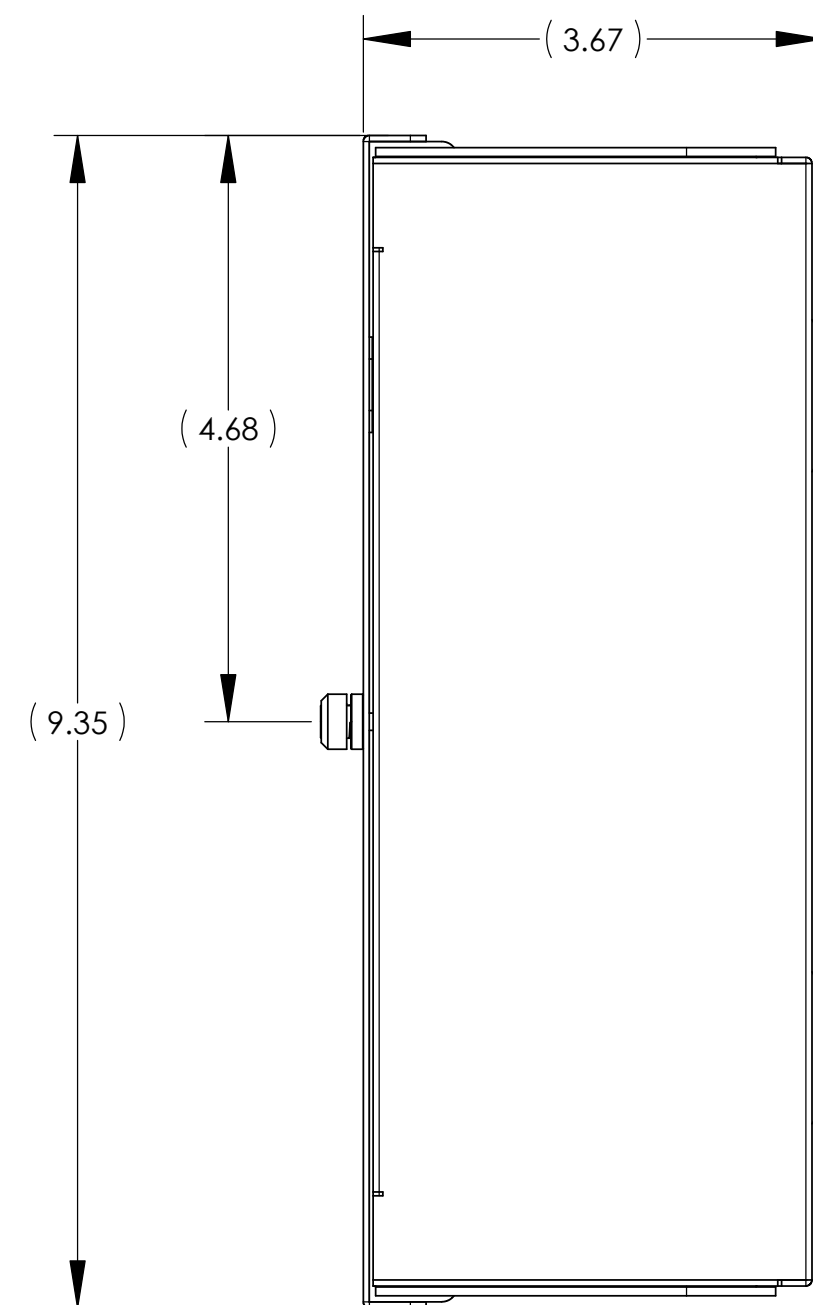
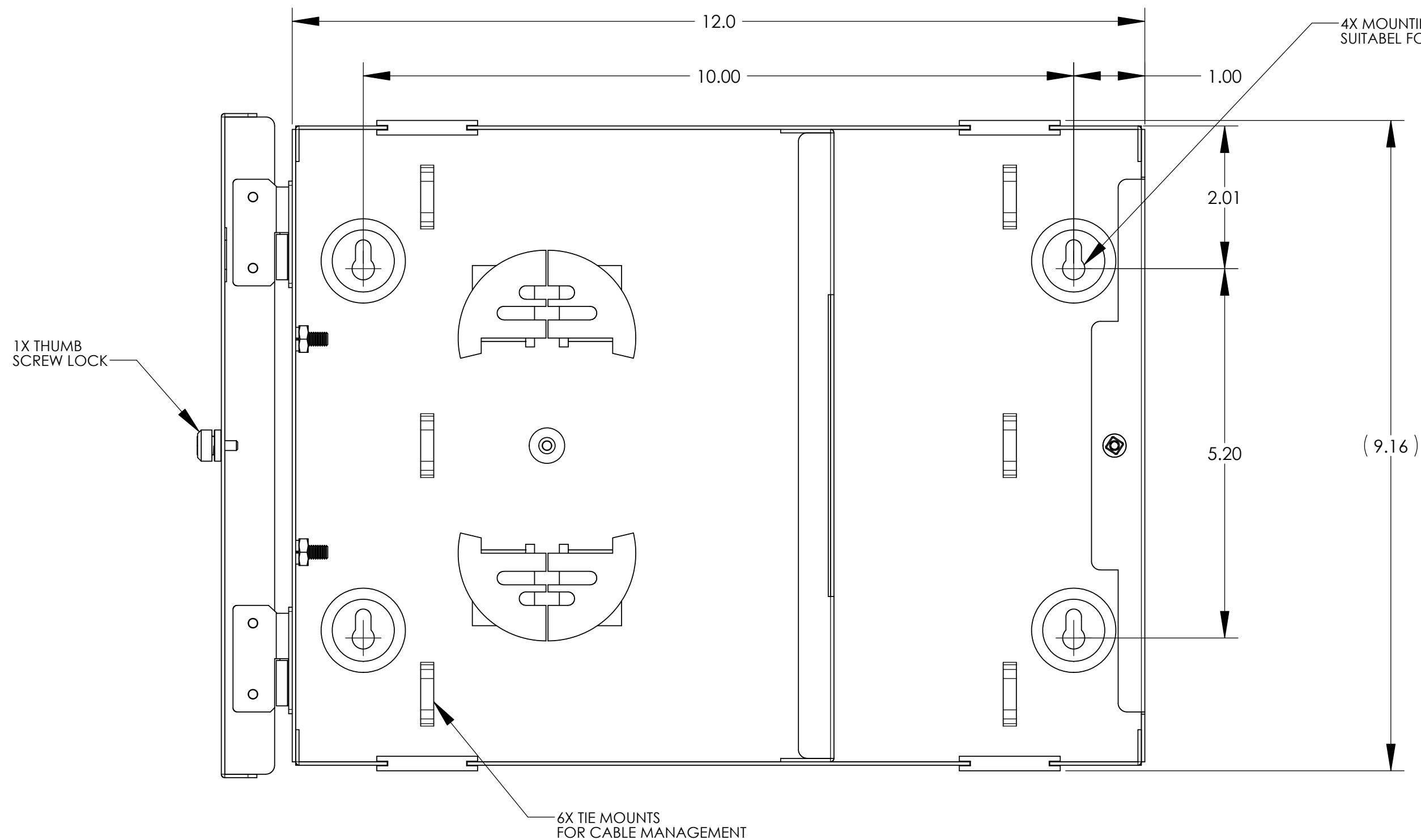
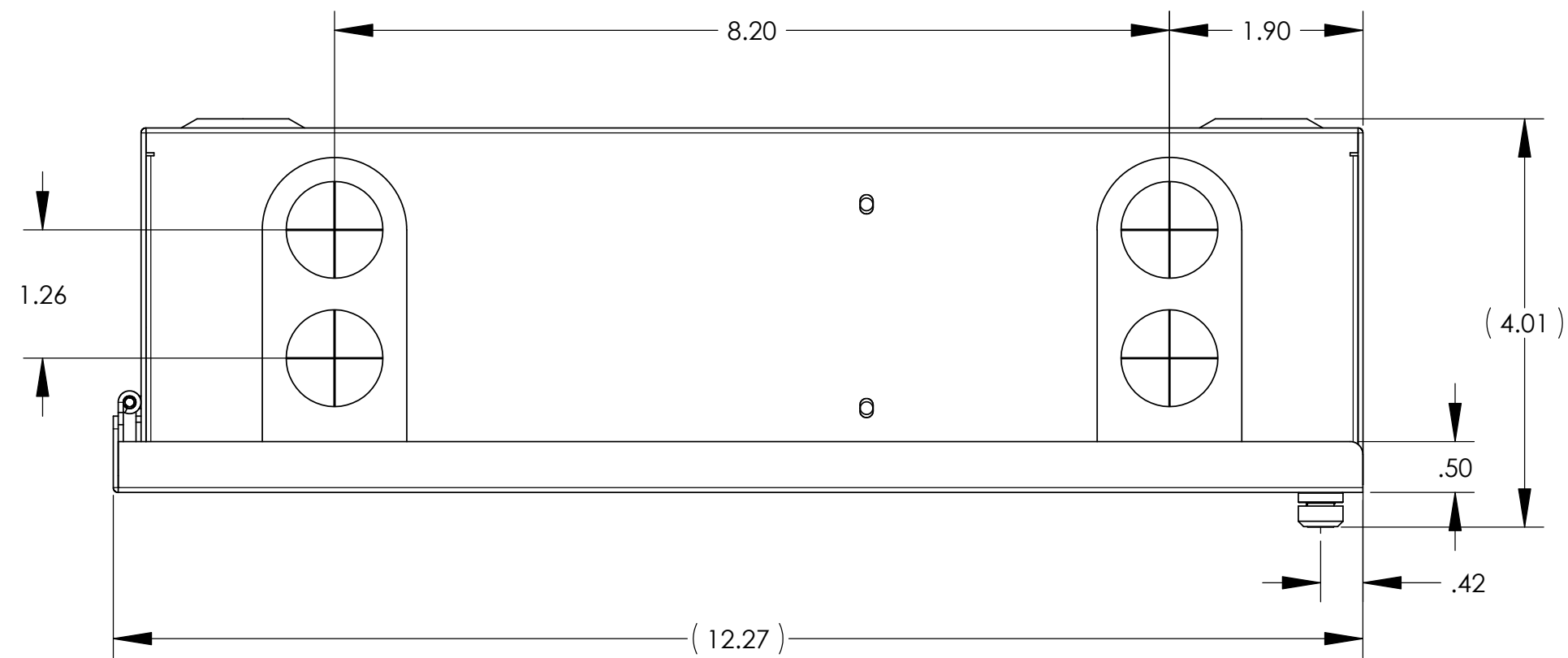
## Contact us

Tel: +86-755-8981 8866 Fax: +86-755-8427 6832

Email & Skype: info@chipsmall.com Web: www.chipsmall.com

Address: A1208, Overseas Decoration Building, #122 Zhenhua RD., Futian, Shenzhen, China





**HellermannTyton**  
 ALL PROPRIETARY RIGHTS IN THE SUBJECT MATTER SHOWN ON THIS DRAWING ARE EXCLUSIVE PROPERTY OF HELLERMANN TYTON

name	date	city, state

NOTES

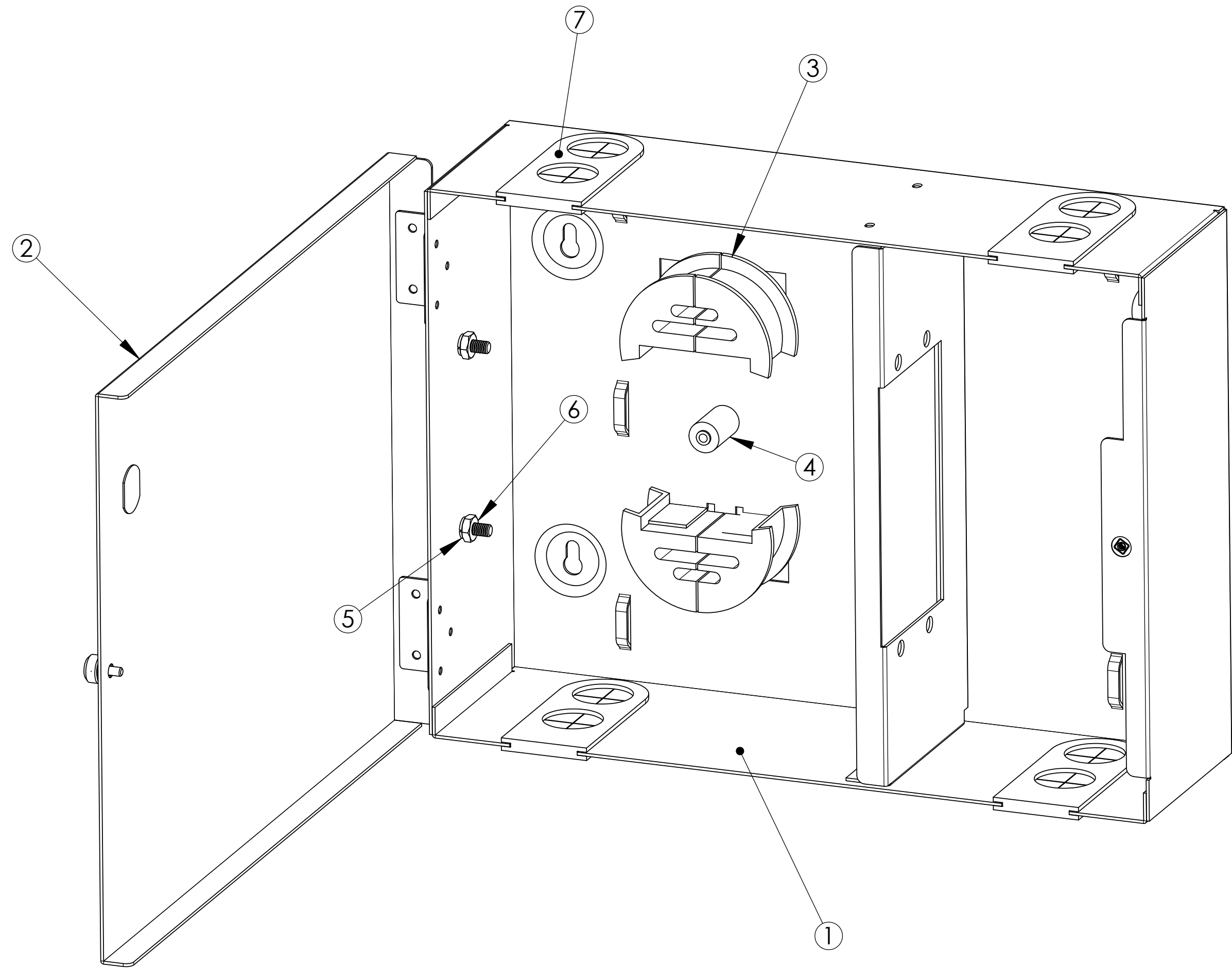
REVISION  
 level **01**  
 by AAC  
 date 08/02/2006  
 ECN # 010482  
 part level -

TOLERANCES  
 .XXXX = ±.0005  
 .XXX = ±.005  
 .XX = ±.01  
 .X = ±.03  
 ∠ = ±0.5°  
 unless otherwise specified  
 units inches

PART  
 number FEWM12 phase Production  
 name FIBER OPTIC CABLE WALL MOUNT ENCLOSURE  
 material SEE CHART SHEET 2

DRAWING  
 formal version N C CAD SW 2006 scale 1:1.5  
 computer file name MI06-021-001CST\_01 previous drawing number  
 drawn AAC checked KAC approved  
 date 08/02/2006 checked 08/07/2006 approved  
 type Customer sheet 1 of 2  
 number MI06-021-001CST

ITEM NO.	QTY	Description
1	1	ENCLOSURE SUB ASSY
2	1	DOOR ASSY
3	4	WIRE ROUTER
4	1	STANDOFF
5	2	#10 LOCK WASHER, SPRING SS
6	2	10-32 HEX NUT 18-18 SS
7	4	GROMMET



**HellermannTyton**  
 ALL PROPRIETARY RIGHTS IN THE SUBJECT MATTER SHOWN ON THIS DRAWING ARE EXCLUSIVE PROPERTY OF HELLERMANN TYTON

name	date	city, state

NOTES

REVISION	level	01
DRAWN	by	AAC
DATE	date	08/02/2006
ECN #	ECN #	010482
part level		-

TOLERANCES	.XXXX = ±.0005
	.XXX = ±.005
	.XX = ±.01
	.X = ±.03
	∠ = ±0.5°
	unless otherwise specified
units	inches

number	FEWM12	phase	Production
name	FIBER OPTIC CABLE WALL MOUNT ENCLOSURE		
material	SEE CHART SHEET 2		

format version N	C	CAD	SW 2006	scale	1:1.5
computer file name	MI06-021-001CST_01				
drawn	AAC	checked	KAC	approved	
date	08/02/2006	date	08/07/2006	date	
type	Customer	sheet	2 of 2		
number	MI06-021-001CST				