



Chipsmall Limited consists of a professional team with an average of over 10 year of expertise in the distribution of electronic components. Based in Hongkong, we have already established firm and mutual-benefit business relationships with customers from,Europe,America and south Asia,supplying obsolete and hard-to-find components to meet their specific needs.

With the principle of “Quality Parts,Customers Priority,Honest Operation,and Considerate Service”,our business mainly focus on the distribution of electronic components. Line cards we deal with include Microchip,ALPS,ROHM,Xilinx,Pulse,ON,Everlight and Freescale. Main products comprise IC,Modules,Potentiometer,IC Socket,Relay,Connector.Our parts cover such applications as commercial,industrial, and automotives areas.

We are looking forward to setting up business relationship with you and hope to provide you with the best service and solution. Let us make a better world for our industry!



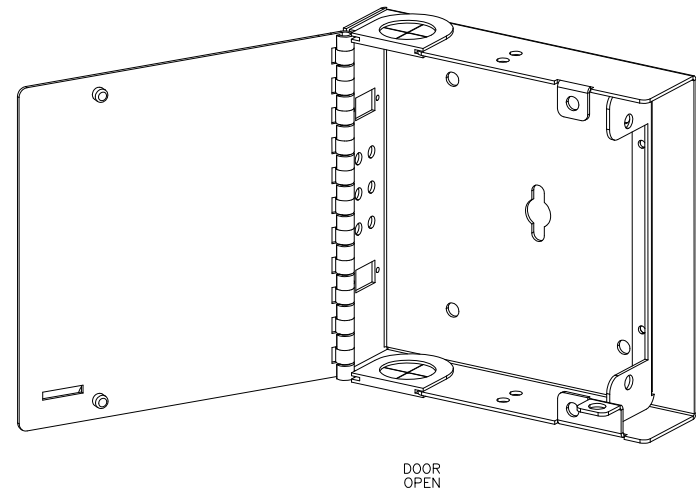
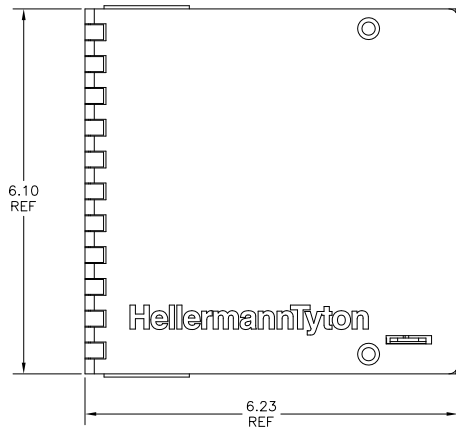
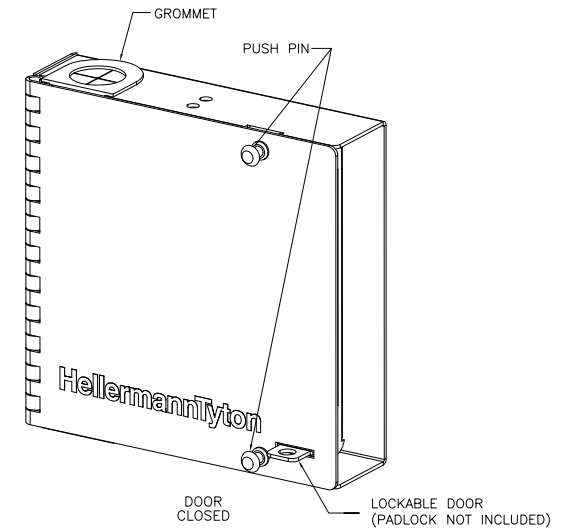
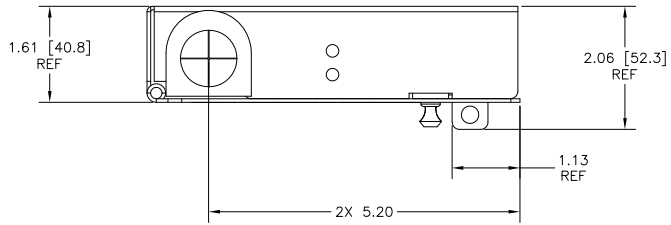
Contact us

Tel: +86-755-8981 8866 Fax: +86-755-8427 6832

Email & Skype: info@chipsmall.com Web: www.chipsmall.com

Address: A1208, Overseas Decoration Building, #122 Zhenhua RD., Futian, Shenzhen, China





HellermannTyton		
ALL PROPRIETARY RIGHTS IN THE SUBJECT MATTER SHOWN ON THIS DRAWING ARE EXCLUSIVE PROPERTY OF HELLERMANN TYTON		
name	date	city, state

NOTES

REV	level	
AW	date	03/05/14
SI	by	AAC
ION	ECN #	012592
IN	part level	A

DIMENSIONS	.XXXX = ±.0005
	.XXX = ±.005
	.XX = ±.01
	.X = ±.03
	∠ = ±0.5° unless otherwise specified
units	inches

PART	number	F6WM6	phase	PRODUCTION
	name	6 PORT FIBER WALL MOUNT ENCLOSURE		
	material	STEEL - BLACK FINISH		

DRAWING	format	0	revision	0	date	03/05/14	scale	1X
	company file number	FI/CST/3001027_01		project number				
	checked	A.A.C.	approved					
	type	CUSTOMER		sheet	1 of 1			
number	FI3001027CST							