



Chipsmall Limited consists of a professional team with an average of over 10 year of expertise in the distribution of electronic components. Based in Hongkong, we have already established firm and mutual-benefit business relationships with customers from,Europe,America and south Asia,supplying obsolete and hard-to-find components to meet their specific needs.

With the principle of “Quality Parts,Customers Priority,Honest Operation,and Considerate Service”,our business mainly focus on the distribution of electronic components. Line cards we deal with include Microchip,ALPS,ROHM,Xilinx,Pulse,ON,Everlight and Freescale. Main products comprise IC,Modules,Potentiometer,IC Socket,Relay,Connector.Our parts cover such applications as commercial,industrial, and automotives areas.

We are looking forward to setting up business relationship with you and hope to provide you with the best service and solution. Let us make a better world for our industry!



## Contact us

Tel: +86-755-8981 8866 Fax: +86-755-8427 6832

Email & Skype: info@chipsmall.com Web: www.chipsmall.com

Address: A1208, Overseas Decoration Building, #122 Zhenhua RD., Futian, Shenzhen, China



REV.	DATE	DCN NO.	DESCRIPTION	DR.	CHK.	APPD.	APPD.
2	19.Oct.2005	058469	ADDED NEW ITEMS		K.INOUE		O.HASHIGUCHI
3	24.Nov.2005	058588	ADDED NEW ITEMS		K.INOUE		O.HASHIGUCHI

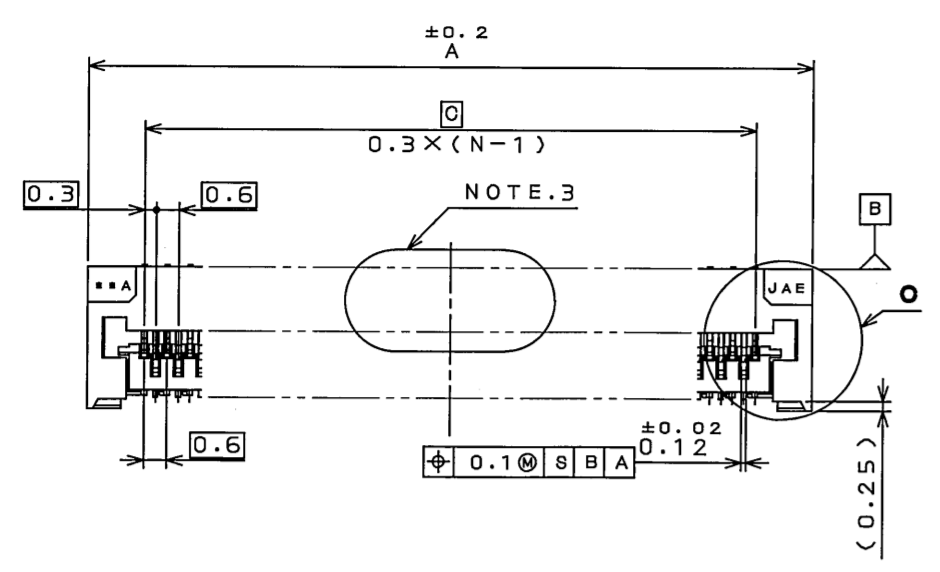
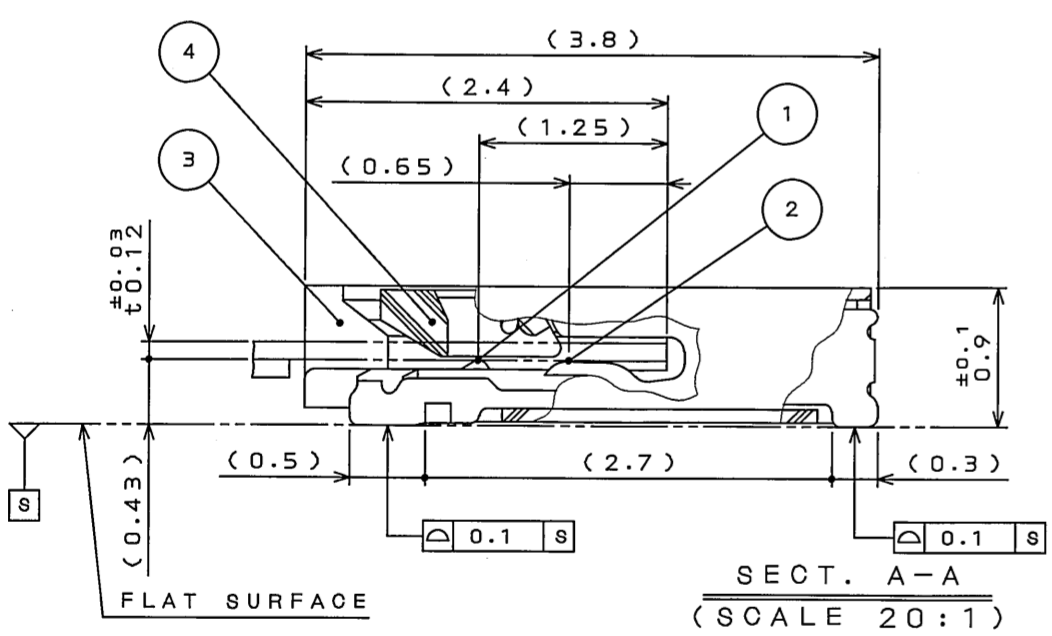
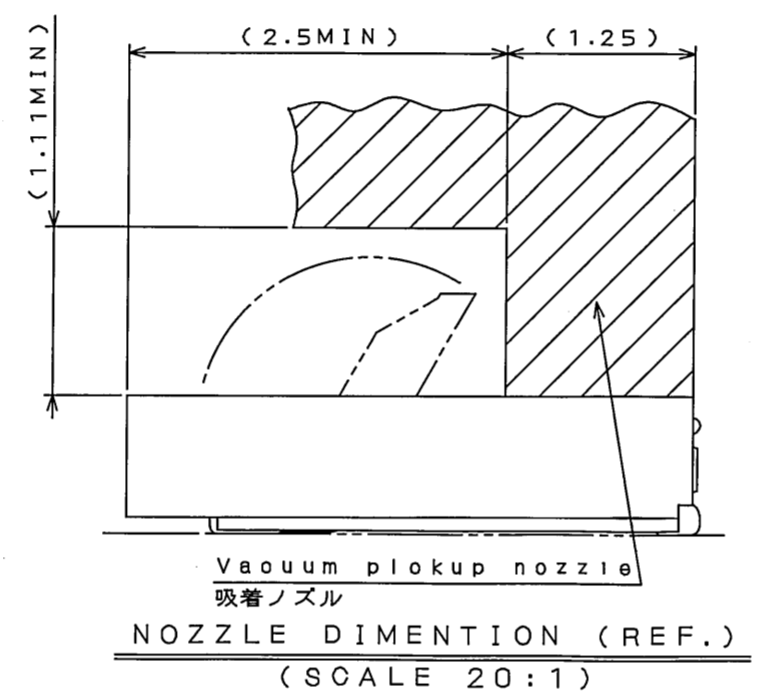
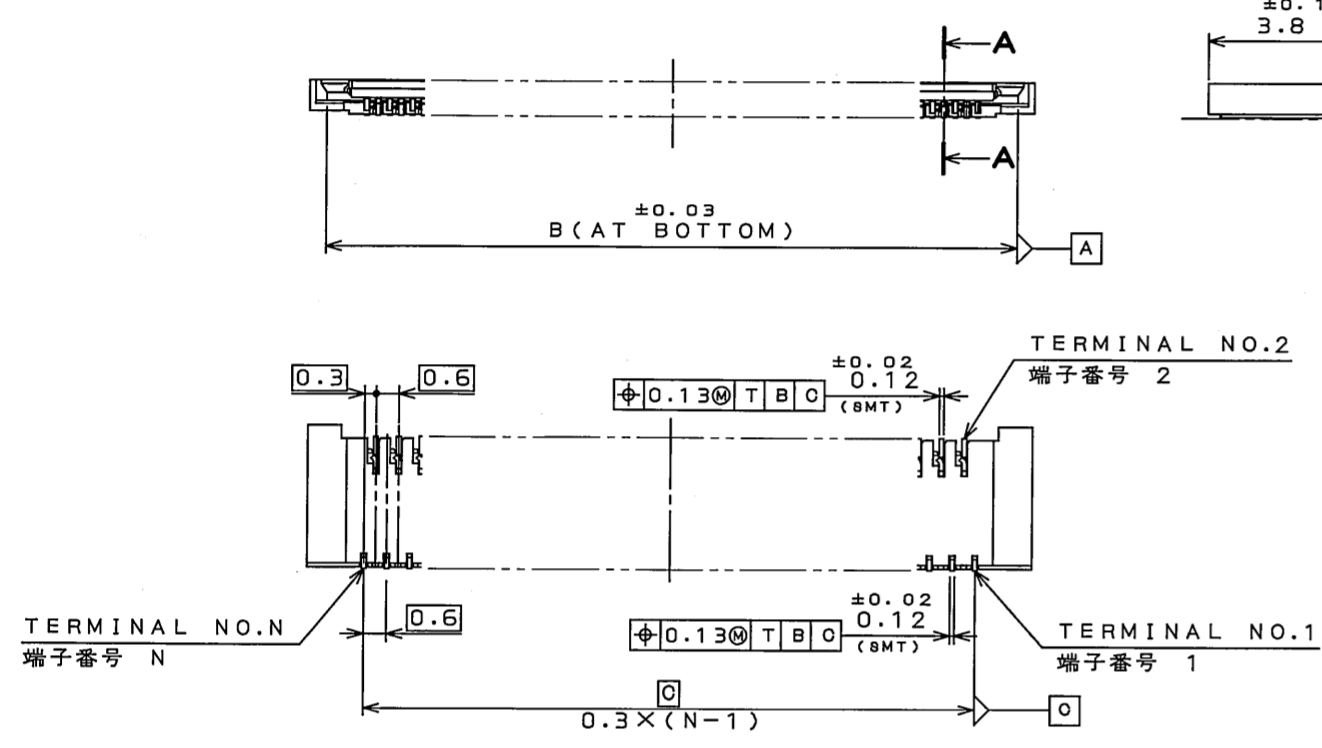
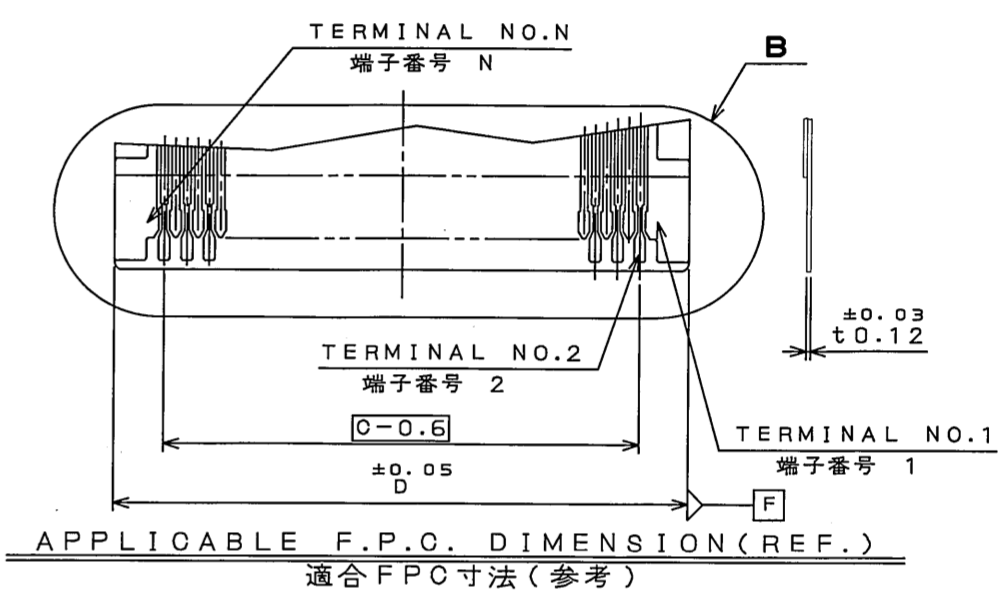
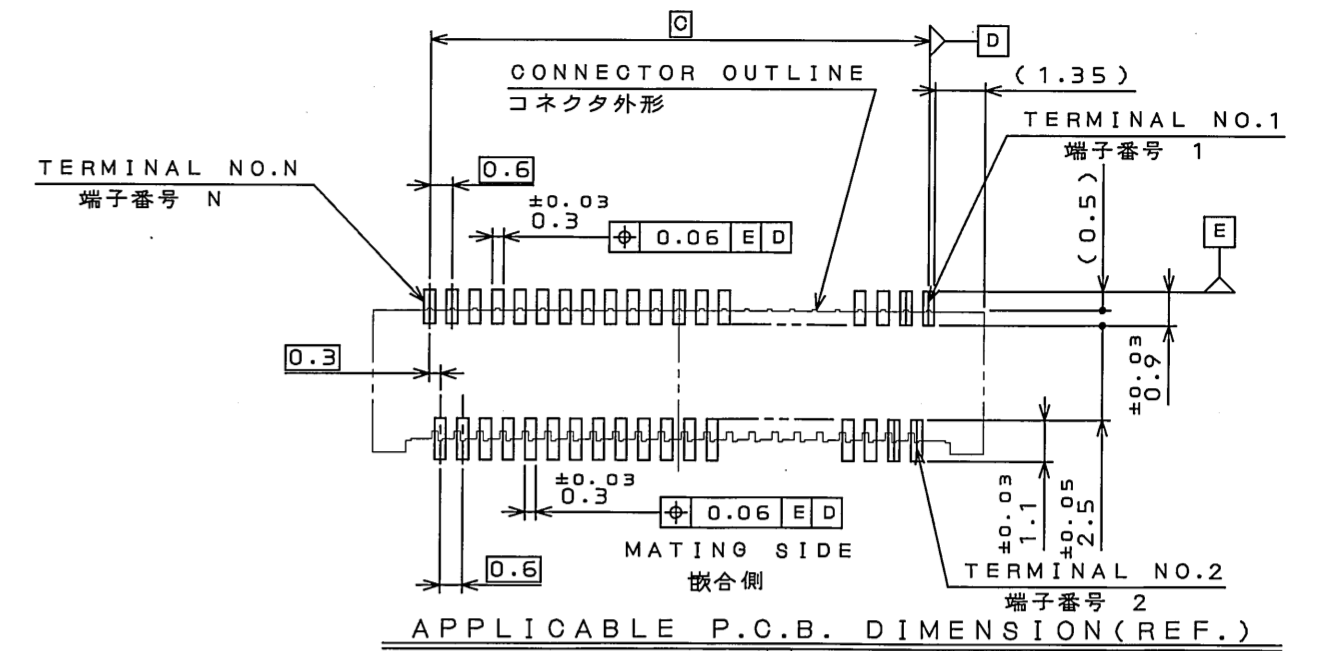


TABLE 1

PRODUCT NO. 品名	A	B	C	D
FF028658V1	22.2	21.31	19.2	21.24
FF028558V1	19.2	18.31	16.2	18.24
FF028458V1	16.2	15.31	13.2	15.24
FF028358V1	13.2	12.31	10.2	12.24
FF028338V1	12.6	11.71	9.6	11.64
FF028318V1	12.0	11.11	9.0	11.04
FF028298V1	11.4	10.51	8.4	10.44
FF028278V1	10.8	9.91	7.8	9.84
FF028258V1	10.2	9.31	7.2	9.24
FF028178V1	7.8	6.91	4.8	6.84
FF028158V1	7.2	6.31	4.2	6.24



NOTE 1. REFER TO TABLE2 ABOUT RECOMMENDED FPC COMPOSITION.  
 NOTE 2. TOERANCE OF DIMENSION D IS RECOMMENDED TO BE ±0.05 IN ORDER TO IMPROOVE PRECISION OF PITCH POSITIONING AND CONNECTION RELIABILITY.  
 NOTE 3. LOT NUMBER IS MARKED ON THE TOP CENTER PORTION OF THE CONNECTOR.

注1. 推奨FPC構成はTABLE2参照のこと。  
 注2. 寸法Dはピッチ方向の位置決め精度を高め接触信頼性を高めるために±0.05を推奨する。  
 注3. ロット番号がコネクタ上面中央部に表記される。

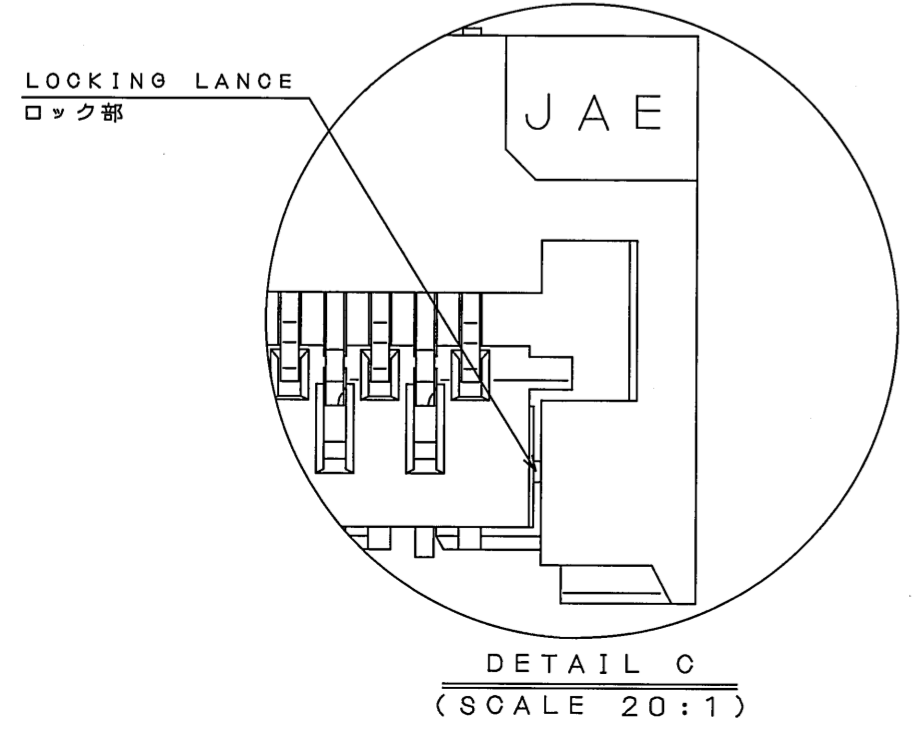
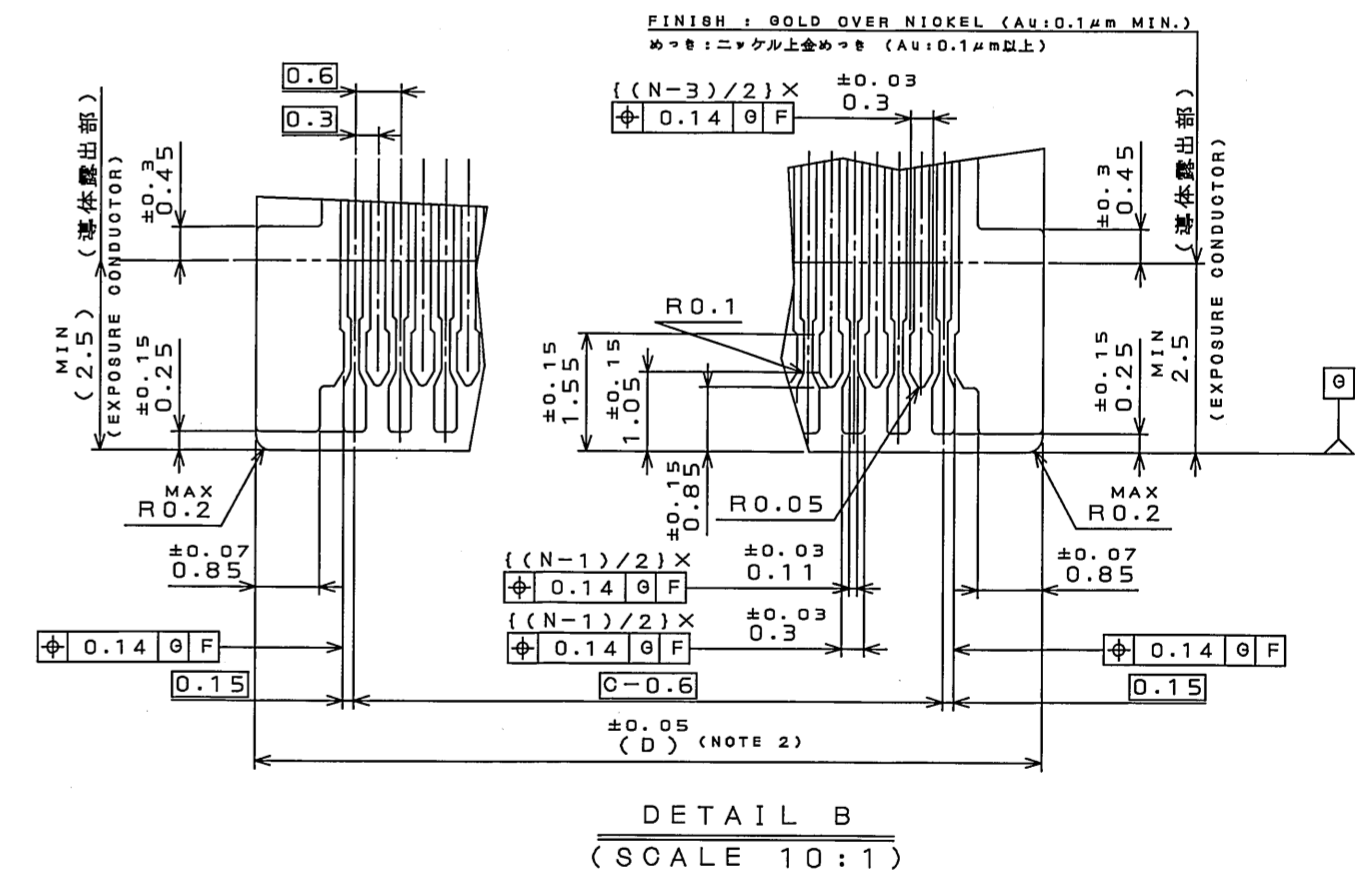


TABLE 2

COMPOSITION 層名		RECOMMENDED 推奨
GOLD PLATING 金めっき	ELECTROLYSIS PLATING 電解めっき	0.1μm MIN
NICKEL PLATING ニッケルめっき	ELECTROLYSIS PLATING 電解めっき	SOFT TYPE IF AVAILABLE
COPPER 銅箔	ROLLED MATERIAL 圧延銅	NOMINAL 18μm MAX
ADHESIVE 接着剤	THERMOSETTING ADHESIVE 熱硬化性	NONE (RECOMMENDED)
BASE FILM ベースフィルム	POLYIMIDE ポリイミド	25μm
ADHESIVE 接着剤	THERMOSETTING ADHESIVE 熱硬化性	30μm MAX
REINFORCE PLATE 補強板	POLYIMIDE ポリイミド	

4	ACTUATOR アクチュエータ	1	PPS		COLOR:BLACK/色相:黒 UL94V-0
3	BASE INSULATOR ベースインシュレータ	1	LCP		COLOR:WHITE/色相:白 UL94V-0
2	CONTACT 2 コンタクト 2	(N-1) 2	COPPER ALLOY 銅合金		PARTIAL GOLD OVER NICKEL(AU:0.1μm MIN.) ニッケル上部分鍍金(AU:0.1μm 以上)
1	CONTACT 1 コンタクト 1	(N+1) 2	COPPER ALLOY 銅合金		PARTIAL GOLD OVER NICKEL (CONTACT) (AU:0.1μm MIN.) ニッケル上部分鍍金 (CONTACT) (AU:0.1μm 以上)
符号 NO.	名称 DESCRIPTION	個数 QTY.	材料 MATERIAL	仕 FINISH	備考 REMARKS
仕様書 (SPECIFICATION)	第1版 (ORIGINAL DATE) 14.Jul.2005	尺 SCALE	5:1	シリーズ (SERIES) FF02S	日本航空電子工業株式会社 JAPAN AVIATION ELECTRONICS INDUSTRY, LTD.
公差 (GENERAL TOLERANCE)	製造 DR.	名称 (TITLE) FF02S * * SV1	(ODD NUMBER OF CONTACTS) (奇数芯数)		
寸法 (DIMENSION)	担当 CHK. K.INOUE	承認 APPD.			
. ±0.8	承認 APPD.	承認 APPD.	O.HASHIGUCHI	質量 (MASS)	図面番号 (DRAWING NO.) SJ104079
.X ±0.4	承認 APPD.				版数 (REV.) 3
.XX ±0.1					
.XXX ±					