



Chipsmall Limited consists of a professional team with an average of over 10 year of expertise in the distribution of electronic components. Based in Hongkong, we have already established firm and mutual-benefit business relationships with customers from,Europe,America and south Asia,supplying obsolete and hard-to-find components to meet their specific needs.

With the principle of “Quality Parts,Customers Priority,Honest Operation,and Considerate Service”,our business mainly focus on the distribution of electronic components. Line cards we deal with include Microchip,ALPS,ROHM,Xilinx,Pulse,ON,Everlight and Freescale. Main products comprise IC,Modules,Potentiometer,IC Socket,Relay,Connector.Our parts cover such applications as commercial,industrial, and automotives areas.

We are looking forward to setting up business relationship with you and hope to provide you with the best service and solution. Let us make a better world for our industry!



## Contact us

Tel: +86-755-8981 8866 Fax: +86-755-8427 6832

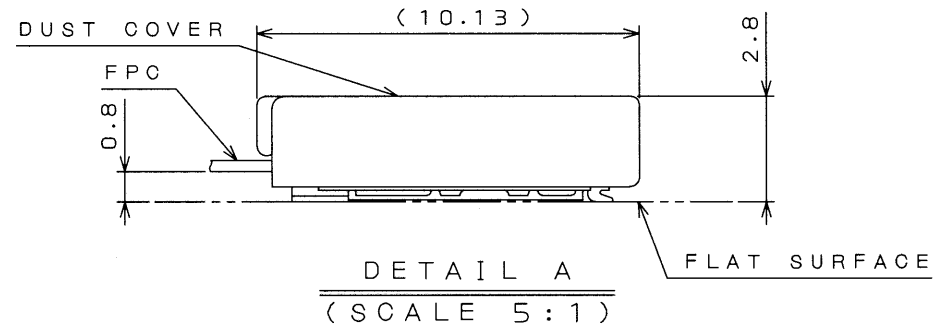
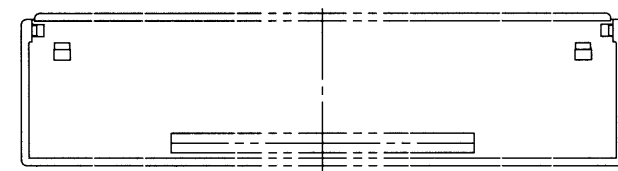
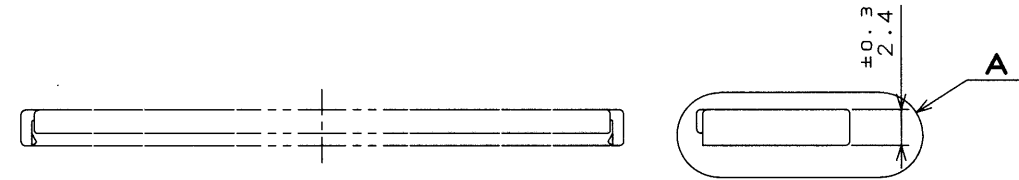
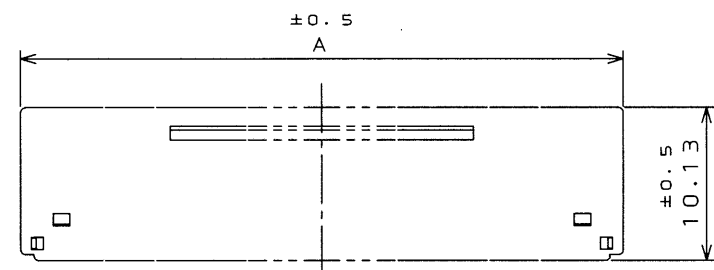
Email & Skype: info@chipsmall.com Web: www.chipsmall.com

Address: A1208, Overseas Decoration Building, #122 Zhenhua RD., Futian, Shenzhen, China

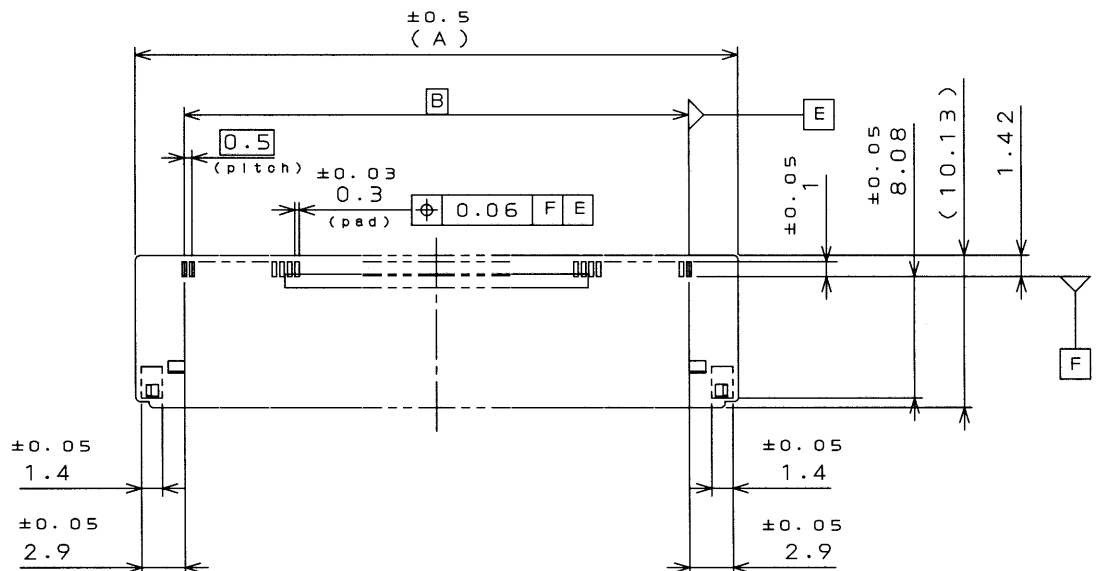
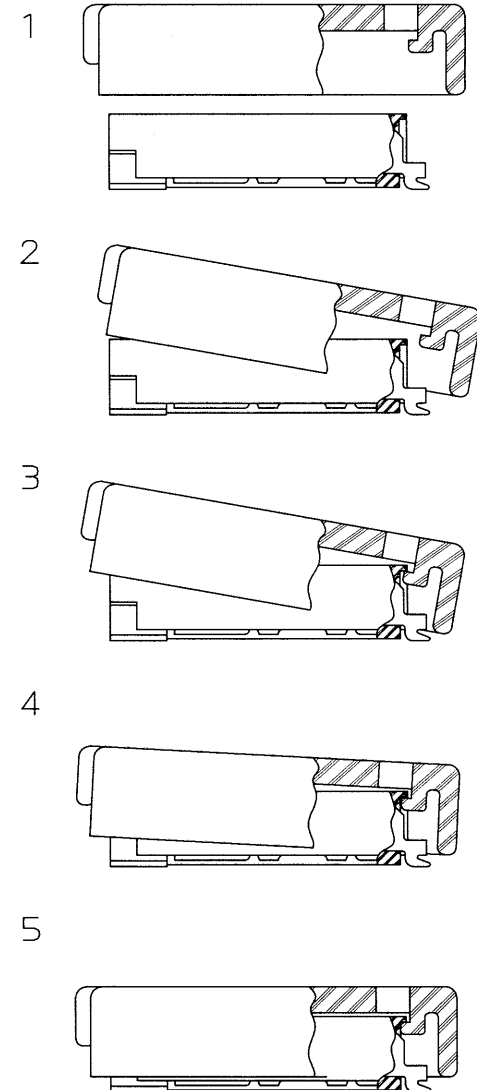


9599E01S  
(DRAWING NO.)

版数 REV.	年月日 DATE	DCN NO.	変更内容 DESCRIPTION	製図 DR.	担当 CHK.	査閲 APPD.	承認 APPD.
2	15.Apr.2002	49807	materials change		T.Nemoto		Y.TATEBE
3	24.Jul.2002	50355	a name change		T.Nemoto		Y.Tatebe



INSTALLATION  
(ダストカバー取付け方法)



POSITION OF COVER (SCALE 2:1)  
基板パッドとダストカバーの配置

TABLE 1

	A	B
FF0368SA1	40.04	33.5

1	DUST COVER	2009	△ GLASS FILLED Ny	COLOR: BLACK
符号 NO.	名称 DESCRIPTION	個数 QTY.	材料 MATERIAL	備考 REMARKS
仕様書 (SPECIFICATION)	第1版 (ORIGINAL DATE) 2002.3.1	仕上 FINISH 2:1	FF03	日本航空電子工業株式会社 JAPAN AVIATION ELECTRONICS INDUSTRY, LTD.
公差 (GENERAL TOLERANCE)	製図 DR.	担当 CHK. T.Nemoto	名称 (TITLE) FF03**SADC-P2000	図面番号 (DRAWING NO.) SJ036656
寸法 (DIMENSION)	製図 DR.	査閲 APPD.	承認 APPD. Y.Tatebe	
角度 (ANGLES)	重量 (WEIGHT)			
· ±0.8 · X ±0.4 · XX ±0.1 · XXX ±	· X° ± · XX° ±			

△ [ Packing ways and quantities ]  
・ There are 4 bags (500PCS/bag) in an external box.

△ [ 梱包方法及び数量 ]  
・ 「FF03\*\*SADC」500個を袋 (チャック付きポリエチレン袋) に入れ、1箱に500個入りの4袋を梱包し、2,000個としたものを1パックとする。

DOF-0-212D(98.02)



CDS02-580-10045

SIZE A3

版数 (REV.)  
3