



Chipsmall Limited consists of a professional team with an average of over 10 year of expertise in the distribution of electronic components. Based in Hongkong, we have already established firm and mutual-benefit business relationships with customers from,Europe,America and south Asia,supplying obsolete and hard-to-find components to meet their specific needs.

With the principle of “Quality Parts,Customers Priority,Honest Operation,and Considerate Service”,our business mainly focus on the distribution of electronic components. Line cards we deal with include Microchip,ALPS,ROHM,Xilinx,Pulse,ON,Everlight and Freescale. Main products comprise IC,Modules,Potentiometer,IC Socket,Relay,Connector.Our parts cover such applications as commercial,industrial, and automotives areas.

We are looking forward to setting up business relationship with you and hope to provide you with the best service and solution. Let us make a better world for our industry!



## Contact us

Tel: +86-755-8981 8866 Fax: +86-755-8427 6832

Email & Skype: info@chipsmall.com Web: www.chipsmall.com

Address: A1208, Overseas Decoration Building, #122 Zhenhua RD., Futian, Shenzhen, China



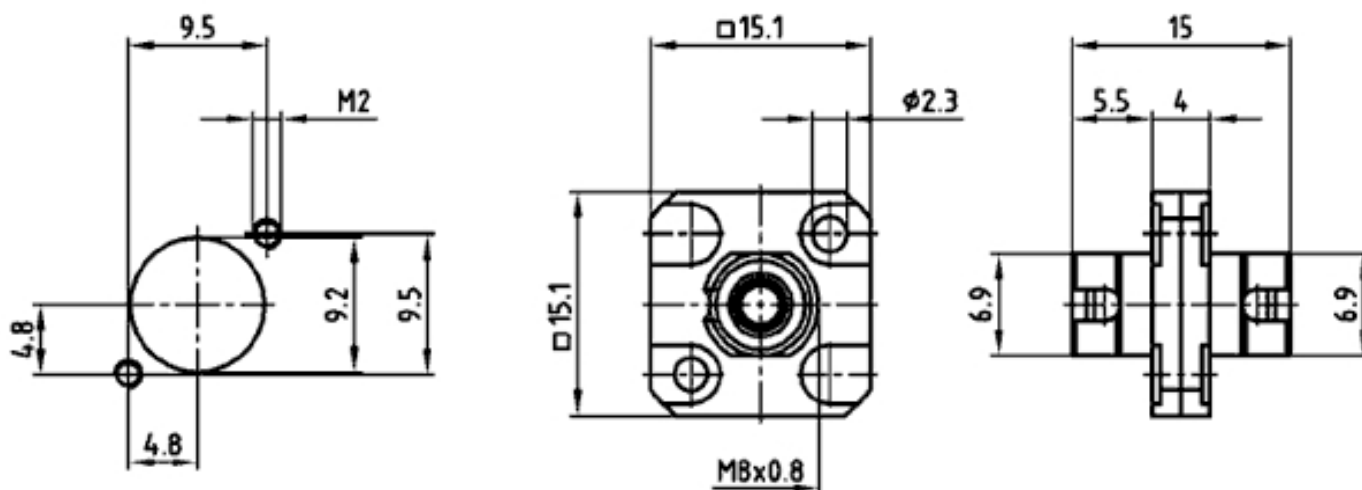


**FC-Simplex-Metal Adapters**  
Singlemode / Multimode

Directive 2002/95/EC  
„RoHS“  
Compliant

( click on the schematic(s) for a more detailed view )

Mounting cutout



KAT1iWHA

**Technical Data**-----

- ? Housing material: Metal
- ? Plating: Nickel
- ? Sleeve: Phosphor-Bronze  
Ceramic
- ? Adapters are supplied with dust caps

Kat 1 i WHA

**Order Table**-----

SM / MM ( Singlemode/Multimode )	Sleeve	Outer housing colour	Part number
SM/APC 8° = Singlemode	ceramic	zinc diecast	FFCFFC213CCC0X
SM = Singlemode	ceramic	zinc diecast	FFCFFC212CCC0X
MM = Multimode	ceramic	zinc diecast	FFCFFC211CCC0X
MM = Multimode	phosphor-bronze	zinc diecast	FFCFFC211BCC0X