



Chipsmall Limited consists of a professional team with an average of over 10 year of expertise in the distribution of electronic components. Based in Hongkong, we have already established firm and mutual-benefit business relationships with customers from,Europe,America and south Asia,supplying obsolete and hard-to-find components to meet their specific needs.

With the principle of “Quality Parts,Customers Priority,Honest Operation,and Considerate Service”,our business mainly focus on the distribution of electronic components. Line cards we deal with include Microchip,ALPS,ROHM,Xilinx,Pulse,ON,Everlight and Freescale. Main products comprise IC,Modules,Potentiometer,IC Socket,Relay,Connector.Our parts cover such applications as commercial,industrial, and automotives areas.

We are looking forward to setting up business relationship with you and hope to provide you with the best service and solution. Let us make a better world for our industry!



Contact us

Tel: +86-755-8981 8866 Fax: +86-755-8427 6832

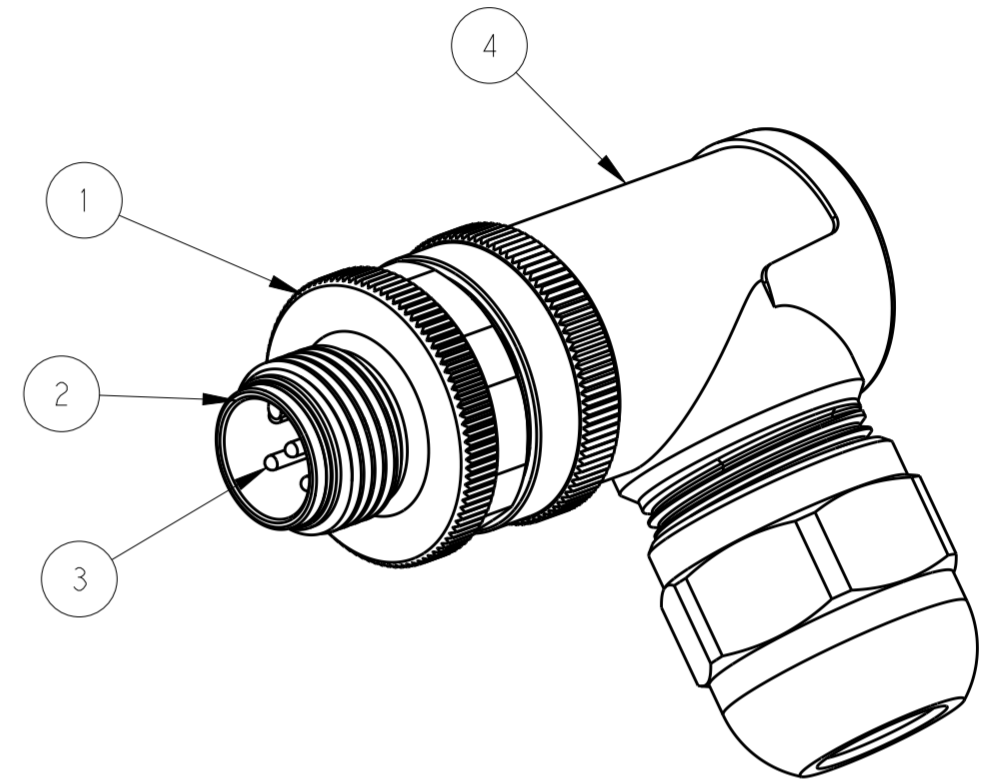
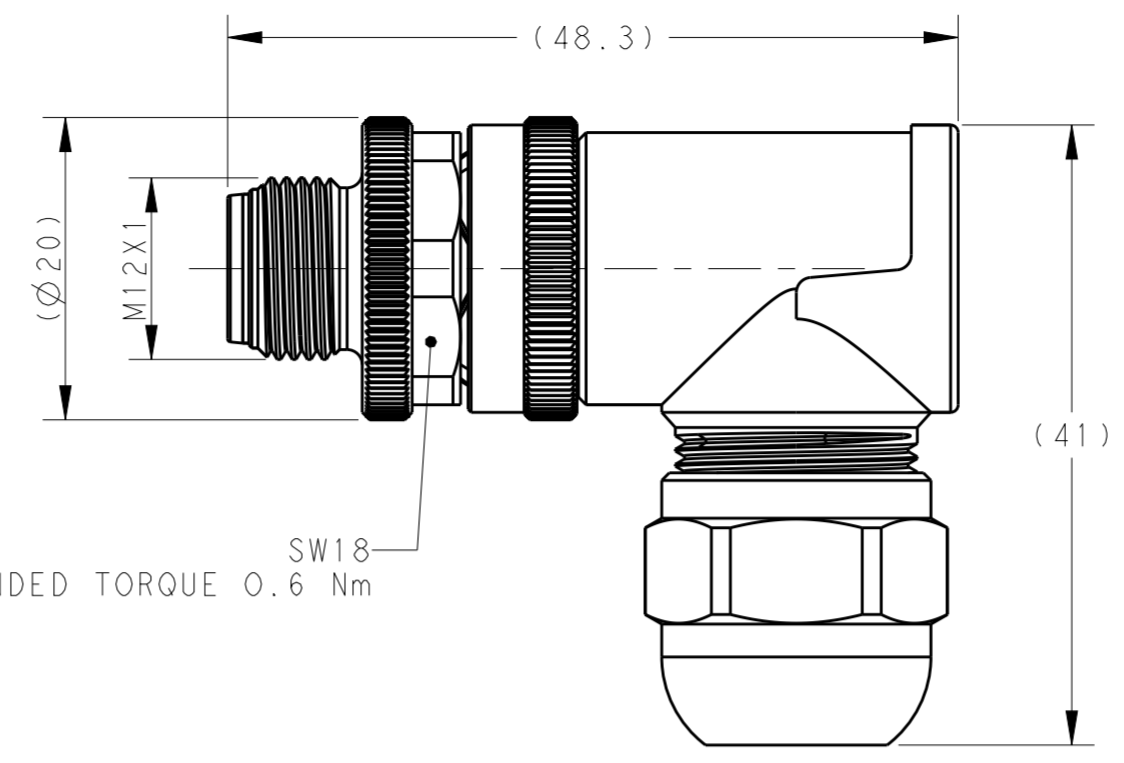
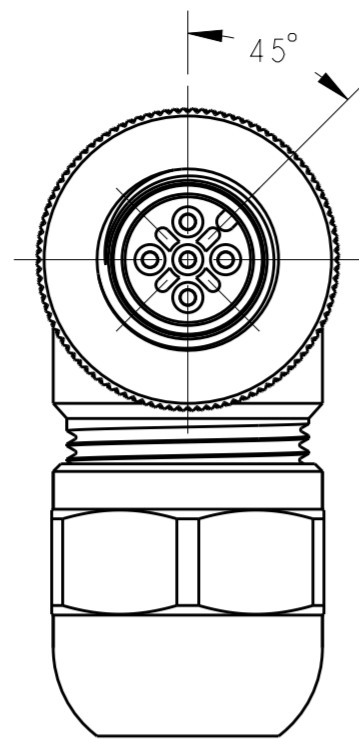
Email & Skype: info@chipsmall.com Web: www.chipsmall.com

Address: A1208, Overseas Decoration Building, #122 Zhenhua RD., Futian, Shenzhen, China



THIS DRAWING IS UNPUBLISHED. RELEASED FOR PUBLICATION 20
 © COPYRIGHT 20 BY - ALL RIGHTS RESERVED.

REVISIONS					
P	LTR	DESCRIPTION	DATE	DWN	APVD
A		INITIAL RELEASE	25SEP2015	N.P	X.X
A1		ECR-16-013861	16OCT2016	N.P	X.X
A2		ECR-16-016026	14NOV2016	N.P	X.X



TECHNICAL DATA	T411301X02X-000	T411301X03X-000	T411301X04X-000	T411301X05X-000	T411301X08X-000
RATED VOLTAGE	250V	250V	250V	60V	30V
RATED CURRENT	4A	4A	4A	4A	2A
POLLUTION DEGREE	3	3	3	3	3
OVERVOLTAGE CATEGORY	II	II	II	II	II
MATERIAL GROUP	II	II	II	II	II
CONTACT RESISTANCE	≤8mΩ	≤8mΩ	≤8mΩ	≤8mΩ	≤8mΩ
INSULATION RESISTANCE	>100MΩ	>100MΩ	>100MΩ	>100MΩ	>100MΩ
DEGREE OF PROTECTION	IP67	IP67	IP67	IP67	IP67
OPERATION TEMPERATURE	-40~85°C	-40~85°C	-40~85°C	-40~85°C	-40~85°C

NOTE:
 1. MATERIAL:
 ITEM NO.1: NUT -BRASS
 ITEM NO.2: HOUSING -PA
 ITEM NO.3: CONTACT -BRASS
 ITEM NO.4: HOUSING BODY: -BRASS
 2. CONTACT FINISH:
 GOLD OVER NICKEL OR SILVER OVER NICKEL
 3. CABLE WIRES:
 18AWG/0.75mm² Max. FOR 2-5 PINS
 20AWG/0.50mm² Max. FOR 8 PINS
 4. ALLDIMENSIONS ARE FOR NOMINAL REFERENCE ONLY UNLESS OTHERWISE STATED
 5. PACKAGING: IPIECE IN A BAG
 6. PN INFORMATION

PIN ARRANGEMENT A-CODE		
T411301X02X-000	T411301X03X-000	T411301X04X-000

T4113012081-000	RPC-M12-MR-8CON-PG9-SHU
T4113011081-000	RPC-M12-MR-8CON-PG7-SHU
T4113012082-000	RPC-M12-MR-8CON-PG9-SH
T4113011082-000	RPC-M12-MR-8CON-PG7-SH
T4113012051-000	RPC-M12-MR-5CON-PG9-SHU
T4113011051-000	RPC-M12-MR-5CON-PG7-SHU
T4113012052-000	RPC-M12-MR-5CON-PG9-SH
T4113011052-000	RPC-M12-MR-5CON-PG7-SH
T4113012041-000	RPC-M12-MR-4CON-PG9-SHU
T4113011041-000	RPC-M12-MR-4CON-PG7-SHU
T4113012042-000	RPC-M12-MR-4CON-PG9-SH
T4113011042-000	RPC-M12-MR-4CON-PG7-SH
T4113012031-000	RPC-M12-MR-3CON-PG9-SHU
T4113011031-000	RPC-M12-MR-3CON-PG7-SHU
T4113012032-000	RPC-M12-MR-3CON-PG9-SH
T4113011032-000	RPC-M12-MR-3CON-PG7-SH
T4113012021-000	RPC-M12-MR-2CON-PG9-SHU
T4113011021-000	RPC-M12-MR-2CON-PG7-SHU
T4113012022-000	RPC-M12-MR-2CON-PG9-SH
T4113011022-000	RPC-M12-MR-2CON-PG7-SH
TE PN	TYPE

T411301XXXX-000
 CONTACT FINISH:
 1: GOLD OVER NICKEL
 2: SILVER OVER NICKEL
 NUMBERS OF PINS:
 02: 2 PINS
 03: 3 PINS
 04: 4 PINS
 05: 5 PINS
 08: 8 PINS
 CABLE OUTLET:
 1: PG7(CABLE FEED: 4-6mm)
 2: PG9(CABLE FEED: 6-8mm)

THIS DRAWING IS A CONTROLLED DOCUMENT.		DWN Nick Pan 24AUG2015	TE Connectivity	
		CHK Kobby Zhao 24AUG2015		
DIMENSIONS: mm		APVD Xiang Xu 24AUG2015	NAME M12 MALE, RA, SHIELDED CONNECTOR A CODE, SCREW TERMINAL	
TOLERANCES UNLESS OTHERWISE SPECIFIED:		PRODUCT SPEC 108-106140	SIZE A2	
0 PLC ±		APPLICATION SPEC 114-137144	CAGE CODE -	
1 PLC ±0.25		WEIGHT -	DRAWING NO. C-T411301XXXX000	
2 PLC ±0.15		RESTRICTED TO -		
3 PLC ±		SCALE 2:1 SHEET 1 OF 1 REV A2		
4 PLC ±		Customer Drawing		
ANGLES ±				
FINISH -				