



Chipsmall Limited consists of a professional team with an average of over 10 year of expertise in the distribution of electronic components. Based in Hongkong, we have already established firm and mutual-benefit business relationships with customers from,Europe,America and south Asia,supplying obsolete and hard-to-find components to meet their specific needs.

With the principle of “Quality Parts,Customers Priority,Honest Operation,and Considerate Service”,our business mainly focus on the distribution of electronic components. Line cards we deal with include Microchip,ALPS,ROHM,Xilinx,Pulse,ON,Everlight and Freescale. Main products comprise IC,Modules,Potentiometer,IC Socket,Relay,Connector.Our parts cover such applications as commercial,industrial, and automotives areas.

We are looking forward to setting up business relationship with you and hope to provide you with the best service and solution. Let us make a better world for our industry!



Contact us

Tel: +86-755-8981 8866 Fax: +86-755-8427 6832

Email & Skype: info@chipsmall.com Web: www.chipsmall.com

Address: A1208, Overseas Decoration Building, #122 Zhenhua RD., Futian, Shenzhen, China





FFSMC Series WRAS APPROVED

Submerged type float switch for reservoir and industrial waste water systems.

This self-weighted cable end float switch is designed for use in turbulent water and water with suspended agglomerates, such as sewer water.

The switch is water resistant up to a depth of 100m, and is insensitive to humidity and condensation, due to the particular design of the switch element. This makes it suitable for applications where there may be wide or rapid fluctuations in ambient or water temperatures. Switching capacity of this new design of self-cleaning switch element is 10A at 250V ac.

The outer casing is manufactured in blow moulded Polyethylene (PEHD) and the switch element is surrounded by non-hygroscopic closed cell expanded polyurethane, hermetically sealing the unit.

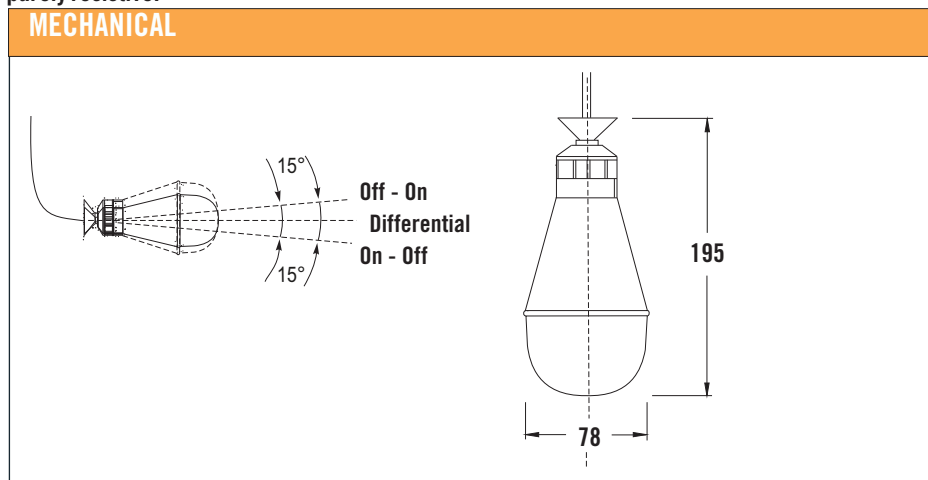
The switch is fitted with an internal weight such that it fixes the centre of gravity, and rotation, close to the cable entry. An external counterweight is supplied to adjust the pivot position.

The moulding shape is rounded to prevent the accumulation of solids, that could cause the float to sink.



| Technical Specifications | | FFSMC10AW | FFSMC10BW |
|----------------------------------|-------|--|-----------|
| Cynergy3 part | | | |
| Contact Form | | N/O | N/C |
| Switching Current Max. Resistive | | 10 A | |
| Switching Current Max. Inductive | | AC | 4A |
| DC | | 1A | |
| Power Rating | AC VA | 750 | |
| | DC W | 180 | |
| Switching Voltage | AC V | 250 | |
| | DC V | 110 | |
| Cable Material | | WRC approved | |
| Cable length | | 5m with protective earth wire included | |
| Body Material | | High Density Polyethylene | |
| Temperature Range | °C | 0 / +55 (WRAS approved for use up to 23°C) | |
| | °F | + 32 / +131 | |
| Max. working pressure | | bar | 10 |

It is necessary to use an auxiliary relay, when switching pump motors or any loads that are not purely resistive.



- Operates in Turbulent Fluids
- Unaffected by Suspended Solids
- WRAS approved
- Cable Mounting
- 100m Depth Capability

Cynergy3 Components Ltd
7 Cobham Road
Ferndown Industrial Estate
Wimborne
Dorset BH21 7PE
Tel: +44 (0) 1202 897969

sales@cynergy3.com

ISO 9001 CERTIFIED

© 2014 Cynergy3 Components, All Rights Reserved. Specifications are subject to change without prior notice. Cynergy3 Components and the Cynergy3 Components logo are trademarks of Cynergy3 Components Limited.

www.cynergy3.com

FFSMC Series WRAS APPROVED



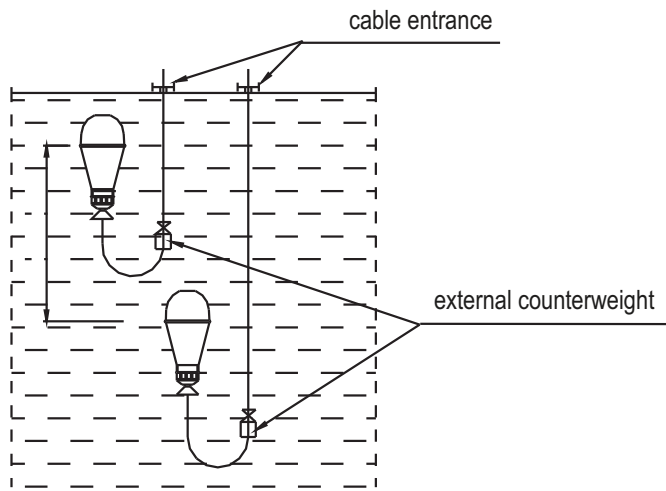
Part Numbering System

FFSMC 10 A W 10

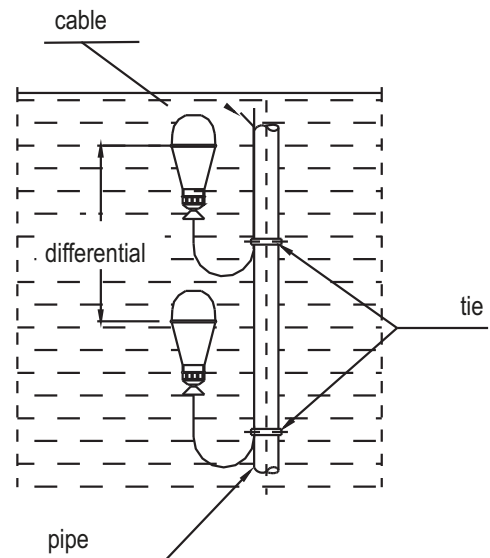
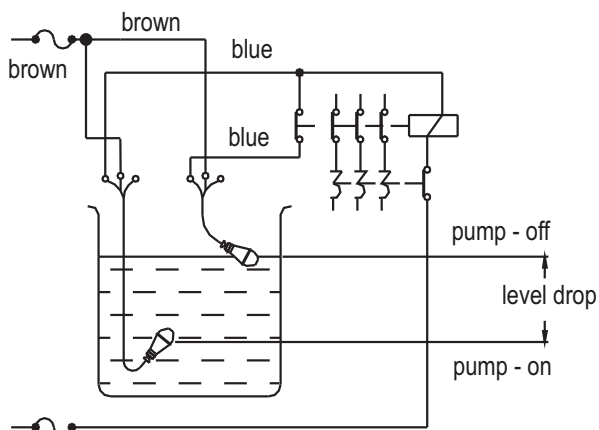
Series _____
 Max. current _____
 Contact Form _____
 A = n/o
 B = n/c
 C = c/o

Cable length in metres:
 Blank = 5M standard
 Cable covering:
 W = WRC approved

Installation



wiring diagram for filling pump



wiring diagram for emptying pump

