



Chipsmall Limited consists of a professional team with an average of over 10 year of expertise in the distribution of electronic components. Based in Hongkong, we have already established firm and mutual-benefit business relationships with customers from,Europe,America and south Asia,supplying obsolete and hard-to-find components to meet their specific needs.

With the principle of “Quality Parts,Customers Priority,Honest Operation,and Considerate Service”,our business mainly focus on the distribution of electronic components. Line cards we deal with include Microchip,ALPS,ROHM,Xilinx,Pulse,ON,Everlight and Freescale. Main products comprise IC,Modules,Potentiometer,IC Socket,Relay,Connector.Our parts cover such applications as commercial,industrial, and automotives areas.

We are looking forward to setting up business relationship with you and hope to provide you with the best service and solution. Let us make a better world for our industry!



Contact us

Tel: +86-755-8981 8866 Fax: +86-755-8427 6832

Email & Skype: info@chipsmall.com Web: www.chipsmall.com

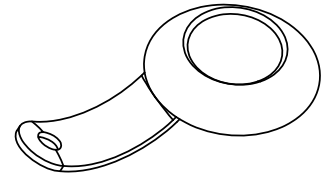
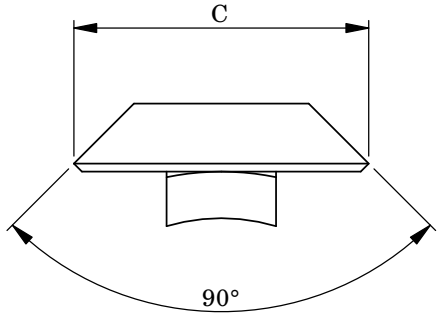
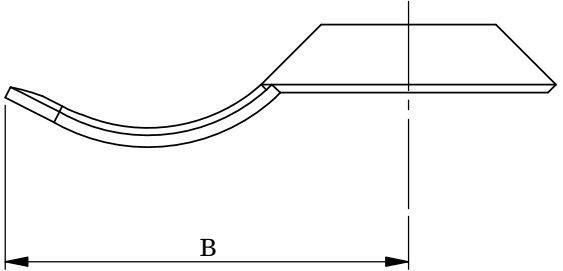
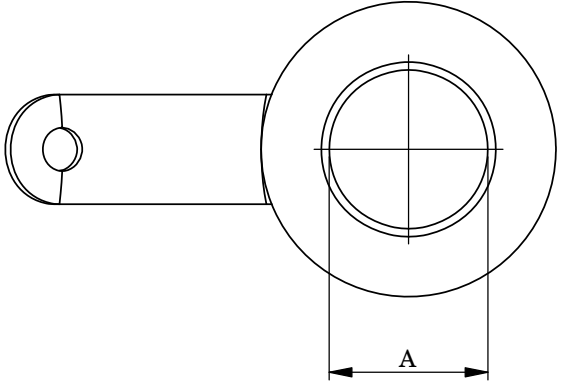
Address: A1208, Overseas Decoration Building, #122 Zhenhua RD., Futian, Shenzhen, China



A B C D E F

NOTES:
 1) STANDARD PACK QUANTITY: 1000.
 2) ALL PRIMARY DIMENSIONS IN mm,
 SECONDARY DIMENSIONS IN INCHES.

REV.	MODIFICATION.	DATE	DRN
A	PROPOSAL DRAWING	28/07/03	IC
01	PRODUCTION RELEASE	17/12/03	IC
02	PACK SIZE WAS 1000	19/08/04	NJB
03	SCN 2004-084	01/09/04	NJB
04	PARTNO. UPDATED	02/09/04	NJB
05	SCN 2004-085	03/09/04	NJB
06	ECN 06-262	13/12/06	SF
07	ECN 07-219	06/12/07	NJB
08	CO2010161	27/03/08	SF
09	CO2011298	11/12/12	SF



Notes:

- 1) Material and RMS numbers are as follows:
 .03 thick Brass (RMS-373)
 Tin Plating (RMS-246)

INFORMATION CONTAINED IN THIS DOCUMENT IS CONFIDENTIAL TO RICHCO INTERNATIONAL Co., Ltd. AND MAY NOT BE DISCLOSED OR REPRODUCED IN WHOLE OR PART WITHOUT THEIR WRITTEN CONSENT

RICHCO, INC.
 WWW.RICHCO-INC.COM

METRIC GENERAL TOLERANCES ±0.40
 ARE PRIMARY UNLESS OTHERWISE STATED
 1 DECIMAL PLACE ±
 2 DECIMAL PLACES ±
 ANGULAR ±1°
 IMPERIAL GENERAL TOLERANCES ±0.015
 ARE FOR REFERENCE UNLESS OTHERWISE
 1 DECIMAL PLACE ±
 2 DECIMAL PLACES ±
 ANGULAR ±1°

PART NUMBER	A	B	C
FG-1	Ø4.2 ±0.25	10.7(REF)	Ø7.8

MATERIAL: SEE NOTES		COLOUR:	
TITLE: GRINDING FINGER		PART No: SEE TABLE	
DRG No: 2003-280	NPR REF: 2003-284		SIZE A4
DRN IC	DATE 28/07/03		CHKD NJB
SCALE 5:1		SHEET No 1 OF 1	

A B C D E F