



Chipsmall Limited consists of a professional team with an average of over 10 year of expertise in the distribution of electronic components. Based in Hongkong, we have already established firm and mutual-benefit business relationships with customers from,Europe,America and south Asia,supplying obsolete and hard-to-find components to meet their specific needs.

With the principle of “Quality Parts,Customers Priority,Honest Operation,and Considerate Service”,our business mainly focus on the distribution of electronic components. Line cards we deal with include Microchip,ALPS,ROHM,Xilinx,Pulse,ON,Everlight and Freescale. Main products comprise IC,Modules,Potentiometer,IC Socket,Relay,Connector.Our parts cover such applications as commercial,industrial, and automotives areas.

We are looking forward to setting up business relationship with you and hope to provide you with the best service and solution. Let us make a better world for our industry!



Contact us

Tel: +86-755-8981 8866 Fax: +86-755-8427 6832

Email & Skype: info@chipsmall.com Web: www.chipsmall.com

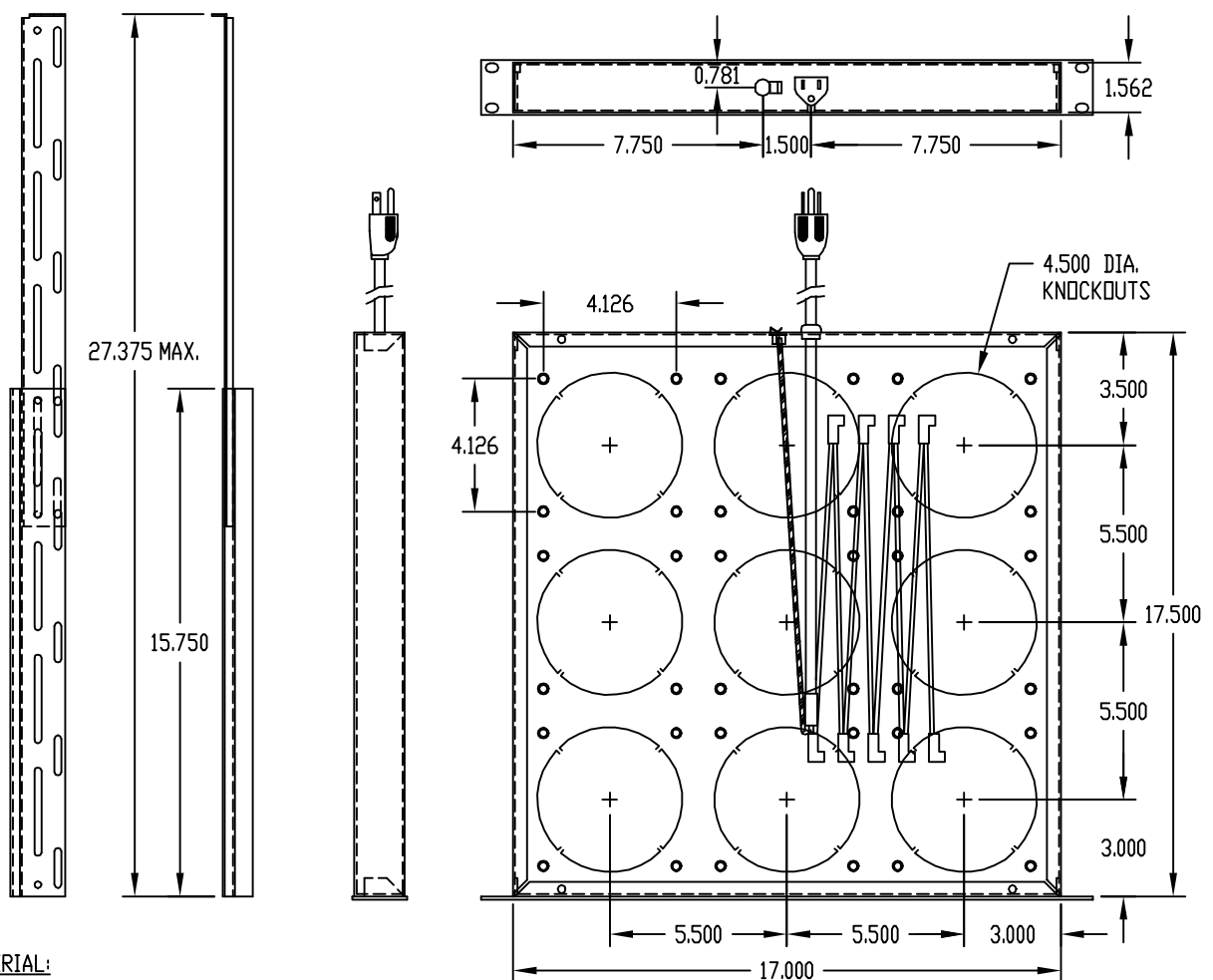
Address: A1208, Overseas Decoration Building, #122 Zhenhua RD., Futian, Shenzhen, China



PART NAME	PART No.
-----------	----------

FAN TRAY ASSEMBLY

FT-1170



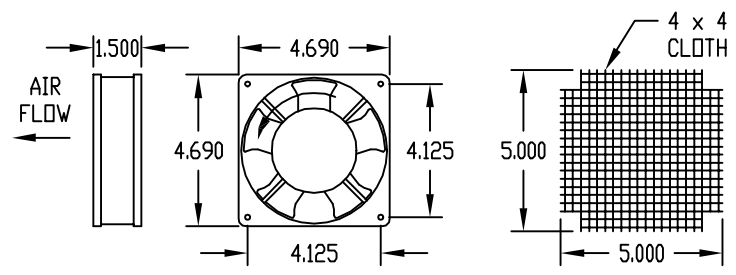
MATERIAL:
 FAN TRAY CHASSIS & SUPPORT ANGLES — 16 GA. STEEL
 PANEL — 12 GA. STEEL

FINISH:
 WHITE TEXTURED OR METALLIC GRAY
 0.278 x 0.406 OBLONG

PART NAME	PART No.
-----------	----------

FAN

FN-1280



FAN HOUSING: ONE-PIECE ZINC DIE CASTING
 FINISH: PLAIN OR BLACK
 IMPELLER: THERMOPLASTIC (UL-94-V0)
 MOUNTING HARDWARE SUPPLIED

POWER	CFM	WATTS	TEMP. RANGE
115 V.A.C.	105	19/17	-20°C. TO +60°C.

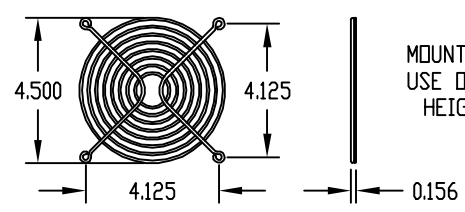
PART NAME	PART No.
-----------	----------

WIRE FORM FINGER GUARD

FG-1281

MATERIAL:
 RIBS — 0.091 DIA. STEEL WIRE
 RINGS — 0.071 DIA. STEEL WIRE

FINISH: ZINC PLATED



MOUNTING HARDWARE SUPPLIED.
 USE OR THIS ITEM INCREASES OVERALL HEIGHT OF FAN TRAY TO 1.875