



Chipsmall Limited consists of a professional team with an average of over 10 year of expertise in the distribution of electronic components. Based in Hongkong, we have already established firm and mutual-benefit business relationships with customers from,Europe,America and south Asia,supplying obsolete and hard-to-find components to meet their specific needs.

With the principle of “Quality Parts,Customers Priority,Honest Operation,and Considerate Service”,our business mainly focus on the distribution of electronic components. Line cards we deal with include Microchip,ALPS,ROHM,Xilinx,Pulse,ON,Everlight and Freescale. Main products comprise IC,Modules,Potentiometer,IC Socket,Relay,Connector.Our parts cover such applications as commercial,industrial, and automotives areas.

We are looking forward to setting up business relationship with you and hope to provide you with the best service and solution. Let us make a better world for our industry!



Contact us

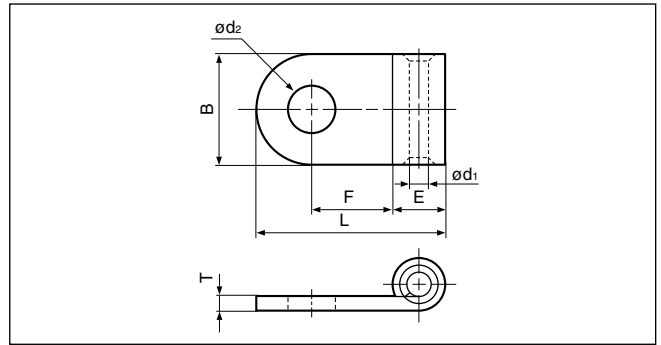
Tel: +86-755-8981 8866 Fax: +86-755-8427 6832

Email & Skype: info@chipsmall.com Web: www.chipsmall.com

Address: A1208, Overseas Decoration Building, #122 Zhenhua RD., Futian, Shenzhen, China



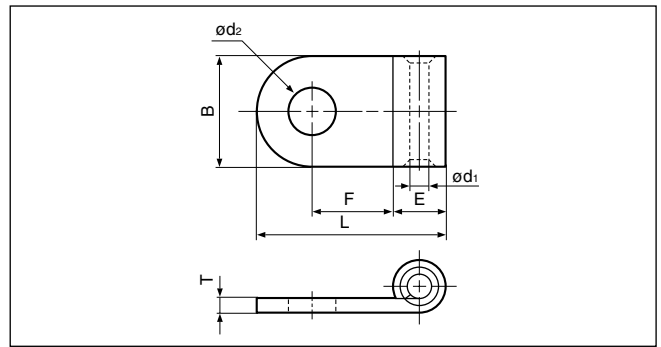
Solderless terminals



Certificate No.: E42024 LR20812

Applicable Wire AWG#(mm ²)	Stud size		Part No.	Standard	Dimensions mm (in.)						Tool No.								Qty/box			
	American	Metric			ød ₂	B	L	F	E	ød ₁	T	YG-2216	YG-1614	YG-1210	YG-8S	YG-14S	YA-1	YA-2		YA-4	YA-5	VF-1, E-4+ YEG-150
22 to 16 (0.25 to 1.65)	5-6	3.5	FG1.25-S3		3.7 (.146)	8.0 (.315)	14.3 (.563)	7.0 (.276)	3.4 (.134)	1.7 (.067)	0.8 (.031)											1,000
	8	4	FG1.25-S4		4.3 (.169)	8.0 (.315)	14.3 (.563)	7.0 (.276)														
	8	4	FG1.25-4		4.3 (.169)	9.6 (.378)	15.5 (.610)	7.4 (.291)														
	10	5	FG1.25-S5		5.3 (.209)	8.0 (.315)	14.3 (.563)	7.0 (.276)														
	10	5	FG1.25-5		5.3 (.209)	9.6 (.378)	15.5 (.610)	7.4 (.291)														
	1/4	6	FG1.25-6		6.4 (.252)	9.6 (.378)	15.5 (.610)	7.4 (.291)														
16 to 14 (1.04 to 2.63)	3-4	3	FG2-S3		3.2 (.126)	7.6 (.299)	13.2 (.520)	5.4 (.213)	4.1 (.161)	2.3 (.091)	0.8 (.031)											500
	3-4	3	FG2-3		3.2 (.126)	9.6 (.378)	16.2 (.638)	7.4 (.291)														
	5-6	3.5	FG2-3.7		3.7 (.146)	9.6 (.378)	16.2 (.638)	7.4 (.291)														
	8	4	FG2-S4		4.3 (.169)	7.6 (.299)	13.2 (.520)	5.4 (.213)														
	8	4	FG2-4		4.3 (.169)	9.6 (.378)	16.2 (.638)	7.4 (.291)														
	10	5	FG2-5		5.3 (.209)	9.6 (.378)	16.2 (.638)	7.4 (.291)														
12 to 10 (2.63 to 6.64)	5-6	3.5	FG5.5-3.5		3.7 (.146)	9.6 (.378)	17.8 (.701)	7.4 (.291)	5.6 (.220)	3.4 (.134)	1.0 (.039)											500
	8	4	FG5.5-4		4.3 (.169)	9.6 (.378)	17.8 (.701)	7.4 (.291)														
	10	5	FG5.5-5		5.3 (.209)	9.6 (.378)	17.8 (.701)	7.4 (.291)														
	1/4	6	FG5.5-6		6.4 (.252)	9.6 (.378)	17.8 (.701)	7.4 (.291)														
8 (6.64 to 10.52)	10	5	FG8-5		5.3 (.209)	12.6 (.496)	23.0 (.906)	9.5 (.374)	7.1 (.280)	4.5 (.177)	1.2 (.047)											250
	1/4	6	FG8-6		6.4 (.252)	12.6 (.496)	23.0 (.906)	9.5 (.374)														
	5-16	8	FG8-8		8.4 (.331)	15.5 (.610)	28.5(1.122)	13.6 (.535)														
	3/8	10	FG8-10		10.5 (.413)	15.5 (.610)	28.5(1.122)	13.6 (.535)														
6 (10.52 to 16.78)	10	5	FG14-5		5.3 (.209)	12.6 (.496)	25.0 (.984)	9.7 (.382)	9.0 (.354)	5.8 (.228)	1.5 (.059)											200
	1/4	6	FG14-6		6.4 (.252)	12.6 (.496)	25.0 (.984)	9.7 (.382)														
	5/16	8	FG14-8		8.4 (.331)	15.8 (.622)	30.5(1.201)	13.5 (.531)														
	3/8	10	FG14-10		10.5 (.413)	15.8 (.622)	30.5(1.201)	13.5 (.531)														
4 (16.78 to 26.66)	10	5	FG22-5		5.3 (.209)	14.0 (.551)	28.0(1.102)	9.6 (.378)	11.5 (.453)	7.7 (.303)	1.8 (.071)											100
	1/4	6	FG22-6		6.4 (.252)	14.0 (.551)	28.0(1.102)	9.6 (.378)														
	5/16	8	FG22-8		8.4 (.331)	17.5 (.689)	34.0(1.339)	13.8 (.543)														
	3/8	10	FG22-10		10.5 (.413)	17.5 (.689)	34.0(1.339)	13.8 (.543)														

Note:1) The part numbers indicated in the above table are for products with a brazed seam.
 When ordering products with a nominal size of 1.25 to 5.5 with a butted seam, add the prefix "WS" to the part number (ex. FG2-4 → **WSFG2-4**).
 2) Delivery lead times may vary depending on the product. Contact JST for details.



Applicable Wire AWG#(mm ²)	Stud size		Part No.	Standard	Dimensions mm (in.)						Tool No.								Qty/box						
	American	Metric			ød ₂	B	L	F	E	ød ₁	T	YG-2216	YG-1614	YG-1210	YG-8S	YG-14S	YA-1	YA-2		YA-4	YA-5	YF-1, E-4+	YEG-150		
2 (26.66 to 42.42)	1/4	6	FG38-6	UL SR	6.4 (.252)	18.2 (.717)	36.0(1.417)	13.6 (.535)	13.3 (.524)	9.4 (.370)	1.8 (.071)														
	5/16	8	FG38-8		8.4 (.331)	18.2 (.717)	36.0(1.417)	13.6 (.535)																	
	3/8	10	FG38-10		10.5 (.413)	18.2 (.717)	36.0(1.417)	13.6 (.535)																	
1/0 (42.42 to 60.57)	1/4	6	FG60-6	UL SR	6.4 (.252)	22.0 (.866)	44.0(1.732)	17.6 (.693)	15.5 (.610)	11.4 (.449)	2.0 (.079)														
	5/16	8	FG60-8		8.4 (.331)	22.0 (.866)	44.0(1.732)	17.6 (.693)																	
	3/8	10	FG60-10		10.5 (.413)	22.0 (.866)	44.0(1.732)	17.6 (.693)																	
	1/2	12	FG60-12		13.0 (.512)	22.0 (.866)	44.0(1.732)	17.6 (.693)																	
2/0 (60.57 to 76.28)	1/4	6	FG70-6	UL SR	6.4 (.252)	23.8 (.937)	47.0(1.850)	17.5 (.689)	17.5 (.689)	13.3 (.524)	2.0 (.079)														
	5/16	8	FG70-8		8.4 (.331)	23.8 (.937)	47.0(1.850)	17.5 (.689)																	
	3/8	10	FG70-10		10.5 (.413)	23.8 (.937)	47.0(1.850)	17.5 (.689)																	
	1/2	12	FG70-12		13.0 (.512)	23.8 (.937)	47.0(1.850)	17.5 (.689)																	
3/0 (76.28 to 96.3)	1/4	6	FG80-6	UL SR	6.4 (.252)	27.0(1.063)	51.0(2.008)	18.1 (.713)	19.5 (.768)	14.5 (.571)	2.3 (.091)														
	5/16	8	FG80-8		8.4 (.331)	27.0(1.063)	51.0(2.008)	18.1 (.713)																	
	3/8	10	FG80-10		10.5 (.413)	27.0(1.063)	51.0(2.008)	18.1 (.713)																	
	1/2	12	FG80-12		13.0 (.512)	27.0(1.063)	51.0(2.008)	18.1 (.713)																	
4/0 (96.3 to 117.2)	5/16	8	FG100-8	UL SR	8.4 (.331)	28.6(1.126)	54.0(2.126)	17.7 (.697)	22.3 (.878)	16.4 (.646)	2.6 (.102)														
	3/8	10	FG100-10		10.5 (.413)	28.6(1.126)	54.0(2.126)	17.7 (.697)																	
	1/2	12	FG100-12		13.0 (.512)	28.6(1.126)	54.0(2.126)	17.7 (.697)																	

Note:1) Delivery lead times may vary depending on the product. Contact JST for details.