



Chipsmall Limited consists of a professional team with an average of over 10 year of expertise in the distribution of electronic components. Based in Hongkong, we have already established firm and mutual-benefit business relationships with customers from,Europe,America and south Asia,supplying obsolete and hard-to-find components to meet their specific needs.

With the principle of “Quality Parts,Customers Priority,Honest Operation,and Considerate Service”,our business mainly focus on the distribution of electronic components. Line cards we deal with include Microchip,ALPS,ROHM,Xilinx,Pulse,ON,Everlight and Freescale. Main products comprise IC,Modules,Potentiometer,IC Socket,Relay,Connector.Our parts cover such applications as commercial,industrial, and automotives areas.

We are looking forward to setting up business relationship with you and hope to provide you with the best service and solution. Let us make a better world for our industry!



Contact us

Tel: +86-755-8981 8866 Fax: +86-755-8427 6832

Email & Skype: info@chipsmall.com Web: www.chipsmall.com

Address: A1208, Overseas Decoration Building, #122 Zhenhua RD., Futian, Shenzhen, China



Handle Series FG11

Manageable functional handle.

Material and surface:

Polyamide PA 6, black with fine structure.

Function elements:

Type 1: Flat push button with red or green LED.

Type 2: Raised push button with red or green LED (convenient in case of a longer duration of activation).

Connection A:

8-pin connector at the mounting surface of the handle. Coupling with 10 m ready made cable available as accessories.

Connection B:

The 5 m connection cable leading out of the mounting surface of the handle shank.

Protection class:

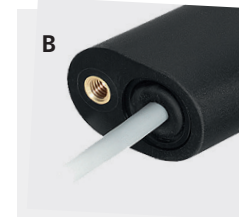
IP 65 (for version A with screwed coupling).



Typ



Connection



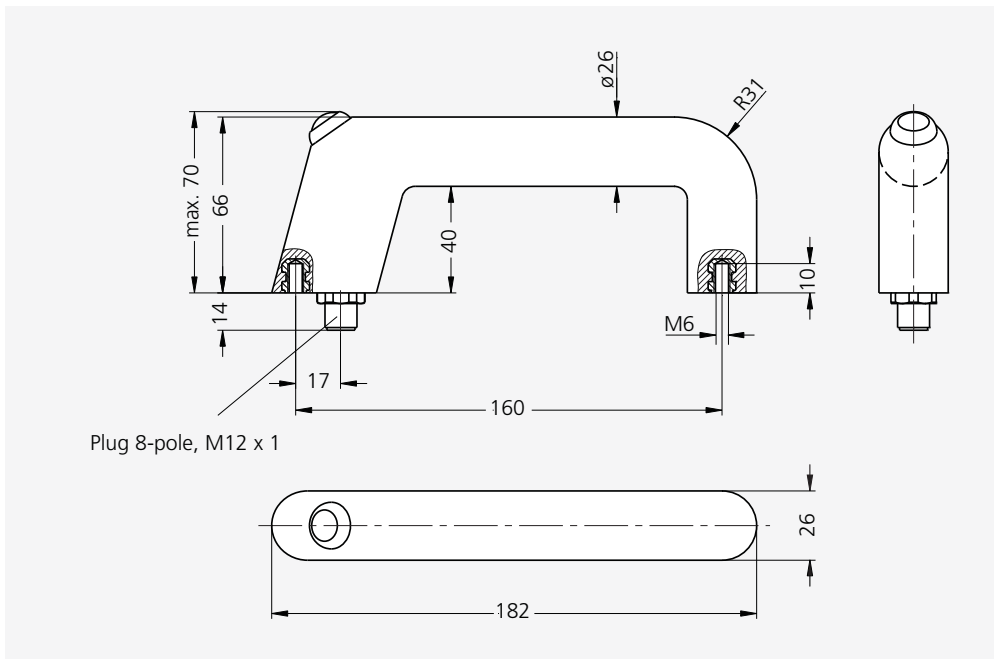
| Typ | Color | A | Connection | |
|-----|-------|-----------|-----------------|-----------------|
| | | | A Plug | B Cable |
| | | Order no. | Order no. | Order no. |
| 1 | green | 160 | FG11-3SG.160.84 | FG11-3KG.160.84 |
| | red | 160 | FG11-3SR.160.84 | FG11-3KR.160.84 |
| 2 | green | 160 | FG11-4SG.160.84 | FG11-4KG.160.84 |
| | red | 160 | FG11-4SR.160.84 | FG11-4KR.160.84 |

Handle accessories

Coupling with cable 8-pole (M12 x 1)

| | L | Order no. |
|--|------|--------------|
| | 10 m | FZ-KS.G08.10 |





Plug 8-pole, M12 x 1

Technical data

FG11

| | |
|--|-----------------------------------|
| <p>Push button, LED (1 NC + 1 NO contact)</p> | |
| <p>Push button</p> | <p>24 V AC/DC max. 1 A</p> |
| <p>Operating voltage LED</p> | <p>24 V DC (12 V DC optional)</p> |
| <p>Connection type</p> | <p>8-pole, M12 x 1</p> |
| <p>Connector assignment (Plug side view)</p> | |
| <p>Mounting cutout</p> | |



Door solenoid tumbler see page 304–305.

All dimensions in mm.