



Chipsmall Limited consists of a professional team with an average of over 10 year of expertise in the distribution of electronic components. Based in Hongkong, we have already established firm and mutual-benefit business relationships with customers from,Europe,America and south Asia,supplying obsolete and hard-to-find components to meet their specific needs.

With the principle of “Quality Parts,Customers Priority,Honest Operation,and Considerate Service”,our business mainly focus on the distribution of electronic components. Line cards we deal with include Microchip,ALPS,ROHM,Xilinx,Pulse,ON,Everlight and Freescale. Main products comprise IC,Modules,Potentiometer,IC Socket,Relay,Connector.Our parts cover such applications as commercial,industrial, and automotives areas.

We are looking forward to setting up business relationship with you and hope to provide you with the best service and solution. Let us make a better world for our industry!



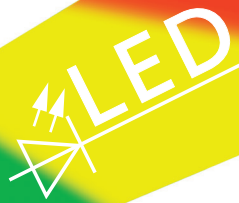
Contact us

Tel: +86-755-8981 8866 Fax: +86-755-8427 6832

Email & Skype: info@chipsmall.com Web: www.chipsmall.com

Address: A1208, Overseas Decoration Building, #122 Zhenhua RD., Futian, Shenzhen, China





Handle Series FG13-LH

Functional handle with a handle ledge illuminatable over a large area. The LED colours red, yellow and green can be used to display the current operating status of the machine for example.

Material and surface:

Handle shanks made of glass ball blasted aluminium (AlMgSi 0.5). Anodized in black.
 Handle ledge made of extruded hollow aluminium section AlMgSi 0.5; glass ball blasted and anodized in natural colour.
 Illuminatable plastic insert made of extruded, translucent PMMA.

Design features:

Pleasant feel thanks to the generously rounded handle ledge bottom.

Function elements:

Two push buttons, as NO contacts.
 Type FG13-LH15 additionally with emergency stop (two NC contacts).

Connection A:

12-pole connector in the mounting surface of the handle shank.
 Coupling with 10 m ready-made cable available as accessory.

Connection B:

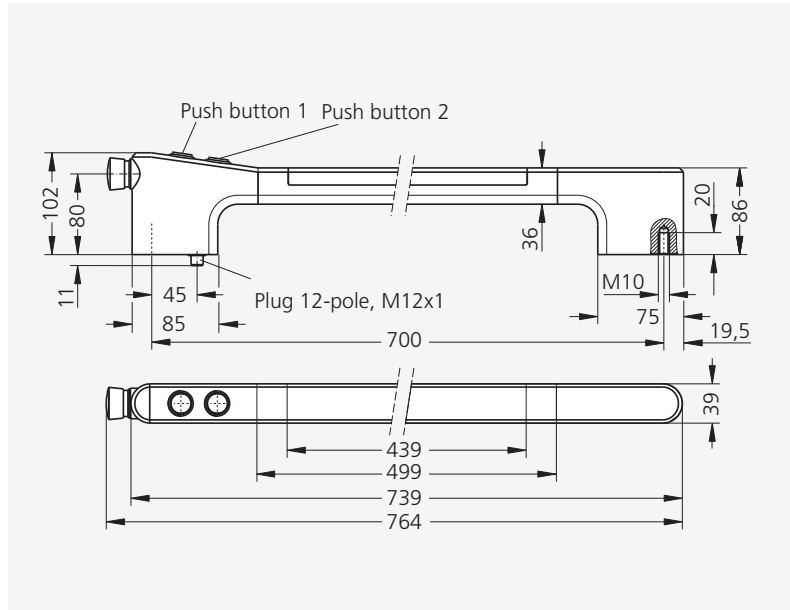
5 m connection cable leading out of the mounting surface of the handle shank.



Protection class:

IP 65 with coupling screwed on.

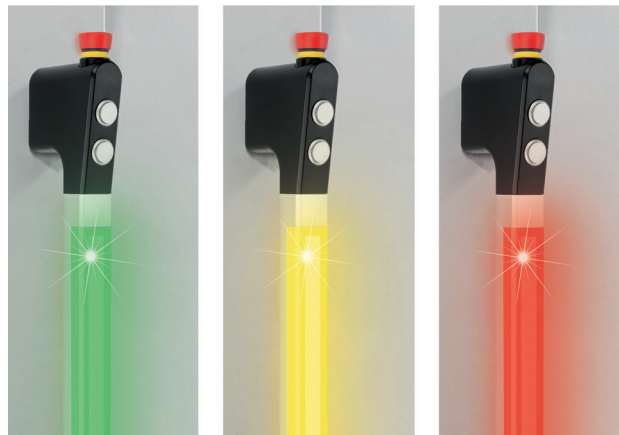
Special designs:

Other handle lengths and switching element assignments, as well as white handle ledge lighting on request.



	FG13-LH12 with 2 push buttons	FG13-LH15
	without emergency stop	with emergency stop
Connection	Order no.	Order no.
A Plug 	FG13-LH12.A700.S11	FG13-LH15.A700.S11
B Cable 	FG13-LH12.B700.S11	FG13-LH15.B700.S11

Other handle lengths on request



Technical data

Typ	FG13-LH12	FG13-LH15
Emergency stop (2 NC contact)	without	
Push button 1 (1 NO contact)		
Push button 2 (1 NO contact)		
LED board		
Emergency stop	-	1-42 V AC/DC 100 mA
Push button		24 V AC/DC max. 1 A
Operating voltage LED		24 V DC (12 V DC optional)
Connection type		12-pole M12x1
Connector assignment (Plug side view)		
Mounting cutout		

Handle accessories



10 m cable welded to coupling

Order no.

Order no.

12-pole (M12 x 1)

FZ-KS.G12.10

FZ-KS.W12.10

All dimensions in mm.