



Chipsmall Limited consists of a professional team with an average of over 10 year of expertise in the distribution of electronic components. Based in Hongkong, we have already established firm and mutual-benefit business relationships with customers from,Europe,America and south Asia,supplying obsolete and hard-to-find components to meet their specific needs.

With the principle of "Quality Parts,Customers Priority,Honest Operation,and Considerate Service",our business mainly focus on the distribution of electronic components. Line cards we deal with include Microchip,ALPS,ROHM,Xilinx,Pulse,ON,Everlight and Freescale. Main products comprise IC,Modules,Potentiometer,IC Socket,Relay,Connector.Our parts cover such applications as commercial,industrial, and automotives areas.

We are looking forward to setting up business relationship with you and hope to provide you with the best service and solution. Let us make a better world for our industry!



Contact us

Tel: +86-755-8981 8866 Fax: +86-755-8427 6832

Email & Skype: info@chipsmall.com Web: www.chipsmall.com

Address: A1208, Overseas Decoration Building, #122 Zhenhua RD., Futian, Shenzhen, China





Handle Series FG15

Material and surface:
Handle shanks and handle ledge made of stainless steel 1.4305. Surface vibration ground, blasted and electro-polished with a semi-gloss finish. Push button made of stainless steel.

Type A:
With curved handle ledge and one shank.

Type B:
With straight handle ledge and 2 shanks.

Function elements:
One push button, as a change-over contact.

Connection:
5 m connection cable leading out of the screw-on surface of the handle shank.

Protection class:
IP 65.

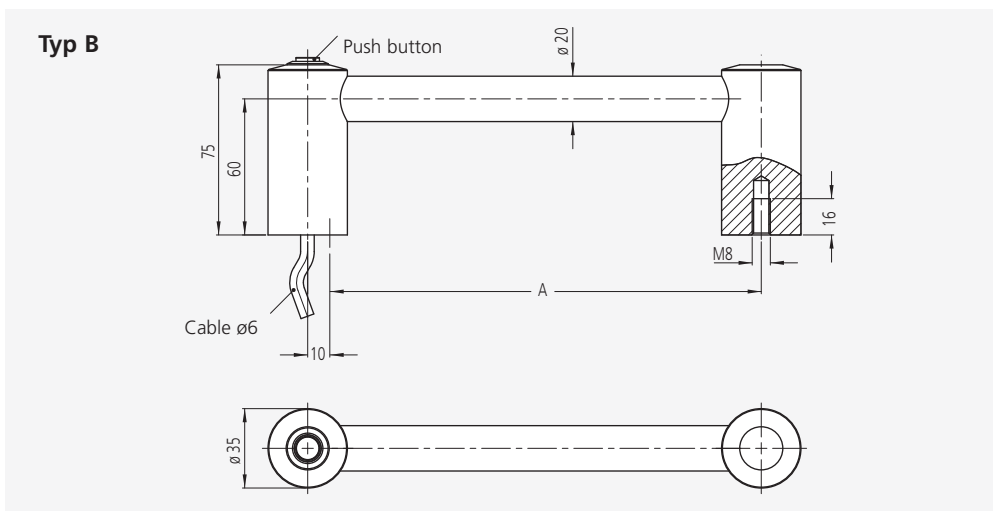
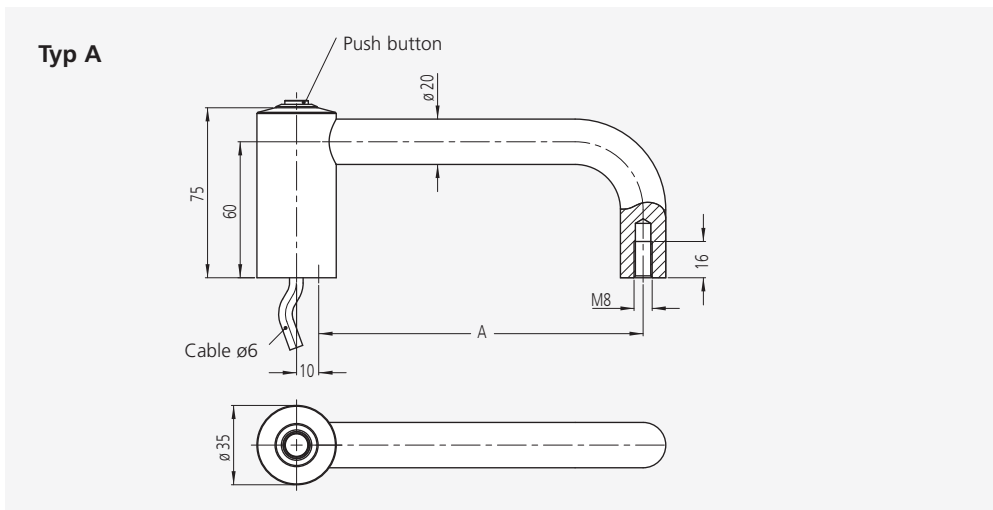
Note:
Other handle lengths and push button assignments possible. Opposite handle without electrical function by request.

Connection



| | Typ A | Typ B |
|-----|-----------------|-----------------|
| | Ledge curved | Ledge straight |
| A* | Order no. | Order no. |
| 150 | FG15-A01.150.36 | - |
| 180 | - | FG15-B01.180.36 |

* Other handle lengths on request



Technical data

| | |
|---|-----------------------------------|
| <p>Push button (change-over contact)</p> | |
| <p>Push button</p> | <p>24 V AC/DC max. 1 A</p> |
| <p>Operating voltage LED</p> | <p>24 V DC (12 V DC optional)</p> |
| <p>Connection type</p> | <p>8-pole cable</p> |
| <p>Mounting cutout</p> | |

All dimensions in mm.