



Chipsmall Limited consists of a professional team with an average of over 10 year of expertise in the distribution of electronic components. Based in Hongkong, we have already established firm and mutual-benefit business relationships with customers from,Europe,America and south Asia,supplying obsolete and hard-to-find components to meet their specific needs.

With the principle of “Quality Parts,Customers Priority,Honest Operation,and Considerate Service”,our business mainly focus on the distribution of electronic components. Line cards we deal with include Microchip,ALPS,ROHM,Xilinx,Pulse,ON,Everlight and Freescale. Main products comprise IC,Modules,Potentiometer,IC Socket,Relay,Connector.Our parts cover such applications as commercial,industrial, and automotives areas.

We are looking forward to setting up business relationship with you and hope to provide you with the best service and solution. Let us make a better world for our industry!



Contact us

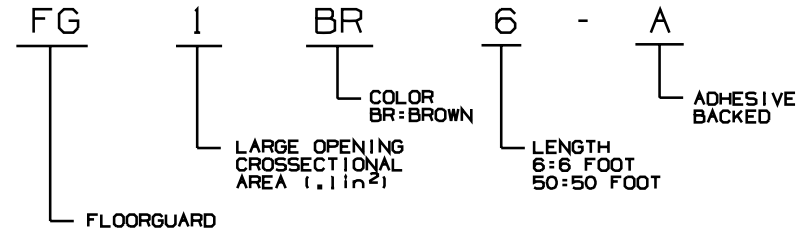
Tel: +86-755-8981 8866 Fax: +86-755-8427 6832

Email & Skype: info@chipsmall.com Web: www.chipsmall.com

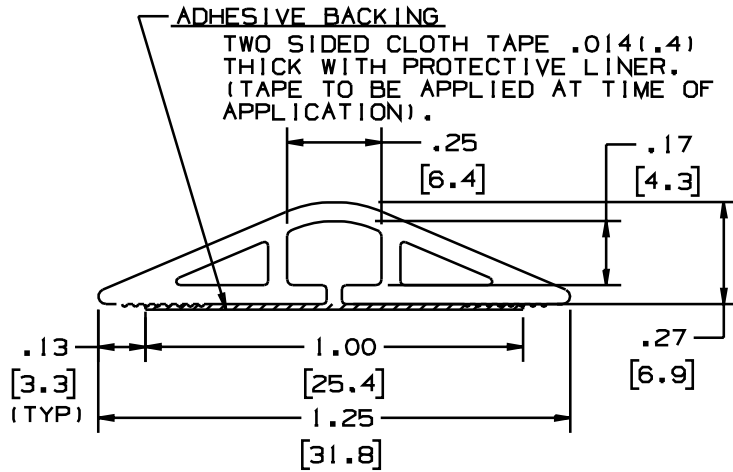
Address: A1208, Overseas Decoration Building, #122 Zhenhua RD., Futian, Shenzhen, China



NO WARRANTY, EXPRESSED OR IMPLIED, IS MADE BY PANDUIT WITH RESPECT TO ADHESIVE BOND PERFORMANCE AMONG OTHER THINGS, THE CONDITIONS UNDER WHICH THESE PRODUCTS MAY BE APPLIED AND/OR THE SURFACE TO WHICH THEY MAY BE APPLIED ARE BEYOND PANDUIT'S CONTROL.



NOTES: COLOR CODE: BR=BROWN, YL=SAFETY YELLOW, EI=ELECTRICAL IVORY, BL=BLACK
 LENGTH: 6 FOOT $\pm .2$ in. (1.83 m $\pm .5$ mm)
 50 FOOT $\pm .2$ in. (15.24 m $\pm .5$ mm)
 WEIGHT: .08 lb/ft, (.115 Kg/m)



INSTRUCTIONS

- CUT FLOORGUARD TO DESIRED LENGTH.
- INSERT WIRES INTO FLOORGUARD.
- APPLY TAPE TO FLOORGUARD. (TAPE IS TO BE CENTRALLY LOCATED ON THE FLOORGUARD AS SHOWN ON THE DRAWING.)
- REMOVE RELEASE LINER FROM TAPE AND PLACE FLOORGUARD ON A CLEAN, DRY SURFACE.
- APPLY PRESSURE TO ENTIRE LENGTH OF FLOORGUARD TO OBTAIN MAXIMUM ADHESION.

WPXD.MISC.DUCT.CUST-2
 DWG NAME LAYER NO.
 FG1 20

CUSTOMER DRAWING

CAD FILENAME/LAYERS
 DIMENSIONS IN PARENTHESIS ARE IN METRIC

PANDUIT CORP. TINLEY PARK, ILLINOIS

FLOORGUARD FG1

UNLESS OTHERWISE SPECIFIED,
 DIMENSIONAL TOLERANCES ARE:
 (.X) : (.XXX) :
 (.XX) : .05 (|.3) ANGLES :

UNLESS OTHERWISE SPECIFIED,
 ALL DIMENSIONS ARE GIVEN
 IN INCHES, THIRD ANGLE PROJECTION.

DRAWN BY
 DW
 DATE
 12-4-90
 CHK'D
 CEF

MAT'L:
 FLEXIBLE
 VINYL

SCALE
 NONE
 DRAWING NO.
 34153-2
 DWG
 A
 SIZE

REV	DATE	BY	CHK	DESCRIPTION	ECN	R	CUST	SUP
R	12-5-90	DW	CEF	RELEASED TO PRODUCTION	34153-2	R	WJB	