



Chipsmall Limited consists of a professional team with an average of over 10 year of expertise in the distribution of electronic components. Based in Hongkong, we have already established firm and mutual-benefit business relationships with customers from,Europe,America and south Asia,supplying obsolete and hard-to-find components to meet their specific needs.

With the principle of “Quality Parts,Customers Priority,Honest Operation,and Considerate Service”,our business mainly focus on the distribution of electronic components. Line cards we deal with include Microchip,ALPS,ROHM,Xilinx,Pulse,ON,Everlight and Freescale. Main products comprise IC,Modules,Potentiometer,IC Socket,Relay,Connector.Our parts cover such applications as commercial,industrial, and automotives areas.

We are looking forward to setting up business relationship with you and hope to provide you with the best service and solution. Let us make a better world for our industry!



Contact us

Tel: +86-755-8981 8866 Fax: +86-755-8427 6832

Email & Skype: info@chipsmall.com Web: www.chipsmall.com

Address: A1208, Overseas Decoration Building, #122 Zhenhua RD., Futian, Shenzhen, China



Handle series FG4-E

Handles with electrical switching functions by keypad.

Material and surface:

Handle shanks of polyamide PA 6, glass ball reinforced, black, similar to RAL 9005, half-matt with fine structure. Connecting tube of profiled aluminium AlMgSi 0.5; glass ball blasted, natural coloured anodized.

Versions:

Keypad with 2 resp. 4 free optional push buttons. Both buttons on top are additionally fitted with LEDs. Button labelling as standard with F1 to F4 or individually on customers request.

Connection:

12-pole, coupling with 10 m ready made cable as accessories available.

Protection class:

The protection class conforms to IP 65 with the coupling attached.

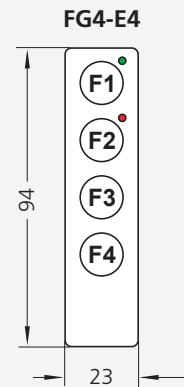
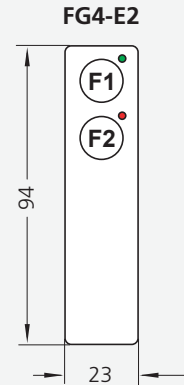
Note:

Other handle lengths on request. Handle versions without switch function see page 33.



product design award

2006



Version keypad		with 2 buttons FG4-E2	with 4 buttons FG4-E4
A*	L	Order no.	Order no.
350	410	FG4-E2.350.11	FG4-E4.350.11

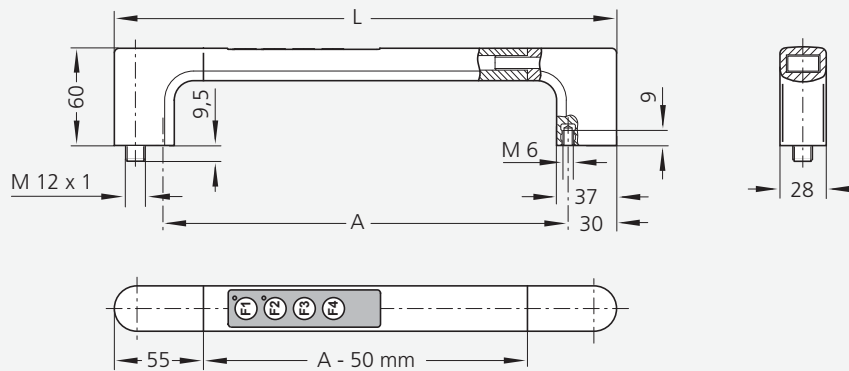
* Other handle lengths on request

Handle accessories

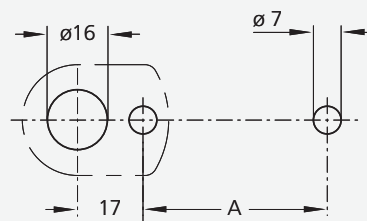


10 m cable welded to coupling	Order no.
12-pole (M12 x 1)	FZ-KS.W12.10





Mounting cutout



Technical data

Typ	FG4-E2	FG4-E4
Button F1		
Button F2		
Button F3	without	
Button F4	without	
Switching voltage	min. 100 mV AC/DC max. 25 V AC / 42 V DC	
Switching current	max. 100 mA	
Switching power	max. 0,6 W	
Operating voltage LED	24 V DC (12 V DC optional)	
Connection type	12-pole, M12 x 1	
Connector assignment (Plug side view)		



Door solenoid tumbler see page 304–305.