



Chipsmall Limited consists of a professional team with an average of over 10 year of expertise in the distribution of electronic components. Based in Hongkong, we have already established firm and mutual-benefit business relationships with customers from,Europe,America and south Asia,supplying obsolete and hard-to-find components to meet their specific needs.

With the principle of "Quality Parts,Customers Priority,Honest Operation,and Considerate Service",our business mainly focus on the distribution of electronic components. Line cards we deal with include Microchip,ALPS,ROHM,Xilinx,Pulse,ON,Everlight and Freescale. Main products comprise IC,Modules,Potentiometer,IC Socket,Relay,Connector.Our parts cover such applications as commercial,industrial, and automotives areas.

We are looking forward to setting up business relationship with you and hope to provide you with the best service and solution. Let us make a better world for our industry!



Contact us

Tel: +86-755-8981 8866 Fax: +86-755-8427 6832

Email & Skype: info@chipsmall.com Web: www.chipsmall.com

Address: A1208, Overseas Decoration Building, #122 Zhenhua RD., Futian, Shenzhen, China



Handle series FG5

Material and surface:

Tube \varnothing 30 x 1.5 mm of aluminium AlMgSi 0.5; black powder coated with fine structure. Tube holder and cap of polyamide PA 6, black with fine structure.

Function element:

Emergency stop.

FG5-20:

2 NC contacts, unlighted.

FG5-21:

1 NC contact and illumination by red LED.

Connecting:

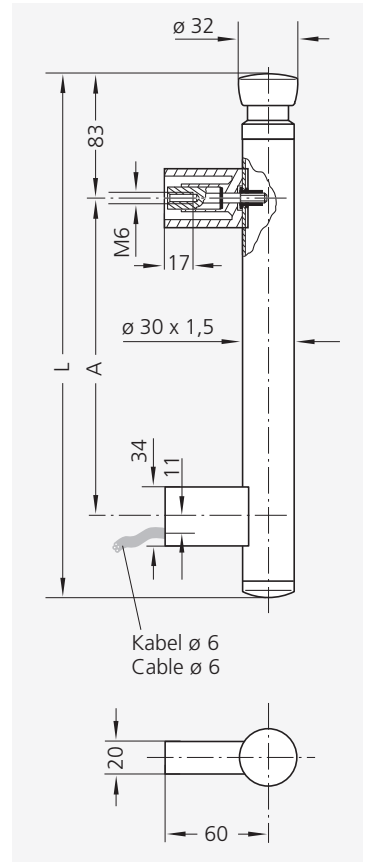
Connecting cable 5 m lead out of the tube holder.

Protection class:

The protection class of the functional handle conforms to IP 65.

Note:

Other handle lengths on request.



		Typ FG5-20 without illumination	Typ FG5-21 with illumination
A	L	Order no.	Order no.
200	342	FG5-20.200.54	FG5-21.200.54
300	442	FG5-20.300.54	FG5-21.300.54
400	542	FG5-20.400.54	FG5-21.400.54

Technical data

Typ	FG5-20	FG5-21
Connection		
Switching voltage	1-42 V AC/DC	
Switching current	0,01-100 mA	
Operating voltage LED	-	5-30 V DC



Door solenoid tumbler see page 304-305.