



Chipsmall Limited consists of a professional team with an average of over 10 year of expertise in the distribution of electronic components. Based in Hongkong, we have already established firm and mutual-benefit business relationships with customers from,Europe,America and south Asia,supplying obsolete and hard-to-find components to meet their specific needs.

With the principle of "Quality Parts,Customers Priority,Honest Operation,and Considerate Service",our business mainly focus on the distribution of electronic components. Line cards we deal with include Microchip,ALPS,ROHM,Xilinx,Pulse,ON,Everlight and Freescale. Main products comprise IC,Modules,Potentiometer,IC Socket,Relay,Connector.Our parts cover such applications as commercial,industrial, and automotives areas.

We are looking forward to setting up business relationship with you and hope to provide you with the best service and solution. Let us make a better world for our industry!



## Contact us


Tel: +86-755-8981 8866 Fax: +86-755-8427 6832

Email & Skype: info@chipsmall.com Web: www.chipsmall.com

Address: A1208, Overseas Decoration Building, #122 Zhenhua RD., Futian, Shenzhen, China



THIS COPY IS PROVIDED ON A RESTRICTED BASIS AND IS NOT TO BE USED IN ANY WAY DETRIMENTAL TO THE INTERESTS OF PANDUIT CORP.

PART NUMBER	LENGTH (MINIMUM)	PACKAGE TYPE	 WEIGHT
FG5**5.0-A	5 FEET	LENGTH	.456 lb/ft [.69 g/mm]
FG5**25.0-A	25 FEET	COIL	.456 lb/ft [.69 g/mm]





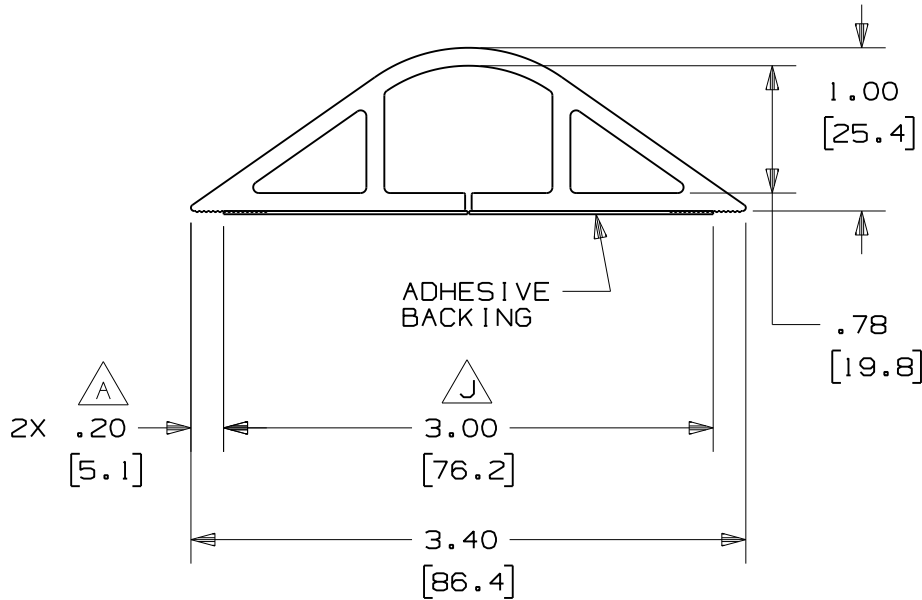









**NOTES:**

- SEE CURRENT CATALOG FOR ADDITIONAL PART NUMBER SUFFIXES TO INDICATE COLOR AND/OR PACKAGE QUANTITY.
- DIMENSIONS IN PARENTHESIS ARE IN METRIC.
- NOMINAL WALL THICKNESS IS .12 [3.0]
- TO APPLY PART:
  - CUT FLOORGUARD TO DESIRED LENGTH.
  - INSERT WIRES INTO FLOORGUARD.
  - APPLY TAPE TO FLOORGUARD. (TAPE IS TO BE CENTRALLY LOCATED ON THE FLOORGUARD AS SHOWN ON THE DRAWING)
  - REMOVE RELEASE LINER FROM TAPE AND PLACE FLOORGUARD ON A CLEAN, DRY SURFACE.
  - APPLY PRESSURE TO ENTIRE LENGTH OF FLOORGUARD TO OBTAIN MAXIMUM ADHESION.
- NO WARRANTY, EXPRESSED OR IMPLIED, IS MADE BY PANDUIT WITH RESPECT TO ADHESIVE BOND PERFORMANCE. AMONG OTHER THINGS, THE CONDITIONS UNDER WHICH THESE PRODUCTS MAY BE APPLIED AND/OR THE SURFACE TO WHICH THEY MAY BE APPLIED ARE BEYOND PANDUIT'S CONTROL.



CAD FILENAME/LAYERS D39735BA\_DC\_FG5/07B

-	-----	---	---	K. [.XX] TOLERANCE WAS .05 [1.3]	-----	---	---			 CORP. TINLEY PARK, ILLINOIS
-	-----	---	---	J. ADDED TAPE WIDTH DIMENSION I. SCALE WAS FULL	-----	---	---			
3	12.30.10	BDK	JBN	H. COMBINED AND MODIFIED NOTES G. REVISED PART NUMBERS AND LENGTH	39735-02	PATR	RTF1			FLOORGUARD (FG5) CUSTOMER DRAWING
-	-----	---	---	RELEASED TO PRODUCTION	-----	---	---			 UNLESS OTHERWISE SPECIFIED, DIMENSIONAL TOLERANCES ARE:
-	-----	---	---	F. REVISED PART GEOMETRY E. REVISED PART WEIGHT	-----	---	---			 ALL DIMENSIONS ARE GIVEN IN INCHES, THIRD ANGLE PROJECTION.
2	04-28-09	BDK	JBN	D. REVISED LENGTH: 25 FOOT WAS 50 FOOT C. REVISED PART NUMBER (DROP "S")	39735-02	JBN	RTF1			DRAWN BY BDK
1	06-25-08	BDK	PM	B. REVISED UNIT NOTATION AND NOTE 2 A. REVISED TAPE WIDTH						MAT'L: FLEXIBLE VINYL
R	3-17-08	BDK	PM	DRAWING RELEASED						SCALE NONE
REV	DATE	BY	CHK	DESCRIPTION	ECN	CHK	CUST	SUP		DRAWING NO. 39735-02
										DWG A SIZE