



Chipsmall Limited consists of a professional team with an average of over 10 year of expertise in the distribution of electronic components. Based in Hongkong, we have already established firm and mutual-benefit business relationships with customers from,Europe,America and south Asia,supplying obsolete and hard-to-find components to meet their specific needs.

With the principle of “Quality Parts,Customers Priority,Honest Operation,and Considerate Service”,our business mainly focus on the distribution of electronic components. Line cards we deal with include Microchip,ALPS,ROHM,Xilinx,Pulse,ON,Everlight and Freescale. Main products comprise IC,Modules,Potentiometer,IC Socket,Relay,Connector.Our parts cover such applications as commercial,industrial, and automotives areas.

We are looking forward to setting up business relationship with you and hope to provide you with the best service and solution. Let us make a better world for our industry!



## Contact us

Tel: +86-755-8981 8866 Fax: +86-755-8427 6832

Email & Skype: info@chipsmall.com Web: www.chipsmall.com

Address: A1208, Overseas Decoration Building, #122 Zhenhua RD., Futian, Shenzhen, China



### Handle Series FG7

**Material and surface:**

Handle ledge  $\varnothing$  30 x 5 mm aluminium round tube AlMgSi 0.5; fine ground and black anodized. Handle shanks of polyamide PA 6, black with fine structure.

**Function elements:**

2 Push buttons up to 1A with LED. Type FG7-05 with additional emergency stop (2 NC contacts).

**Connection A:**

Coupling positioned at the tubular axle of the handle ledge in the handle shank.

**Connection B:**

Coupling positioned in the mounting surface of the handle shank.

**Connection C:**

The 5 m connection cable is guided out of the mounting surface of the handle shank.

The connection A and C are available with straight and chamfer handle shanks, as left and right-hand versions for use with double doors.

**Protection class:**

IP 65 (for the connecting A and B with screwed coupling).

**Note:**

Coupling with 10 m ready made cable available as accessories. Other handle lengths, anodized versions and illuminated emergency stop button on request.



**U7-30.G**

Counter-handle without electrical function elements s. p. 41.



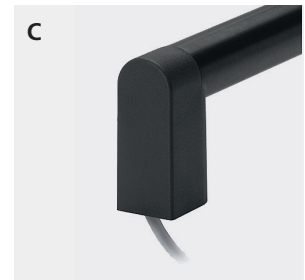
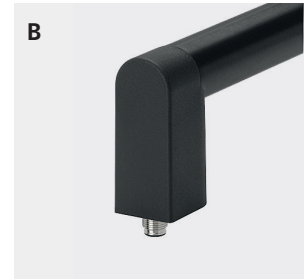
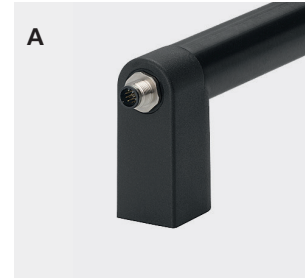
**Typ FG7-05.G**  
with emergency stop



**Typ FG7-02.L**

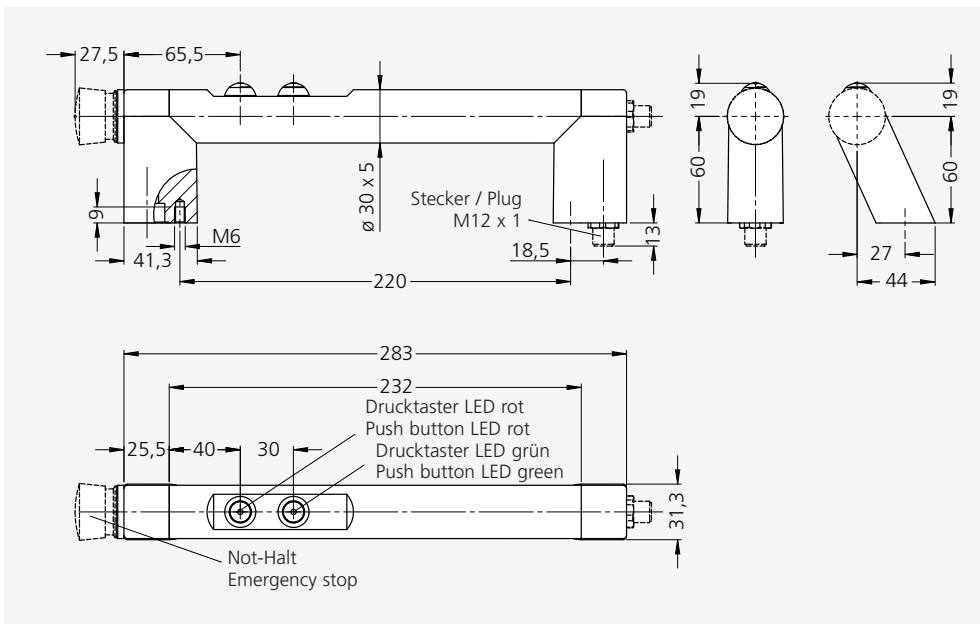


**Connection**



|            |          | Switching version                     |                                    |
|------------|----------|---------------------------------------|------------------------------------|
|            |          | without emergency stop, 2 push button | with emergency stop, 2 push button |
| Connecting |          | Order no.                             | Order no.                          |
| A          | straight | FG7-02.GA220.04                       | FG7-05.GA220.04                    |
|            | left     | FG7-02.LA220.04                       | FG7-05.LA220.04                    |
|            | right    | FG7-02.RA220.04                       | FG7-05.RA220.04                    |
| B          | straight | FG7-02.GB220.04                       | FG7-05.GB220.04                    |
|            | straight | FG7-02.GC220.04                       | FG7-05.GC220.04                    |
| C          | left     | FG7-02.LC220.04                       | FG7-05.LC220.04                    |
|            | right    | FG7-02.RC220.04                       | FG7-05.RC220.04                    |
|            |          | 8-pole (M12 x 1)                      | 12-pole (M12 x 1)                  |
|            |          | Bestell-Nr. Order no.                 | Bestell-Nr. Order no.              |
|            | 10 m     | FZ-KS.G08.10                          | FZ-KS.G12.10                       |
|            |          | FZ-KS.W08.10                          | FZ-KS.W12.10                       |





### Technical data

| Typ   | FG7-02                     | FG7-05                 |
|---|----------------------------|------------------------|
|   | with 2 push buttons        | add. emergency stop    |
| <b>Emergency stop</b><br>(2 NC contacts)              | without                    |                        |
| <b>Push button LED red</b><br>(1 change-over contact) |                            |                        |
| <b>Push button LED green</b><br>(1NO contact)         |                            |                        |
| <b>Emergency stop</b>                                 | -                          | 1-42 V AC/DC<br>100 mA |
| <b>Push buttons</b>                                   | 24 V AC/DC<br>max. 1 A     |                        |
| <b>Operating voltage LED</b>                          | 24 V DC (12 V DC optional) |                        |
| <b>Connection type</b>                                | 8-pole<br>M12 x 1          | 12-pole<br>M12 x 1     |
| <b>Connector assignment</b><br>(Plug side view)       |                            |                        |
| <b>Mounting cutout</b>                                |                            |                        |

All dimensions in mm.



Door solenoid tumbler see page 304–305.